

## Summary Sheet | CARESTREAM Touch Ultrasound Systems | E14C4 Transducer



Figure 1: E14C4 Transducer

### Frequency Range

- 4-14 MHz

### Uses

- Endovaginal imaging
- Transrectal imaging
- Interventional procedures
- Spectral, CFM and Power Doppler examinations
- Tissue Harmonic imaging
- Elastography

### Benefits

- Integrated one-touch Smart Select transducer activation and programmable mode select button
- High frequency gives excellent near-field details
- Puncture guide is ideal for needle and catheter insertion
- Sleek design of the transducer minimizes patient discomfort
- Built-in control button

- Transducer and puncture guide are compatible with modern reprocessing methods

### Cleaning, Disinfecting and Sterilizing

E14C4 can be reprocessed using methods listed under *Specifications*.

- E14C4 can be supplied with an optional watertight plug lid that fits over the connector plug to protect it during reprocessing procedures (including washing) that involve liquids. When the lid is attached, the transducers can be fully immersed. The lid must not be attached when gas processing methods are used.

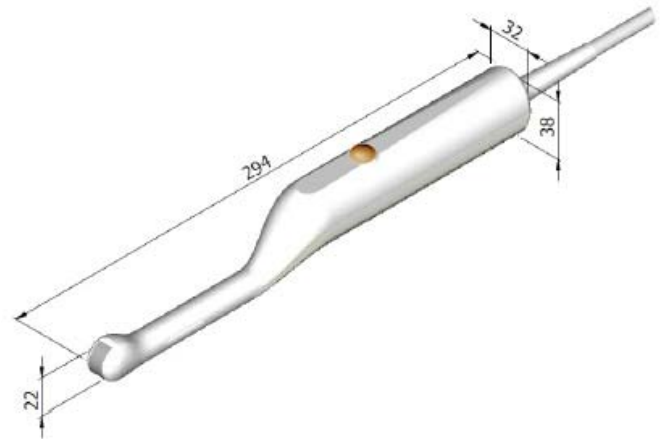


Figure 2: Dimensions (mm)