



CS 9300

A POINT-OF-CARE CT WITH ALL THE THINGS THAT MATTER

For fast, accurate diagnosis and a point-of-care CT system that is easy to implement and afford, choose the new CS 9300. Featuring a range of fields of view and resolutions, the unit is ideal for visualizing sinus and temporal bone structures – and all with a fraction of the radiation dose of conventional multi-detector CT exams. Brought to you by Carestream, a medical imaging leader for over a century.



CS 9300

BENEFIT FROM BETTER PATIENT CARE

The CS 9300 system for point-of-care CT imaging enables faster, more accurate diagnosis and treatment. Your patients will welcome the convenience of immediate imaging, faster diagnosis and the ability to begin the correct treatment more quickly.

This advanced system delivers high quality images at a fraction of the radiation dose of conventional multi-detector CT systems – an especially critical factor for pediatrics and patients requiring multiple CTs. Patients will also appreciate the open, modern, upright design, which minimizes the potential of claustrophobia.



RAISE YOUR DIAGNOSTIC POSSIBILITIES – AND GAIN FROM YOUR INVESTMENT

With lower start-up and operating costs than similar point-of-care CT systems and conventional multi-detector CT systems, the CS 9300 provides practices a solid return on investment. The CS 9300 is attractive for practices with low CT scan volumes and enables larger practices the ability to purchase more than unit to optimize practice workflow and patient convenience. Thanks to its compact design, the CS 9300 fits virtually anywhere—and since no dedicated room is required, you can maximize your return on investment even further.

A customized practice ROI analysis is available upon request.

A COMPLETE SOLUTION YOU CAN COUNT ON

A no-surprise, turnkey system, the CS 9300 is compact, simple to install and implement into your practice, and includes the following:

- Cone beam CT scanner, computer, imaging software, positioning aids, quality control testing tools
- Comprehensive CT accreditation support and medical physics services
- Compatibility with most image-guided surgery systems
- Remote image storage and access from any PC
- Onsite and online operator training, installation, shipping, parts, and labor warranty

Various options and extended service programs are also available.



CARESTREAM FACTS

- Carestream has served radiologists and dentists since 1896 when the first photographic paper for diagnostic imaging was introduced
- Carestream was named Frost and Sullivan's 2010 Medical Imaging Company of the Year
- Carestream has installed more than 4,000 point-of-care CT systems since 2007

SUPERB IMAGE QUALITY, LOW RADIATION DOSE

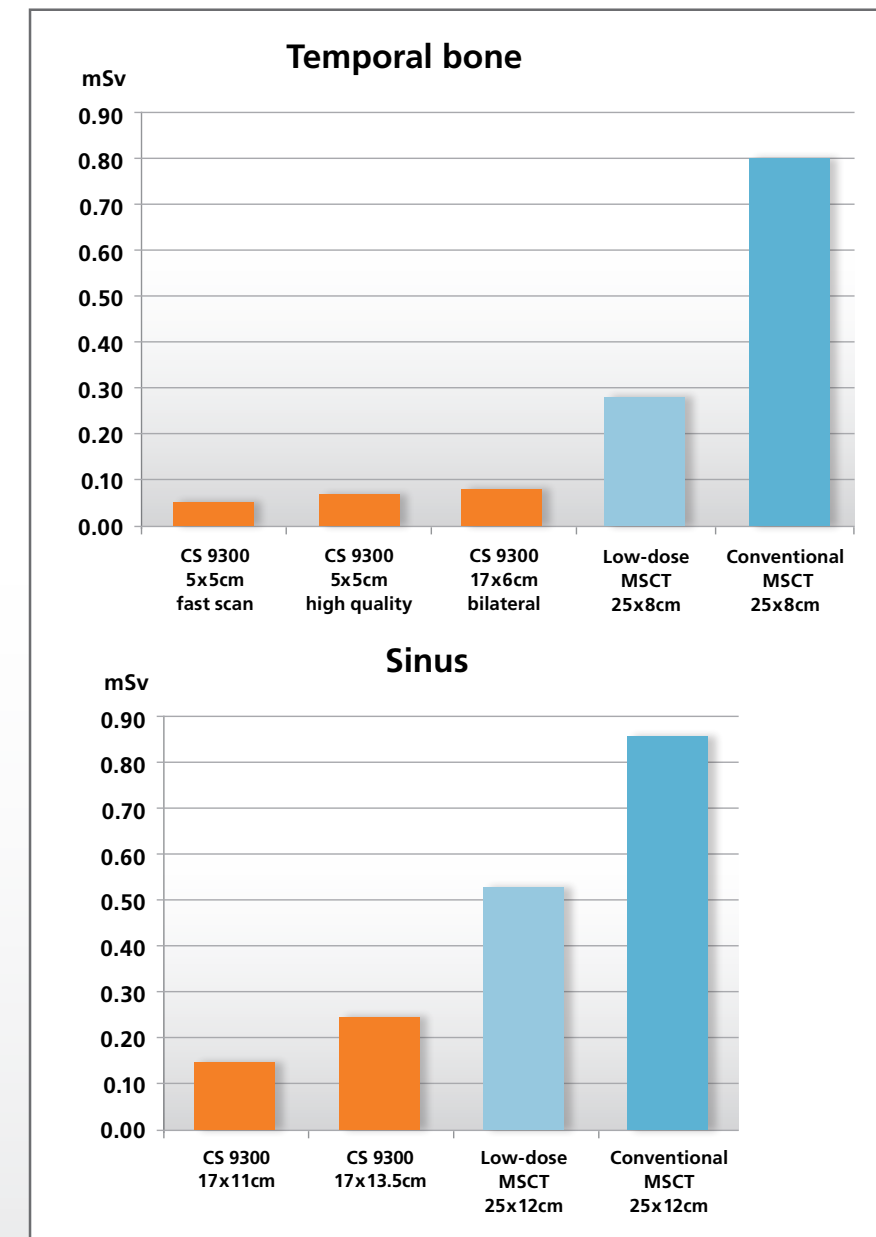
SINUS AND TEMPORAL BONE FIELDS OF VIEW

FIELDS OF VIEW SCANNING TIME RESOLUTION	REGION OF INTEREST	SAMPLE IMAGES	RECOMMENDED APPLICATIONS
Sinus 17 x 13.5 cm 28 sec. 0.3 – 0.5 mm			<ul style="list-style-type: none"> Paranasal sinus evaluation Chronic sinusitis with and without polyps Image guided sinus surgery Craniofacial evaluation
Sinus 17 x 11 cm 12 or 20 sec. 0.25 - 0.5 mm			<ul style="list-style-type: none"> Chronic sinusitis with and without polyps Treatment follow up (17x11 fast) Pediatric sinus evaluation (17x11 fast)
Temporal bone 17 x 6 cm 20 sec. 0.20 - 0.5 mm			<ul style="list-style-type: none"> Cochlear implant evaluation and follow up Otosclerosis and cholesteatoma Superior semicircular canal dehiscence Image guided temporal surgery
Temporal bone 8 x 8 cm 20 sec. 0.20 - 0.3 mm			<ul style="list-style-type: none"> Chronic otitis media Cholesteatoma Superior semicircular canal dehiscence
Temporal bone 5 x 5 cm 12 or 20 sec. 0.09 - 0.2 mm			<ul style="list-style-type: none"> Cochlear implant evaluation and follow up Otosclerosis and cholesteatoma Superior semicircular canal dehiscence

The system's superior isotropic, spatial resolution enables good visualization of sinus structures, sub-millimeter structures at air-bone interfaces, and middle and inner ear components and interfaces, such as the tympanic membrane, ossicles, semicircular canals, mastoid air cells, and cochlea.¹

Cone-beam CT technology is also useful for applications requiring reduced metal artifacts, such as cochlear implant imaging.²

Effective Dose Comparison of Carestream CS 9300³ Cone Beam CT (CBCT) and Multi-Slice CT (MSCT)^{4,5,6} Systems



With up to 94% less radiation than conventional MSCT units and up to 84% less radiation than low-dose MSCT units, the CS 9300 is ideal for patients, especially pediatric patients and those patients who require multiple CT scans.

The CS 9300's selectable fields of view, resolutions, and scan times ensure practitioners achieve optimal radiation levels, delivering a dose consistent with the ALARA (As Low as Reasonably Achievable) principle.

¹ Xu J, Reh D, Carey J, Mahesh M, Siewerdsen JH. Technical assessment of a cone beam CT scanner for otolaryngology imaging: image quality, dose and technique protocols. Med. Phys. Accepted for publication, July 2012.

² Gupta R, et al. Experimental flat-panel high-spatial-resolution volume CT of the temporal bone. Amer J Neuroradiol 2004;25:1417-1424.

³ Ludlow JB. Effective doses of CS 9300 cone beam CT system conducted in June 2011. ICRP 2007 tissue weights used. Absorbed dose calculated for bone marrow, thyroid, esophagus, skin, bone surface, salivary glands, brain, lymphatic nodes, extrathoracic airway, muscle, oral mucosa.

⁴ Faccioli et al. Radiol Med. 114: 1308-1319, 2009.

⁵ Niu et al. AJNR 31: 226-229, 2010.

⁶ Ludlow JB, Ivanovic M. Oral Surg Oral Med Oral Pathol Oral Radiol Endod. 106: 106-114, 2008

CONVENIENCE COMES AS STANDARD

Compact and easy to install, the CS 9300 is ideal for small and large practices alike. Fully motorized, it enables easy adjustments while positioning tools ensure optimal placement.

The system's open design and face-to-face positioning increase patient comfort and reduce the risk of motion. It is designed to accommodate patients of all sizes, and exams can be performed while the patient is sitting, standing or in a wheelchair.

Fast scan times (12-28 seconds) minimize patient motion and the risk of retakes, while multiple pre-set sinus and temporal bone programs reduce set-up and operator effort. Intuitive imaging software also makes image viewing and management easy.

EXPERT ACCREDITATION SUPPORT

CT accreditation is now required for reimbursement from Medicare, Medicaid and select private insurance companies. Carestream's unique and comprehensive accreditation support program includes one-day on-site accreditation support and unlimited online and telephone support for one year.

It also includes in-depth application support, policies and procedures, radiation safety training, third-party medical physicist services, quality control testing support and final review of submitted application materials. Ongoing accreditation support is included with Carestream's optional extended service program.

CARESTREAM FACTS

- Accreditation support is provided by a Carestream employee with over 5 years of CT accreditation experience
- Over 60 years experience making reliable x-ray units for maximum uptime
- More than 25 years of digital medical imaging experience, including digital radiography, printing, PACS and archiving solutions
- Acclaimed trust by radiologists for secure data recovery with over 30 million medical imaging exams archived with Carestream solutions

DEPENDABLE IMAGE STORAGE AND ACCESS ANYWHERE, ANYTIME.

CARESTREAM Vue for Cloud Services provide remote image storage and access from any PC.

- Simple, secure, regulatory-compliant image access anywhere through an Internet connection
- Remote long-term storage and disaster recovery monitored 24/7 by IT experts with 99.9% uptime
- Easy collaboration between clinicians at different locations and institutions, including referring physicians and radiologists
- State-of-the art cloud platform with over 30 million studies managed globally



CS 9300

Technical Specifications

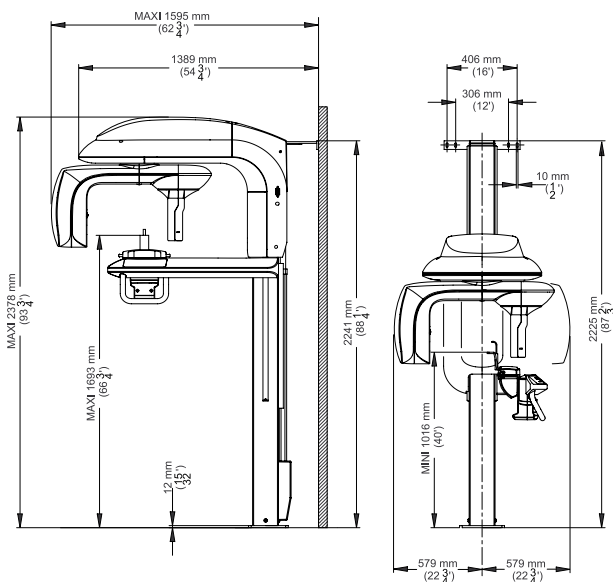
3D CBCT Modality

Sensor type	TFT
Scan mode	Continuous and pulse
Scanning time	12-28 seconds (+/- 10%)
Voxel size (µm)	90 to 500
Field of view (cm)	5x5, 8x8, 10x5, 10x10, 17x6, 17x11, 17x13.5
Reconstruction time	Less than 2 minutes based on the recommended computer system configuration requirements

X-Ray Generator and Other Specifications

Tube voltage	60 - 90 kV
Tube current	2 - 15 mA
Frequency	140 kHz
Tube focal spot	0.7 mm (IEC 60336)
Input voltage (AC)	110/110/130V – 50/60Hz
Weight	160 kg (353 lb.)
Footprint	1158 (L) x 1595 (D) x 2378 mm (H)

Includes true panoramic imaging capabilities. An optional cephalometric module is also available.
Warning: Class 2 laser product. Do not stare into the beam.



TRAINING AND SUPPORT, GUARANTEED

Thanks to Carestream's own training, installation and phone support team and a broad network of Carestream-certified field engineers throughout the US, you be sure of an excellent installation and training experience and maximum equipment uptime.

And the optional extended service plan includes equipment maintenance and repair services, software upgrades, remote image archiving and image access, online learning, 24-hour on-site response times and continued accreditation support. Carestream is with you every step of the way.

A NAME YOU CAN TRUST

Carestream Health was formed in 2007, following the acquisition of the Eastman Kodak Health Group by Onex Corporation. A leader in health imaging for over a century, Carestream owns over 1,000 patents for medical and dental imaging and information technology. With 7,300 employees serving tens of thousands of customers – from small healthcare practices to large hospitals in 150 countries around the world – you can be sure of continued support, wherever you are.

For more information, call **888-477-4359** or visit www.carestream.com/ent-allergy

Carestream