

*Kodak Point of Care CR systems*

DICOM Conformance Statement

Kodak QC

Software Version 2.5

Sep 30, 2007

Document #DD000102

Revision 2.0

## Table of Contents

<b>ACRONYMS, ABBREVIATIONS AND SYMBOLS</b>	<b>5</b>
<b>1. INTRODUCTION</b>	<b>6</b>
1.1. Overview	6
1.2. References	6
1.3. Definitions	6
<b>2. IMPLEMENTATION MODEL</b>	<b>8</b>
2.1. Image Transfer	8
2.1.1. Application Data Flow	8
2.1.2. Functional Definitions of Application Entities	9
2.1.3. Sequencing of Real-World Activities	9
2.2. Storage Commitment	9
2.2.1. Application Data Flow	9
2.2.2. Functional Definitions of Application Entities	10
2.2.3. Sequencing of Real-World Activities	10
2.3. Modality Worklist	10
2.3.1. Application Data Flow	10
2.3.2. Functional Definitions of Application Entities	10
2.3.3. Sequencing of Real-World Activities	11
2.4. Print	11
2.4.1. Application Data Flow	11
2.4.2. Functional Definitions of Application Entities	12
2.4.3. Sequencing of Real-World Activities	12
2.5. MEDIA Storage	12
2.5.1. Application Data Flow	12
<b>3. KODAK QC IMAGE TRANSFER AE SPECIFICATION</b>	<b>13</b>
3.1. Association Establishment Policy	13
3.1.1. General	13
3.1.2. Number of Associations	13
3.1.3. Asynchronous nature	13
3.1.4. Implementation Identifying Information	13
3.2. Association Initiation by Real World Activity	13
3.2.1. Export Image Request	13
3.3. Association Acceptance Policy	14

<b>4.</b>	<b>KODAK QC STORAGE COMMITMENT AE SPECIFICATION</b>	<b>15</b>
4.1.	Association Establishment Policy	15
4.1.1.	General	15
4.1.2.	Number of Associations	15
4.1.3.	Asynchronous nature	15
4.1.4.	Implementation Identifying Information	15
4.2.	Association Initiation by Real World Activity	15
4.2.1.	Storage commitment Request	15
4.3.	Association Acceptance Policy	16
<b>5.</b>	<b>KODAK QC MWL AE SPECIFICATION</b>	<b>16</b>
5.1.	Association Establishment Policy	16
5.1.1.	General	16
5.1.2.	Number of Associations	16
5.1.3.	Asynchronous nature	16
5.1.4.	Implementation Identifying Information	16
5.2.	Association Initiation by Real World Activity	16
5.2.1.	Modality Worklist Retrieval Request	16
5.3.	Association Acceptance Policy	17
<b>6.</b>	<b>KODAK QC PRINT AE SPECIFICATION</b>	<b>18</b>
6.1.	Association Establishment Policy	18
6.1.1.	General	18
6.1.2.	Number of Associations	18
6.1.3.	Asynchronous nature	18
6.1.4.	Implementation Identifying Information	18
6.2.	Association Initiation by Real World Activity	18
6.2.1.	Print Request	18
6.3.	Association Acceptance Policy	20
<b>7.</b>	<b>MEDIA STORAGE AE</b>	<b>21</b>
7.1.1.	Media Storage Application Profiles	21
<b>8.</b>	<b>COMMUNICATIONS PROFILES</b>	<b>21</b>
8.1.	Supported Communication Stacks	21
8.2.	OSI Stack	21
8.3.	TCP/IP Stack	21
8.3.1.	API	21
8.3.2.	Physical Media Support	21
8.4.	Point to Point Stack	22
<b>9.</b>	<b>CONFIGURATION</b>	<b>23</b>
9.1.	KODAK QC IMAGE TRANSFER AE Configuration	23

9.2.	<b>KODAK QC STORAGE COMMIMENT AE Configuration</b>	23
9.3.	<b>KODAK QC MWL AE Configuration</b>	23
9.4.	<b>KODAK QC PRINT AE Configuration</b>	23
10.	<b>SUPPORT OF EXTENDED CHARACTER SETS</b>	23
11.	<b>ANNEX A - INFORMATION OBJECT DEFINITIONS</b>	24
11.1.	<b>Computed Radiography (CR) Information Object Definition</b>	24
11.1.1.	<b>Information Object Definitions For CR Image IOD</b>	24

## Acronyms, Abbreviations and Symbols

ACC	American College of Cardiology
ACR	American College of Radiology
ASCII	American Standard Code for Information Interchange
AE	Application Entity
ANSI	American National Standards Institute
CD	Compact Disc
CR	Computed Radiography
DICOM	Digital Imaging and COmmunications in Medicine
DIMSE	DICOM Message Service Element
DIMSE-C	DICOM Message Service Element-Composite
DIMSE-N	DICOM Message Service Element-Normalized
FSC	File Set Creator
HD	Hard Disc
HIS	Hospital Information System
HL7	Health Level 7
IE	Information Entity
IOD	Information Object Definition
ISO	International Standard Organization
MOD	Magneto Optical Disk
MWL	Modality Worklist
MWM	Modality Worklist Management
NEMA	National Electrical Manufacturers Association
PDU	Protocol Data Unit
RIS	Radiology Information System
SC	Secondary Capture
S.COMM	Storage Commitment
SCP	Service Class Provider
SCU	Service Class User
SOP	Service Object Pair
TCP/IP	Transmission Control Protocol/Internet Protocol
UID	Unique Identifier

# 1.Introduction

This document is a DICOM Conformance Statement for the Kodak QC system.

This document is intended to provide the reader with the knowledge of how to integrate this product within a DICOM compliant hospital network. It details DICOM Service Classes and Communication Protocols that are supported in Kodak QC.

Kodak QC supports following service classes:

- Storage Service Class (SCU)
- Storage Commitment Service Class (SCU)
- Modality Worklist Management Service Class (SCU)
- Print Service Class (SCU)
- Media Storage Service (FSC)

If reader is unfamiliar with DICOM, it is recommended to read the DICOM Specification (referenced in section 1.2) prior to reading this conformance statement.

## 1.1.Overview

This document contains 10 sections (including this Section 1 – Introduction).

Section 2 presents the DICOM implementation model of the Kodak QC, supported by detailed application data flow diagrams.

Section 3 provides definition of the Image Transfer Application Entity (AE) that is part of Kodak QC. Details are given in the AE Specification.

Section 4 provides definition of the Modality Worklist AE that is part of Kodak QC. Details are given in the AE Specification.

Communication Profiles are discussed in section 7, and configuration required by Kodak QC is provided in Section 8. Section 9 indicates support for Extended Character Sets.

Annex A provides Information Object Definitions for the modalities supported by Kodak QC.

## 1.2.References

ACR-NEMA Digital Imaging and Communications in Medicine, DICOM V3.0, 1999-2000.

## 1.3.Definitions

- **Association Establishment** - An Association Establishment is the first phase of communication between two DICOM Application Entities. The AEs use the Association Establishment to negotiate how data will be encoded and the type of data to be exchanged.
- **Called Application Entity Title** - The Called AE Title defines the intended receiver of an Association.

*Kodak Point of Care* CR Systems, DICOM Conformance Statement

- **Calling Application Entity Title** - The Calling AE Title defines the requestor of an Association.
- **DICOM Message Service Element (DIMSE)** - A DIMSE defines the services and protocols utilized by an Application Entity to exchange messages.
- **Information Object Definition (IOD)** - An IOD is a data model, which is an abstraction of real-world information. This data model defines the nature and attributes relevant to the class of real-world objects represented.
- **Service Class Provider (SCP)** - A Service Class Provider plays the "server" role to perform operations and invoke notifications during an Association. An example of a Storage Service Class Provider would be an image storage device. In this case, the image storage device is storing the image that was sent by a Service Class User.
- **Service Class User (SCU)** - A Service Class User plays the "client" role to invoke operations and perform notifications during an Association. An example of a Storage Service Class User would be an image acquisition device. In this case, the image acquisition device will create and send a DICOM image by requesting that a Service Class Provider store that image.
- **Service/Object Pair (SOP) Class** - A SOP Class is defined by the union of an Information Object Definition and a set of DIMSE Services. A DICOM Application Entity may support one or more SOP Classes. Each SOP Class is uniquely identified by a SOP Class UID.
- **SOP Instance** - A specific occurrence of an Information Object.
- **Transfer Syntax** - The Transfer Syntax is a set of encoding rules that allow DICOM Application Entities to negotiate the encoding techniques (e.g. data element structure, byte ordering, compression) they are able to support. The Transfer Syntax is negotiated during Association Negotiation.
- **Unique Identifier (UID)** - A Unique Identifier is a globally unique, ISO compliant, ASCII-numeric string. It guarantees uniqueness across multiple countries, sites, vendors and equipment.
- **DICOM File** – A DICOM File is a File with a content of formatted according to the requirements of Part 10 of the DICOM standard.

## 2.Implementation Model

Kodak QC is a medical acquisition system that supports Computed Radiography (CR).

Kodak QC encompasses the following DICOM Application Entities:

- KODAK QC IMAGE TRANSFER AE - to exchange images with other Application Entities by the means of DICOM network exchange. It implements the following Service Class:
  - Storage as SCU
- KODAK QC STORAGE COMMITMENT AE - to ask for safe storage approval of images that where already sent to other Application Entities in previous associations by the means of DICOM network exchange. It implements the following Service Class:
  - Storage Commitment as SCU
- KODAK QC MWL AE - to fetch modality worklists from a worklist manager. It implements the following Service Class:
  - DICOM Modality Worklist SCU
- KODAK QC PRINT AE - to exchange print pages with other Application Entities by the means of DICOM network exchange. It implements the following Service Class:
  - Print as SCU

### 2.1.Image Transfer

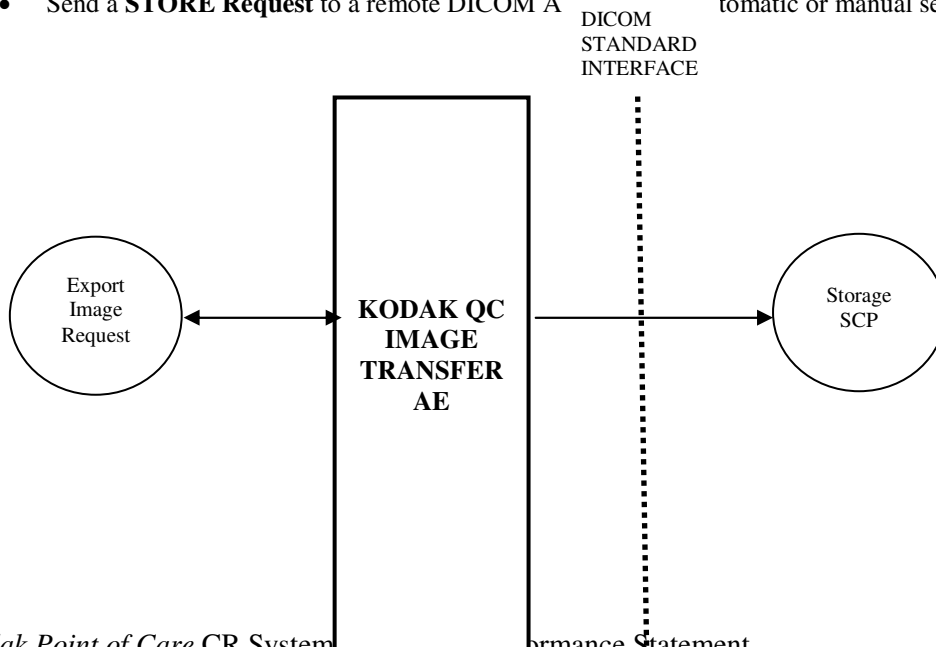
KODAK QC IMAGE TRANSFER AE is implemented as a single application entity and performs the following services:

- sends/exports images to remote DICOM storage devices (acts as Storage SCU)

#### 2.1.1.Application Data Flow

Figure 1 illustrates the following scenarios:

- Send a **STORE Request** to a remote DICOM AE via automatic or manual sending request.



Kodak Point of Care CR System, DICOM Conformance Statement



Figure 1: Image Transfer Data Flow Diagram

### 2.1.2.Functional Definitions of Application Entities

The KODAK QC IMAGE TRANSFER AE component operates as a service. The startup sequence of the Kodak QC system initiates its execution. The service is NOT shut down when the Kodak QC application is closed

### 2.1.3.Sequencing of Real-World Activities

- Automatic sending of images - When an Image is accepted in the scan mode and a default DICOM store SCP (like PACS etc.) is configured than the image is being sent to it.
- Manual sending of images - the user can enter the Archive tool and select images to be sent to the storage device.

## 2.2.Storage Commitment

KODAK QC Storage Commitment AE is implemented as a single application entity and performs the following services:

- sends/exports N\_ACTION requests to remote DICOM storage device (acts as S.Comm SCU).
- receives N\_EVENT\_REPORT requests from storage device

### 2.2.1.Application Data Flow

Figure 2 illustrates the following scenarios:

- Send an **N\_ACTION request** to a remote DICOM AE in case the preceding image transfer request was successful and associated to the storage commitment destination.

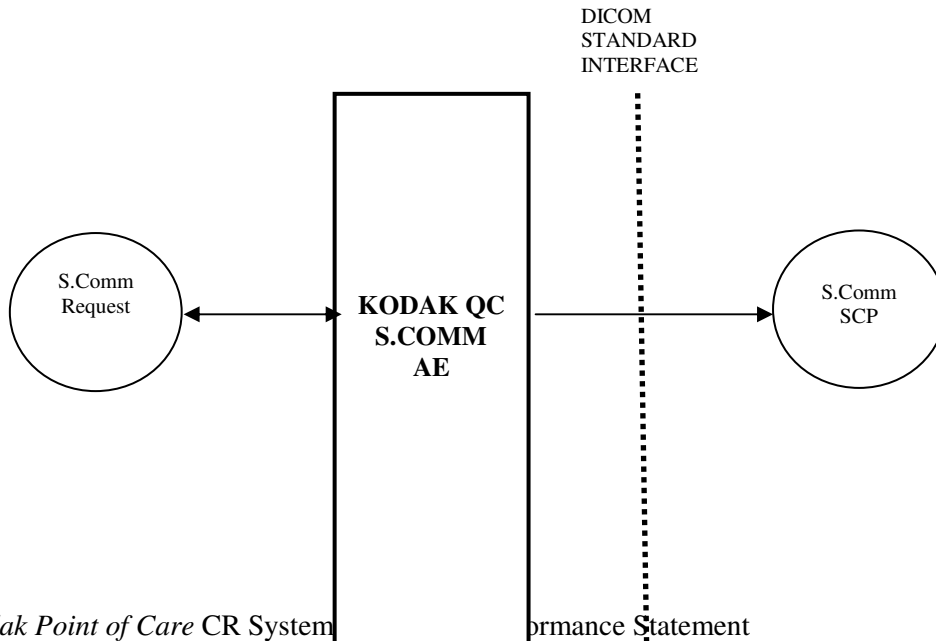


Figure 2: Storage Commitment Data Flow Diagram

### 2.2.2.Functional Definitions of Application Entities

The KODAK QC S.COMM AE component operates as a service. The startup sequence of the Kodak QC system initiates its execution. The service is NOT shut down when the Kodak QC application is closed

### 2.2.3.Sequencing of Real-World Activities

- After a successful transfer of image (as described at 2.1.3 ) to a device with S.Comm SCP capability then the AE initiates a new association for sending N\_ACTION request using above image SOP Class/Instance UID pair.
- The service always listens (waits for association, on local port 104) to a different association initiated by the S.Comm SCP to receive the outcome of the commitment requests (N\_EVENT\_REPORT) and updates its as Success/Failure in the Kodak QC database.

## 2.3.Modality Worklist

### 2.3.1.Application Data Flow

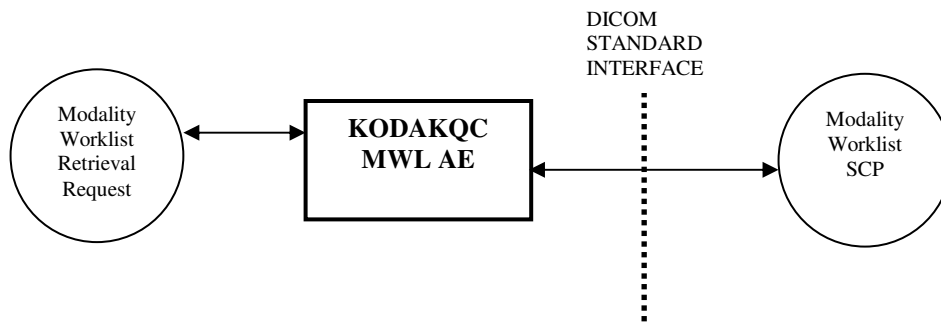


Figure 3: Modality Worklist Data Flow Diagram

### 2.3.2.Functional Definitions of Application Entities

KODAK QC MWL AE is used to query modality worklist information from a remote DICOM device. It therefore performs the following tasks:

- Establishes a DICOM Association with a remote DICOM device.
- Issues a request for a worklist to a remote DICOM device.
- Retrieves Modality Worklist from a remote DICOM device.

KODAK QC MWL AE component operates as part of the Kodak QC application. It is shut down when the application terminates.

### 2.3.3. Sequencing of Real-World Activities

Not applicable.

## 2.4. Print

KODAK QC PRINT AE is implemented as a single application entity and performs the following services:

- sends/exports print film boxes to remote DICOM Print device as laser imagers etc. (acts as Print SCU)

### 2.4.1. Application Data Flow

Figure 4 illustrates the following scenarios:

- Send a **PRINT Request** to a remote DICOM AE in case of automatic or manual printing request.

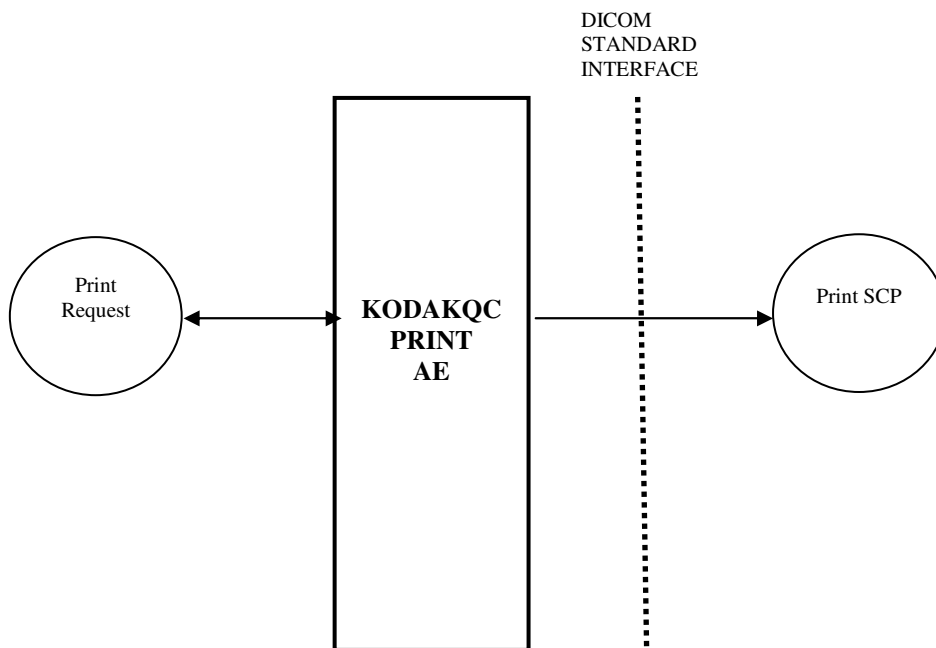


Figure 4: Print Data Flow Diagram

### 2.4.2.Functional Definitions of Application Entities

The KODAK QC PRINT AE component operates as a service. The startup sequence of the Kodak QC system initiates its execution. The service is NOT shut down when the Kodak QC application is closed

KODAK QC PRINT AE uses a configuration file that contains information used to describe both local as well as remote Application Entities.

### 2.4.3.Sequencing of Real-World Activities

- Automatic sending of single image print page - When an Image is accepted in the scan mode and a default DICOM Print SCP is configured than the print pafe of the image is being sent to it.
- Manual printing of images - the user can enter the Viewer tool and select images to be printed.

## 2.5. MEDIA Storage

KODAK QC MEDIA Storage AE is implemented as a single application entity and performs the following services:

- Burns Images and DICOMDIR on media. (acts as FSC)

### 2.5.1.Application Data Flow

Figure 5 illustrates the following scenarios:

- Make a **BURN operation** .

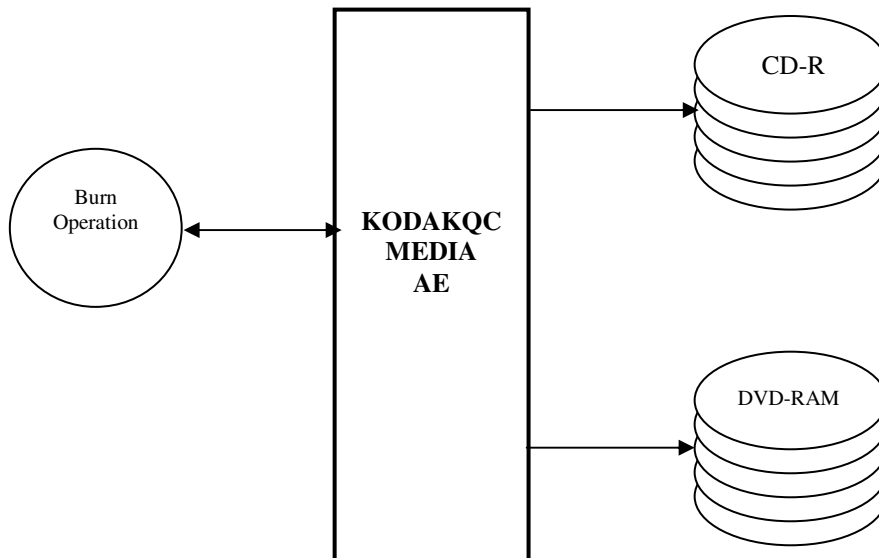


Figure 5: Burn Media Flow Diagram

### 3.KODAK QC IMAGE TRANSFER AE Specification

KODAK QC IMAGE TRANSFER AE provides Standard Conformance to the following DICOM SOP Class as an SCU:

SOP Class Name	SOP Class UID
CR Image Storage	1.2.840.10008.5.1.4.1.1.1

#### 3.1.Association Establishment Policy

##### 3.1.1.General

The maximum length of PDU that the KODAK QC IMAGE TRANSFER AE will receive is 16384.

##### 3.1.2.Number of Associations

The KODAK QC IMAGE TRANSFER AE can initiate one association concurrently..

##### 3.1.3.Asynchronous nature

The KODAK QC IMAGE TRANSFER AE allows a single outstanding operation on any association. Therefore, Kodak QC AE does not support asynchronous operations and will not perform asynchronous window negotiation, other than the default as specified by the DICOM specification.

##### 3.1.4.Implementation Identifying Information

The KODAKQC IMAGE TRANSFER AE is identified by the following ids:

Implementation Class UID: 1.2.3

Implementation Version Name: ver 1

#### 3.2.Association Initiation by Real World Activity

This section details the action of the KODAKQC IMAGE TRANSFER AE SCU component as a result of user initiated activity on the Kodak QC Application User Interface.

##### 3.2.1.Export Image Request

###### 3.2.1.1.Associated Real World Activity

Automatic export:

The user configures the Kodak QC application to automatically export a study after it has been performed. The user sets up the default destination and no further intervention on the user part is required. The KODAK QC IMAGE TRANSFER AE transfers the images in the background.

### 3.2.1.2. Proposed Presentation Contexts

Presentation Context Table					
Abstract Syntax		Transfer Syntax		Role	Extended Negotiation
Name	UID	Name List	UID List		
CR Image Storage	1.2.840.10008.5.1.4.1.1.1	Implicit VR Little Endian	1.2.840.10008.1.2	SCU	None

### 3.2.1.3. SOP-Specific Conformance

This implementation supports transfers as an SCU as described in NEMA PS3.4 (2000) Annex B.

The Information Object attributes that are encapsulated in a dataset and sent with the C-STORE request are specified in Annex A of this document.

### 3.3. Association Acceptance Policy

NA.

## 4.KODAK QC STORAGE COMMITMENT AE Specification

KODAK QC S.COMM AE provides Standard Conformance to the following DICOM SOP Class as an SCU:

SOP Class Name	SOP Class UID
Storage Commitment Push Model Class	1.2.840.10008.1.20.1

### 4.1.Association Establishment Policy

#### 4.1.1.General

The maximum length of PDU that the KODAK QC S.COMM AE will receive is 16384.

#### 4.1.2.Number of Associations

The KODAK QC S.COMM AE can initiate one association concurrently..

#### 4.1.3.Asynchronous nature

The KODAK QC S.COMM AE allows a single outstanding operation on any association. Therefore, Kodak QC AE does not support asynchronous operations and will not perform asynchronous window negotiation, other than the default as specified by the DICOM specification.

#### 4.1.4.Implementation Identifying Information

The KODAK QC S.COMM AE is identified by the following ids:

Implementation Class UID: 1.2.3

Implementation Version Name: ver 1

### 4.2.Association Initiation by Real World Activity

This section details the action of the KODAK QC S.COMM AE SCU component as a result of user initiated activity on the Kodak QC Application User Interface.

#### 4.2.1.Storage commitment Request

##### 4.2.1.1.Associated Real World Activity

Automatic N\_ACTION requests after sending images to storage device

##### 4.2.1.2.Proposed Presentation Contexts

Presentation Context Table					
Abstract Syntax		Transfer Syntax		Role	Extended Negotiation
Name	UID	Name List	UID List		
Storage Commitment Push Model Class	1.2.840.10008.1.20.1	Implicit VR Little Endian	1.2.840.10008.1.2	SCU	None

### 4.2.1.3.SOP-Specific Conformance

This implementation supports transfers as an SCU as described in NEMA PS3.4 (2000) Annex B.

### 4.3.Association Acceptance Policy

The KODAK QC S.COMM AE accepts Associations on port 104 for N\_EVENT \_REPORT requests as an SCU and C\_ECHO requests as an SCP.

## 5.KODAK QC MWL AE Specification

### 5.1.Association Establishment Policy

#### 5.1.1.General

When KodakQC Application issues a request to retrieve a Modality Worklist, it initiates an association to the Modality Worklist SCP through the KODAK QC MWL AE Component.

#### 5.1.2.Number of Associations

KODAK QC MWL AE initiates one association with the default remote Modality Worklist SCP. The association is released once the worklist has been fetched.

#### 5.1.3.Asynchronous nature

This release does not support asynchronous operations and will not perform asynchronous window negotiation.

#### 5.1.4.Implementation Identifying Information

The KODAK QC MWL AE is identified by the following ids:  
Implementation Class UID: 1.2.840.113564.3.2  
Implementation Version Name: not specified

### 5.2.Association Initiation by Real World Activity

#### 5.2.1.Modality Worklist Retrieval Request

##### 5.2.1.1.Associated Real World Activity

The user of the KodakQC Application selects the Retrieve Worklist operation button on the user interface.

##### 5.2.1.2.Proposed Presentation Contexts

Presentation Context Table							
Abstract Syntax			Transfer Syntax			Role	Extended Negotiation
Name	UID		Name	UID			
Modality Worklist Model FIND	1.2.840.10008.5.1.4.31		Implicit VR, Little Endian	1.2.840.10008.1.2		SCU	None



### 5.2.1.3. SOP-Specific Conformance for Modality Worklist Model- Find SOP Class

Attribute	Tag	Possible Values
Specific Character Set	(0008,0005)	User Defined or Empty
Accession Number	(0008,0050)	User Defined or default (* / Empty)
Referring Physician's Name	(0008,0090)	Empty
Patient's Name	(0010,0010)	User Defined or default (* / Empty)
Patient ID	(0010,0020)	User Defined or default (* / Empty)
Patient's Birth Date	(0010,0030)	Empty
Patient's Sex	(0010,0040)	Empty
Study Instance UID	(0020,000D)	Empty
Requested Procedure Description	(0032,1060)	Empty
Scheduled Procedure Step Sequence	(0040,0100)	
>Modality	(0008,0060)	CR or Empty
>Scheduled Station AE Title	(0040,0001)	configurable in DICOM settings
>Scheduled Procedure Step Start Date	(0040,0002)	Days range is configurable in DICOM settings
> Scheduled Procedure Step Start Time	(0040,0003)	Empty
>Scheduled Procedure Step Description	(0040,0007)	Empty
> Scheduled Station Name	(0040,0010)	configurable in DICOM settings
>Scheduled Procedure Step Location	(0040,0011)	User Defined or Empty

### 5.3. Association Acceptance Policy

The KODAK QC MWL AE does not accept association requests.

## 6.KODAK QC PRINT AE Specification

KODAK QC S.COMM AE provides Standard Conformance to the following DICOM SOP Class as an SCU:

SOP Class Name	SOP Class UID
Basic Grayscale Print Management Meta SOP Class	1.2.840.10008.5.1.1.9
Basic Film Session SOP Class	1.2.840.100008.5.1.1.1
Basic Film Box SOP Class	1.2.840.100008.5.1.1.2
Basic Grayscale Image Box SOP Class	1.2.840.100008.5.1.1.4
Printer SOP Class	1.2.840.100008.5.1.1.16

### 6.1.Association Establishment Policy

#### 6.1.1.General

The maximum length of PDU that the KODAK QC PRINT AE will receive is 16384.

#### 6.1.2.Number of Associations

The KODAK QC PRINT AE can initiate one association concurrently..

#### 6.1.3.Asynchronous nature

The KODAK QC PRINT AE allows a single outstanding operation on any association. Therefore, KodakQC AE does not support asynchronous operations and will not perform asynchronous window negotiation, other than the default as specified by the DICOM specification.

#### 6.1.4.Implementation Identifying Information

The KODAK QC PRINT AE is identified by the following ids:

Implementation Class UID: 1.2.840.113564.12.1

Implementation Version Name: not specified

### 6.2.Association Initiation by Real World Activity

This section details the action of the KODAK QC PRINT AE SCU component as a result of user initiated activity on the KodakQC Application User Interface.

#### 6.2.1.Print Request

##### 6.2.1.1.Associated Real World Activity

Automatic N\_ACTION requests after sending images to storage device

### 6.2.1.2. Proposed Presentation Contexts

Presentation Context Table					
Abstract Syntax		Transfer Syntax		Role	Extended Negotiation
Name	UID	Name List	UID List		
Basic Grayscale Print Management Meta SOP Class	1.2.840.10008.5.1.1.9	Implicit VR Little Endian	1.2.840.10008.1.2	SCU	None

### 6.2.1.3. SOP-Specific Conformance for Basic Film Session SOP Class

Attribute	SCU Usage	Tag	Possible Values	Notes
Number of Copies	U	(2000,0010)		
Print Priority	U	(2000,0020)	HIGH, MED, LOW	print_priority ExtEscape command exists
Medium Type	U	(2000,0030)	PAPER, CLEAR FILM, BLUE FILM, MEMMO BLUE FILM	
Film Destination	U	(2000,0040)	BIN_n	n is printer specific

### 6.2.1.4. SOP-Specific Conformance for Basic Film Box SOP Class

Attribute	SCU Usage	Tag	Possible Values	Notes
Image Display Format	M	(2010,0010)	STANDARD/1,1	1-up only
Film Orientation	M	(2010,0040)	PORTRAIT, LANDSCAPE	Printer specific
Film Size ID	M	(2010,0050)		
Magnification Type	U	(2010,0060)	CUBIC, BILINEAR, REPLICATE	
Max Density	U	(2010,0130)	1 - 399	dmax ExtEscape command exists

Attribute	SCU Usage	Tag	Possible Values	Notes
Border Density	U	(2010,0100)	BLACK, WHITE	Default to 2000 Default to 10
Empty Image Density	U	(2010,0110)	Same as Border Density	
Min Density	U	(2010,0120)	1 - 399	
Illumination	MC	(2010,015E)	0 - 3000	
Reflected Ambient Light	MC	(2010,0160)	0 - 200	

### 6.2.1.5. SOP-Specific Conformance for Basic Image Box SOP Class

Attribute	SCU Usage	Tag	Possible Values	Notes
Image Position	M	(2020,0010)		
Basic Grayscale Image Sequence	M	(2020,0110)		
>Samples per Pixel	M	(0028,0002)	1	
>Photometric Interpretation	M	(0028,0004)	MONOCHROME1, MONOCHROME2	
>Rows	M	(0028,0010)		
>Columns	M	(0028,0011)		
>Pixel Aspect Ratio	MC	(0028,0034)		
>Bits Allocated	M	(0028,0100)	8, 16	bpp ExtEscape command exists
>Bits Stored	M	(0028,0101)	Up to 12	
>High Bit	M	(0028,0102)	Bits Stored - 1	
>Pixel Representation	M	(0028,0103)	0000H	
>Pixel Data	M	(7FE0,0010)		
>Polarity	U	(2020,0020)	NORMAL, REVERSE	
>Magnification Type	U	(2010,0060)	CUBIC, BILINEAR, REPLICATE	

### 6.3. Association Acceptance Policy

NA.

## 7. Media Storage AE

This Application Entity provides conformance to the standard General Purpose CD-R (STD-GEN-CD ) and DVD (STD-GEN-DVD-RAM) interchange Profiles as an FSC.

### 7.1.1. Media Storage Application Profiles

In addition to the mandatory support of DICOMDIR for the Basic Directory SOP class (1.2.840.10008.1.3.10), refer to the following table for the list of composite image and stand-alone storage SOP class and the list of transfer syntaxes that are supported by this media storage interchange service respectively

Presentation Context Table					
Abstract Syntax		Transfer Syntax		Role	Extended Negotiation
Name	UID	Name List	UID List		
Media Storage Directory Storage	1.2.840.10008.1.3.10	Explicit VR Little Endian	1.2.840.10008.1.2.1	FSC	None
CR Image Storage	1.2.840.10008.5.1.4.1.1.1	Implicit VR Little Endian	1.2.840.10008.1.2	FSC	None

#### 7.1.1.1.SOP-Specific Conformance

The Information Object attributes that are encapsulated in a dataset via burn request are specified in Annex A of this document.

## 8. Communications Profiles

### 8.1.Supported Communication Stacks

The DICOM V3.0 TCP/IP Network Communication Support as defined in Part 8 of the DICOM Standard is supported.

### 8.2.OSI Stack

Not applicable to this product.

### 8.3.TCP/IP Stack

#### 8.3.1.API

The KODAK QC IMAGE TRANSFER AE KODAK QC MWL AE implementations use Berkeley style sockets.

#### 8.3.2.Physical Media Support

KodakQC is indifferent to the physical medium over which TCP/IP executes; it inherits the medium from the computer system upon which it executes.

#### **8.4.Point to Point Stack**

Not applicable to this product.

## 9.Configuration

### 9.1.KODAK QC IMAGE TRANSFER AE Configuration

KodakQC Service Manual, supplied with the product, defines the available configuration parameters.

Application entity host names can be specified as either IP address or host name.

### 9.2.KODAK QC STORAGE COMMITMENT AE Configuration

KodakQC Service Manual, supplied with the product, defines the available configuration parameters.

Application entity host names can be specified as either remote IP address or host name. It will receive association requests only on local port 104.

### 9.3.KODAK QC MWL AE Configuration

KodakQC Service Manual, supplied with the product, defines the available configuration parameters.

Local AE title can be set.

Parameters of the remote MWL SCP can be set (i.e., AE title, host name or IP address)

### 9.4.KODAK QC PRINT AE Configuration

KodakQC Service Manual, supplied with the product, defines the available configuration parameters.

Application entity host names can be specified as either IP address or host name.

## 10.Support of Extended Character Sets

- ISO\_IR 100 (European Languages)
- GB18030 (Chinese)
- ISO 2022 IR 87 (Japanese for Kanji, full **only** Katakana, Hiragana).
- ISO 2022 IR 13ISO 2022 IR 87 (Japanese for Kanji, **full and half** Katakana, Hiragana).
- ISO\_IR 144 (Cyrillic – Russian).
- ISO\_IR 148(Turkish).

## 11. Annex A - Information Object Definitions

The Information Object Definitions for Digital Computed Radiography (CR) image is described in this section.

### 11.1. Computed Radiography (CR) Information Object Definition

KodakQC supports sending of CR images.

#### 11.1.1. Information Object Definitions For CR Image IOD

##### 11.1.1.1. Patient Module

Attribute Name	Tag	Type	Attribute Assignment
Patient's Name	(0010, 0010)	2	From User or MWL
Patient ID	(0010, 0020)	2	From User or MWL
Patient's Birth Date	(0010, 0030)	2	From User or MWL
Patient's Sex	(0010, 0040)	2	From User or MWL
Referenced Patient Sequence	(0008,1120)	3	Not set
>Referenced SOP Class UID	(0008,1150)	1C	Required if Referenced Patient Sequence is set
>Referenced SOP Class Instance UID	(0008,1155)	1C	Required if Referenced Patient Sequence is set

##### 11.1.1.2. General Study Module

Attribute Name	Tag	Type	Attribute Assignment
Study Instance UID	(0020, 000D)	1	Auto generated or from MWL
Study Date	(0008, 0020)	2	Always set
Study Time	(0008, 0030)	2	Always set
Referring Physician's Name	(0008, 0090)	2	From User or MWL
Study ID	(0020, 0010)	2	Length=0
Accession Number	(0008, 0050)	2	From User or MWL
Study Description	(0008,1030)	3	From User or MWL
Physician(s) of Record	(0008,1048)	3	Not set
Name of Physician(s) Reading Study	(0008,1060)	3	Not set
Referenced Study Sequence	(0008,1110)	3	Not set
>Referenced SOP Class UID	(0008,1150)	1C	Required Referenced Study Sequence is set
>Referenced SOP Class Instance UID	(0008,1155)	1C	Required Referenced Study Sequence

Kodak Point of Care CR Systems, DICOM Conformance Statement



			is set
Procedure Code Sequence	(0008,1032)	3	Not set
>Code Value	(0008,0100)	1C	Required if Procedure Code Sequence present
>Coding Scheme Designator	(0008,0102)	1C	Required if Procedure Code Sequence present
>Coding Scheme Version	(0008,0103)	1C	Required if Procedure Code Sequence present and its value is available
>Code Meaning	(0008,0104)	1C	Required if Procedure Code Sequence present

### 11.1.1.3.Patient Study Module

Attribute Name	Tag	Type	Attribute Assignment
Admitting Diagnoses Description	(0008,1080)	3	Not set
Patient's Age	(0010, 1010)	3	Not set
Patient's Size	(0010,1020)	3	Not set
Patient's Weight	(0010,1030)	3	Not set
Occupation	(0010,2180)	3	Not set
Additional Patient's History	(0010,21B0)	3	Not set

### 11.1.1.4.General Series Module

Attribute Name	Tag	Type	Attribute Assignment
Modality	(0008, 0060)	1	CR
Series Instance UID	(0020, 000E)	1	Always set
Series Number	(0020, 0011)	2	Always set
Laterality	(0020,0060)	2C	Length=0
Series Date	(0008,0021)	3	Not set
Series Time	(0008,0031)	3	Not set
Performing Physician's Name	(0008,1050)	3	Not set
Protocol Name	(0018,1030)	3	Not set
Series Description	(0018,103E)	3	Not set
Operator's Name	(0008,1070)	3	Not set
Referenced Study Component Sequence	(0008,1111)	3	Not set

>Referenced SOP Class UID	(0008,1150)	1C	Set if Referenced Study Component Sequence is present
>Referenced SOP Instance UID	(0008,1155)	1C	Set if Referenced Study Component Sequence is present
Body Part Examined	(0018,0015)	2	Always set
Patient Position	(0018,5100)	2	Length=0
Smallest Pixel Value in Series	(0028,0108)	3	Not set
Largest Pixel Value in Series	(0028,0109)	3	Not set
Request Attributes Sequence	(0040,0275)	3	Not set
>Requested Procedure ID	(0040,1001)	1C	Set if Request Attributes Sequence is present
>Scheduled Procedure Step ID	(0040,0009)	1C	Set if Request Attributes Sequence is present
>Scheduled Procedure Step Description	(0040,0007)	1C	Set if Request Attributes Sequence is present and the value is available
>Scheduled Action Item Code Sequence	(0040,0008)	3	Not set
>>Code Value	(0008,0100)	1C	Required if Scheduled Action Item Code Sequence is present
>>Coding Scheme Designator	(0008,0102)	1C	Required if Scheduled Action Item Code Sequence is present
>>Coding Scheme Version	(0008,0103)	1C	Required if Scheduled Action Item Code Sequence is present and its value is available
>>Code Meaning	(0008,0104)	1C	Required if Scheduled Action Item Code Sequence is present
Performed Procedure Step ID	(0040,0253)	3	Not set
Performed Procedure Step Start Date	(0040,0244)	3	Not set
Performed Procedure Step Start Time	(0040,0245)	3	Not set
Performed Procedure Step Description	(0040,0254)	3	Not set
Performed Action Item Code Sequence	(0040,0260)	3	Not set
>Code Value	(0008,0100)	1C	Required if Performed Action Item Code Sequence is present
>Coding Scheme Designator	(0008,0102)	1C	Required if Performed Action Item Code Sequence is present
>Coding Scheme Version	(0008,0103)	1C	Required if Performed Action Item Code Sequence is present and its value is available
>Code Meaning	(0008,0104)	1C	Required if Performed Action Item Code Sequence is present

### 11.1.1.5.CR Series Module

Attribute Name	Tag	Type	Attribute Assignment
Body Part Examined	(0018, 0015)	2	Always set
View Position	(0018,5101)	2	Always set
Filter Type	(0018,1160)	3	Not set
Colimator/grid Name	(0018,1180)	3	Not set
Focal Spot	(0018, 1190)	3	Not set
Plate Type	(0018, 1260)	3	Not set
Phosphor Type	(0018, 1261)	3	Not set

### 11.1.1.6.General Equipment Module

Attribute Name	Tag	Type	Attribute Assignment
Manufacturer	(0008, 0070)	2	Always set
Institution Name	(0008, 0080)	3	Always set
Institution Address	(0008, 0080)	3	Not set
Station Name	(0008,1010)	3	Always Set
Institutional Department Name	(0008,1040)	3	Not set when no entry is made
Manufacturer's Model Name	(0008,1090)	3	Always set
Device Serial Number	(0018,1000)	3	Not set
Software Versions	(0018,1020)	3	Not set

### 11.1.1.7.General Image Module

Attribute Name	Tag	Type	Attribute Assignment
Instance Number	(0020, 0013)	2	Always set
Patient Orientation	(0020,0020)	2C	Length=0
Content Date	(0008, 0023)	2C	Not set
Content Time	(0008, 0033)	2C	Not set
Image Type	(0008, 0008)	3	Not set
Derivation Description	(0008, 2111)	3	Not set
Pixel Spacing	(0028, 0030)	3	Always set

Kodak Point of Care CR Systems, DICOM Conformance Statement

Lossy Image Compression	(0028, 2110)	3	Not set
-------------------------	--------------	---	---------

### 11.1.1.8. Image Pixel Module

Attribute Name	Tag	Type	Attribute Assignment
Samples per Pixel	(0028, 0002)	1	1
Photometric Interpretation	(0028, 0004)	1	MONOCHROME2
Rows	(0028, 0010)	1	Always set
Columns	(0028, 0011)	1	Always set
Bits Allocated	(0028, 0100)	1	Always set ( 16 )
Bits Stored	(0028, 0101)	1	Always set ( 12 )
High Bit	(0028, 0102)	1	Always set ( 11 )
Pixel Representation	(0028, 0103)	1	Always set ( 0 )
Pixel Data	(7FE0, 0010)	1	Always set
Planar Configuration	(0028, 0006)	1C	Not set
Pixel Aspect Ratio	(0028, 0034)	1C	Always set ( 1\1 )
Smallest Image Pixel Value	(0028, 0106)	3	
Largest Image Pixel Value	(0028, 0107)	3	

### 11.1.1.9. CR Image Module

Attribute Name	Tag	Type	Attribute Assignment
KVP	(0018, 0060)	3	Set in Grayling mode
Plate ID	(0018,1004)	3	Always set
X-Ray Tube Current	(0018, 1151)	3	Not set
Exposure Time	(0018,1150)	3	Not set
Exposure	(0018,1152)	3	Not set
Exposure in uAs	(0018,1153)	3	Set in Grayling mode
Image Area Dose Product	(0018,115E)	3	Set in Grayling mode
Imager Pixel Spacing	(0018,1164)	3	Always Set
Focal Spot	(0018,1190)	3	Not set
Relative X-Ray Exposure	(0018,1405)	3	Always set
Sensitivity	(0018,6000)	3	Always set

### 11.1.1.10.Modality LUT Module

Attribute Name	Tag	Type	Attribute Assignment
Modality LUT Sequence	(0028, 3000)	1C	Not set
>LUT Descriptor	(0028,3002)	1C	Not set
>LUT Explanation	(0028,3003)	3	Not set
>Modality LUT Type	(0028,3004)	1C	Not set
>LUT Data	(0028,3006)	1C	Not set
Rescale Intercept	(0028,1052)	1C	Always set ( 0 )
Rescale Slope	(0028,1053)	1C	Always set ( 1 )
Rescale Type	(0028, 1054)	1C	Always US

### 11.1.1.11.VOI LUT Module

Attribute Name	Tag	Type	Attribute Assignment
VOI LUT Sequence	(0028,3010)	3	Not set
>LUT Descriptor	(0028,3002)	1C	Not set
>LUT Explanation	(0028,3003)	1C	Not set
>LUT Data	(0028,3006)	1C	Not set
Window Center	(0028,1050)	1C	Always set
Window Width	(0028,1051)	1C	Always set

### 11.1.1.12.SOP Common Module

Attribute Name	Tag	Type	Attribute Assignment
SOP Class UID	(0008, 0016)	1	Always set
SOP Instance UID	(0008, 0018)	1	Always set
Specific Character Set	(0008, 0005)	1C	As in Support of Extended Character Sets