

## Summary Sheet | CARESTREAM Touch Ultrasound Systems | 13L4w Transducer



Figure 1: 13L4w Transducer

### Frequency Range

- 4-13 MHz

### Uses

- Small Organ (Small Parts) imaging
- Musculoskeletal (Superficial) imaging
- Musculoskeletal (Conventional) imaging
- Peripheral Vessel (Peripheral Vascular) imaging
- Elastography

### Benefits

- Integrated one-touch Smart Select transducer activation and programmable mode select button
- Very high frequency gives superb near field images with high resolution
- Wide image field
- Broad bandwidth
- Dynamic transducer focusing
- Dedicated puncture and biopsy guide
- Built-in control button
- Compatible with modern reprocessing methods

### Reprocessing

13L4w can be reprocessed using methods listed under *Specifications*.

- 13L4w can be supplied with an optional watertight plug lid that fits over the connector plug to protect it during reprocessing procedures (including washing) that involve liquids. When the lid is attached, the transducers can be fully immersed. The lid must not be attached when gas processing methods are used.

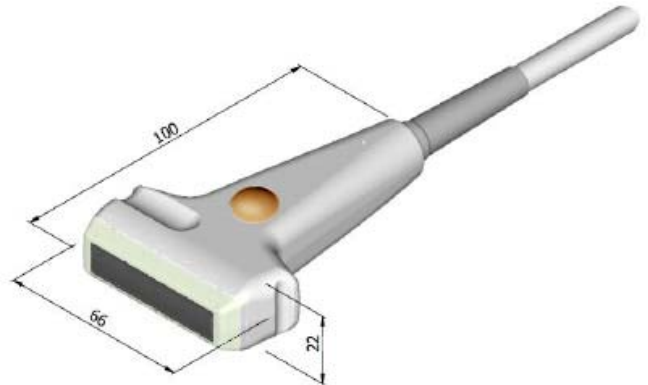


Figure 2: Dimensions (mm)