



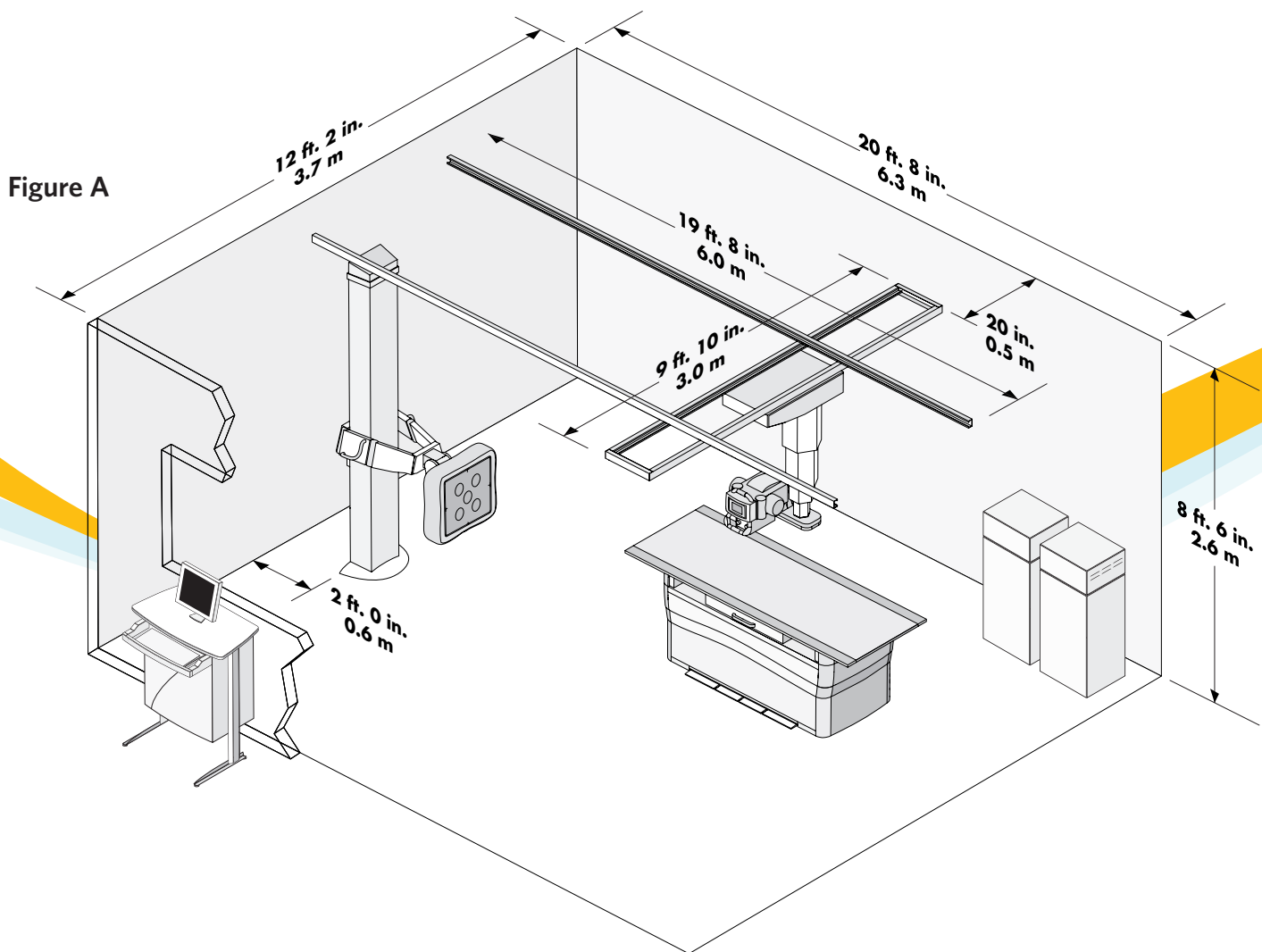
Site planning

Kodak
DirectView
DR 7500 System

A new-generation **DR system** for ultimate flexibility

The adaptable, versatile KODAK DIRECTVIEW DR 7500 System provides the ultimate flexibility for digital radiography. Modular components enable you to easily configure this system to fit your space, applications, workflow—and your budget.

Choose from a customizable array of single- and dual-detector options to design a system that captures the range of exams you need. Control all imaging functions with an integrated operator console to expedite workflow, increase productivity, and support improved patient care.




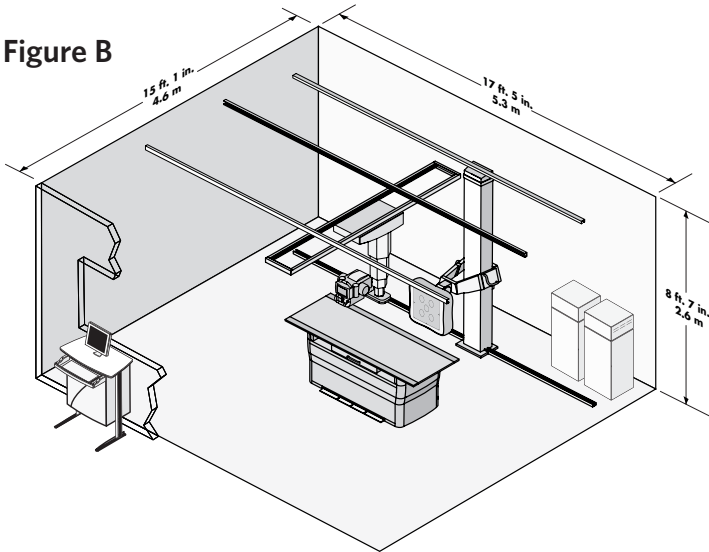
 The illustrations in this document will serve only as a guide for room-size requirements, along with depicting key subsystems of the DR 7500 System. Full requirements for the system are outlined in Carestream Health publication No. 9F4272, *KODAK DIRECTVIEW DR 7500 System Site Specifications*, and should always be used for the most current information and detailed planning purposes. The site specs include, among other information, complete room, electrical, phone, network, and environmental requirements. Detailed component dimensions and weights are also provided.

Figure B



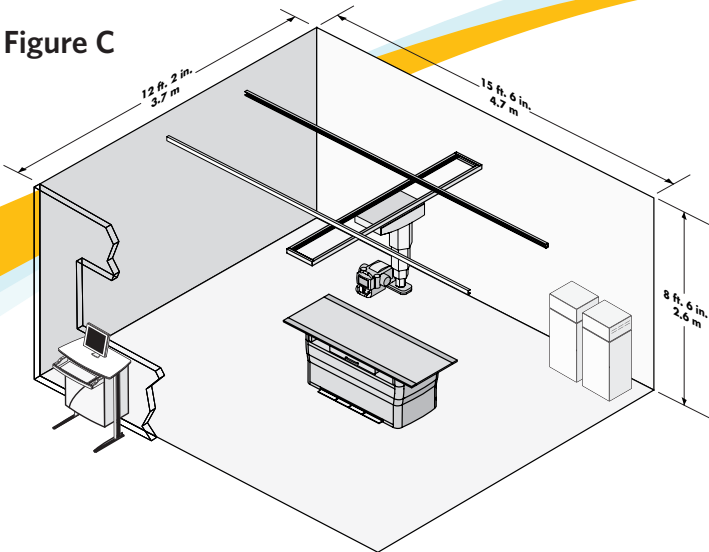
Five major subsystems

The flexible, fully integrated KODAK DIRECTVIEW DR 7500 System consists of five major components:

- ▶ Wall stand with extending tilt and swing Bucky/detector
- ▶ Elevating table with detector and four-way floating tabletop
- ▶ Overhead tube suspension*
- ▶ X-ray generator and timing and distribution unit*
- ▶ System operator console*

*Included with all configurations

Figure C

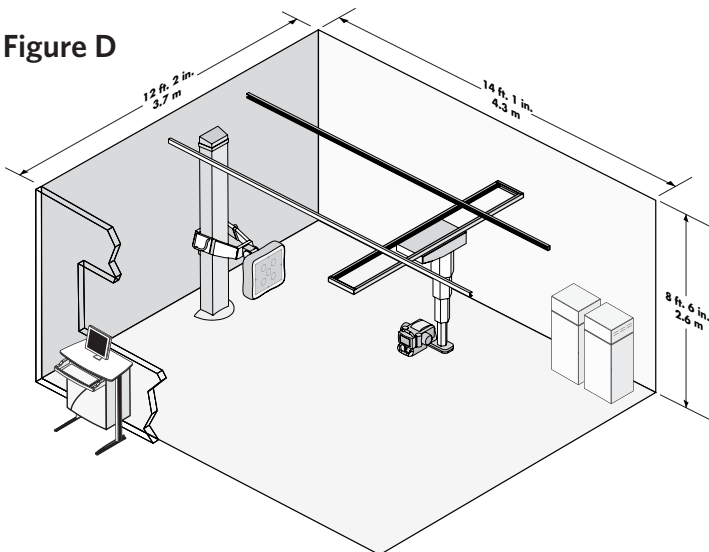


Fits your space, applications, workflow—and your budget

The modularity of the KODAK DIRECTVIEW DR 7500 System lets you configure a system that fits your room size, the types of images to be captured, and your budget. The room sizes suggested here allow the greatest range of exams within each configuration. The following notes provide some background for the dimensions provided.

Changes to the preferred dimensions can be made; however, each will result in some loss of capability to perform certain exams. The Carestream Health team can provide details of compromised functionality when preferred dimensions are altered.

Figure D



- ▶ The preferred ceiling height in all illustrations optimizes the vertical range of movement of the wall stand detector and the overhead tube suspension.
- ▶ **Figure A** allows for using a movable table with the wall stand. The wall stand can be placed either to the left (as illustrated) or to the right of the table.
- ▶ **Figure B** allows for full movement of the wall stand for both upright chest imaging and imaging at the fixed elevating table, negating the need for a movable table. Ceiling height must be between 8'6" and 9'2" (2.6 and 2.8 m).
- ▶ In **Figure C**, the bridge length can be reduced to 6'6" (2 m), allowing the room width to be reduced to 8'10" (2.7 m).
- ▶ In **Figures A** and **D**, an optional floor rail for the wall stand allows reducing the bridge length to 6'6" (2 m) and reducing the room width to 8'10" (2.7 m).

Kodak DirectView DR 7500 System

Specifications

Recommended Size Requirements

Room Size:	20 ft 8 in. (6.3 m) x 12 ft 2 in. (3.7 m)
Ceiling Height (Minimum):	8 ft 6 in. (2.6 m) as measured from the bottom of the support structure
Control Areas with Partitioned Wall:	84 in. (213.3 cm) to the top
Door Size:	48 x 84 in. (121.9 x 213.3 cm)
Hallway Width:	60 in. (152.4 cm)

Operating Environment Limits

Warning: Do not operate this equipment outside of the following limits. Doing so may cause the equipment to malfunction.

Temperature:	50 to 80.6°F (10 to 27°C)
Relative Humidity:	35 to 75% (non condensing)
Maximum Temperature Gradient:	9°F / hour (5°C / hour)
Altitude Maximum:	0 to 10,000 ft (0 to 3048 m) atmospheric pressure

Key Components Dimensions for Wall Stand

Wall Stand Bucky Tilt:	-20 to 0 to 90 degrees
Bucky Angulation:	(+/-) 45 degrees
Bucky Ext. Depth:	12.2 in. (31 cm)
Horizontal Bucky Center Away from Column:	25.6 in. (65 cm)
Wall Stand Vertical Range of Movement:	57.1 in. (145.1 cm)

	Width	Height	Depth	Weight
Wall Stand:	39 in. (99.1 cm)	94.8 in. (240.7 cm)	45.6 in. (116 cm)	750 lb (340 kg)
X-ray Generator:	18 in. (45.7 cm)	48.7 in. (123.7 cm)	16 in. (40.6 cm)	265 lb (120 kg)
TDU:	16.5 in. (41.9 cm)	48.5 in. (123.2 cm)	19.3 in. (49 cm)	230 lb (104 kg)
Operator Console:	35.5 in. (90 cm)	40.4 in. (102.6 cm)	23.6 in. (60 cm)	318 lb (145 kg)

Fixed Elevating Table Dimensions

Overall Height (Minimum):	24.4 in. (62 cm)
Overall Height (Maximum):	35.4 in. (90 cm)
Elevation Range:	11 in. (28 cm)
Overall Width:	34.3 in. (87 cm)
Overall Tabletop Length:	86.6 in. (220 cm)
Uncrated Weight:	900 lb (408 kg)
Top Transverse Travel:	5.2 in. (13 cm)
Top Longitudinal Travel:	43.3 in. (110 cm) range
Bucky Longitudinal Travel:	18.5 in. (47 cm)
Table Attenuation:	0.65 mm Al
Maximum Patient Weight:	600 lb (272 kg)

Direct Capture System Specification

Dynamic Range:	14-bit data captured (linearly)
Recommended Network Requirements:	100 BaseT, Full-Duplex, Switched

X-ray Generator

Output:	80-kW high-frequency output with digital feedback control circuitry
Range of Output:	1000 mA at 80 kVp 500 mA at 150 kVp

Overhead Tube Suspension

Electromagnetic Locks:	Yes; operational when system is energized
Motion Controls:	Operator handle with push-button control; tracks automatically to Bucky
OTC Range of Vertical Movement:	60 in. (152.4 cm)

Power Requirements

U.S.:	480 VAC, 60 Hz, 3 Phase Wye or Delta
Europe:	400 VAC, 50 Hz, 3 Phase Wye or Delta
Max. Line Voltage:	± 10%
Max. Phase Imbalance:	± 2%
Current	
Max. Intermittent:	180 A @ 480 VAC (80 kW) 200 A @ 400 VAC (80 kW)
Max. Continuous:	5 A @ 480 VAC 5 A @ 400 VAC

Network Capability

DICOM 3.0:	Print service class Storage service class Multiple destination routing
Connectivity:	KODAK DRYVIEW Laser Imagers and KODAK DIRECTVIEW PACS System Third-party DICOM-compliant devices
Patient Demographic and Exam Data:	Through HIS/RIS with optional KODAK DIRECTVIEW DICOM Work List Management Software

Regulatory

System complies with 21 CFR Chapter 1, Subchapter J
Collimator: Class 1 laser product in accordance with IEC 60825-1

Kodak

Licensed Product

Carestream Health, Inc.
150 Verona Street
Rochester, NY 14608

Carestream Health Canada Company
6 Monogram Place
Suite 200
Toronto, Ontario M9R 0A1
CANADA

More information

To learn more about the KODAK DIRECTVIEW DR 7500 System, Carestream Health's family of DR systems, and other high-performance systems and solutions for healthcare, contact your Carestream Health representative, or call 1-877-865-6325, ext. 227.

→ www.carestreamhealth.com

Carestream 
HEALTH

The Innovation Powering **Kodak** Health Products