



Site planning

Kodak
DirectView
DR 3500 System

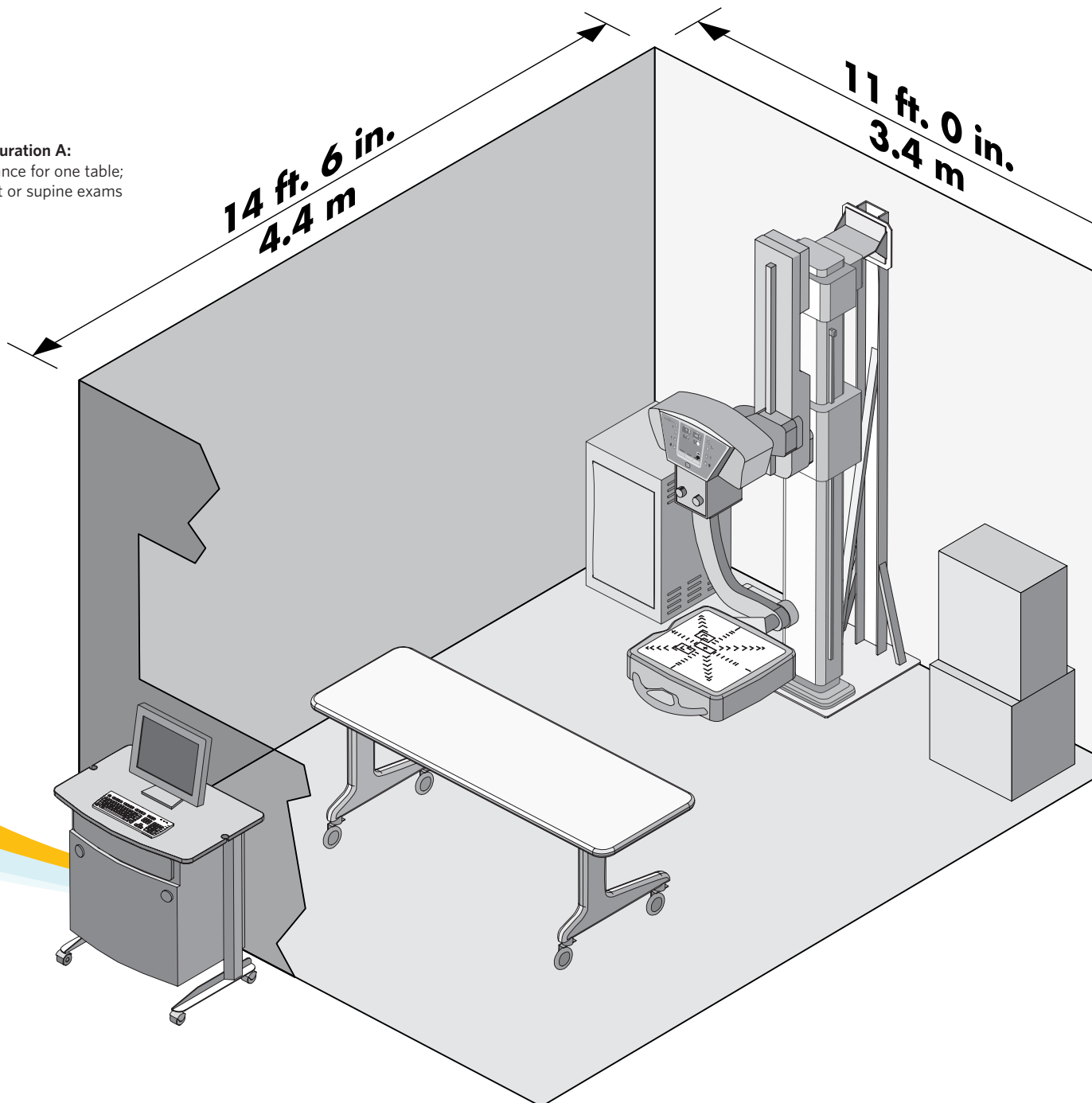
Flexible, multipurpose DR system

Versatile and space-efficient, the KODAK DIRECTVIEW DR 3500 System combines simplicity and high performance in an easy-to-use, floor-mounted system. A multi-purpose motorized design provides three-in-one flexibility for upright, table, and angled projections.

The integrated operator console streamlines workflow for improved productivity. Anti-collision sensors promote patient and radiographer safety. Flat-panel capture and proprietary image processing produce uncompromising image quality.

Part of Carestream Health's family of DR solutions, this system is ideal for confined spaces. Easy to use and install, it is recommended for hospitals, clinics, satellite locations, and other facilities planning a move to digital radiography.

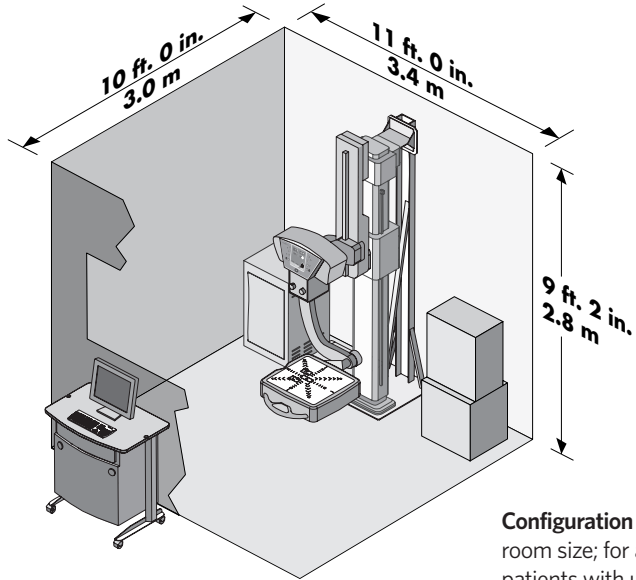
Configuration A:
Allowance for one table;
upright or supine exams



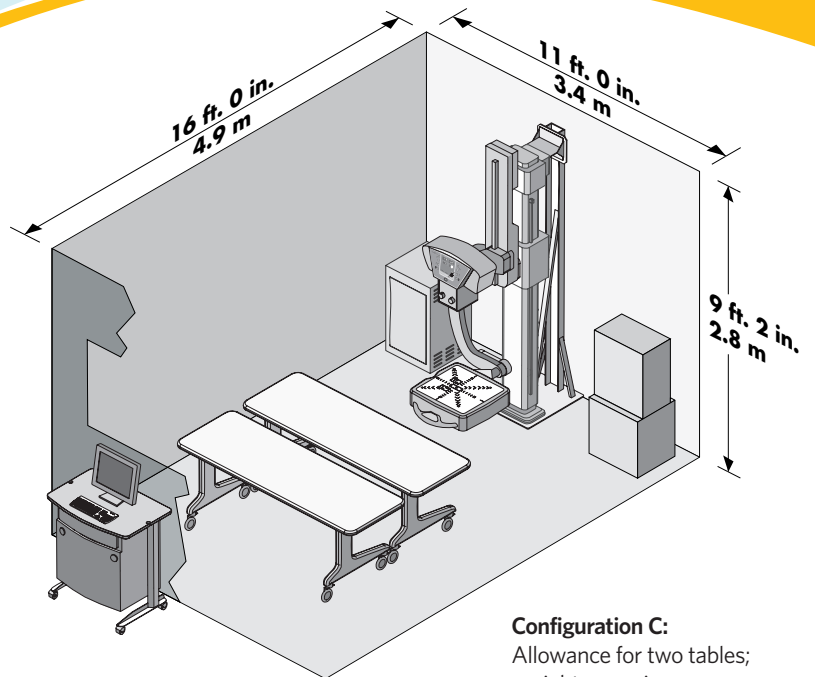
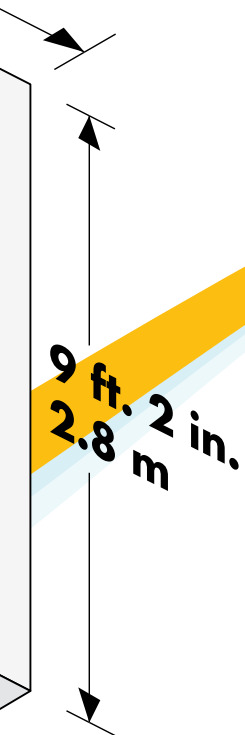
Five major subsystems

The versatile, fully integrated KODAK DIRECTVIEW DR 3500 System consists of five major components:

- ▶ Floor-mounted positioner with assistant stand
- ▶ X-ray generator and power box
- ▶ Power distribution unit
- ▶ Flat-panel detector
- ▶ System operator console



Configuration B: Minimum room size; for ambulatory patients with upright exams



Configuration C: Allowance for two tables; upright or supine exams



The illustrations in this document serve only as a guide for room-size requirements, along with depicting key subsystems of the DR 3500 system. Full requirements for the system are outlined in Carestream Health publication no. 5H8110, KODAK DIRECTVIEW DR 3500 System Site Specifications, and should always be used for detailed planning purposes. The site specs include, among other information, complete room, electrical, phone, network, and environmental requirements. Detailed component dimensions and weights are also provided.

Kodak DirectView

DR 3500 System

Specifications

Minimum Size Requirements

Room size:	10 x 10 ft (305 x 305 cm)
Ceiling height:	Minimum: 9 ft 2 in. (279 cm) high
Control areas with partitioned wall:	84 in. (213 cm) high
Door size:	71 x 47 in. (180 x 120 cm)
Hallway width:	47 in. (120 cm)

Key Components Dimensions

	Length	Width	Height	Weight
Positioner:	88 in. (223 cm)	39 in. (100 cm)	33 in. (84 cm)	714 lb (324 kg)
Assistant stand:	92 in. (234 cm)	23.6 in. (60 cm)	25 in. (64 cm)	165 lb (75 kg)
Generator:	24 in. (61 cm)	16 in. (41 cm)	27 in. (69 cm)	291 lb (132 kg)
Power box:	24 in. (61 cm)	18 in. (46 cm)	24 in. (61 cm)	128 lb (58 kg)
Power distribution unit:	22 in. (56 cm)	21 in. (53 cm)	39 in. (99 cm)	308 lb (140 kg)
Operator console:	35 in. (89 cm)	24 in. (61 cm)	39 in. (99 cm)	154 lb (70 kg)

Digital Image Capture Device

Detector type:	Cesium iodide x-ray detector
Active image:	17 x 17 in. (43 x 43 cm)
Detector element pitch:	143 μ m
Dynamic range:	14-bit linear

Positioner (fully motorized)

Vertical travel of arm:	50 in. (126 cm)
Variable SID:	40-72 in. (100-180 cm)
Rotation of arm:	+120 degree/-30 degree
Rotation of tube:	45 degree increments
Tilting of Bucky:	+/-45 degree
Automatic positioning for table and chest exams	

X-ray Generator

Output:	80 kW high-frequency output (64 kW available in some countries*)
Range of output:	40 to 150 kVp (1kVp/step) 0.1 to 500 mAs 10 to 800 mA (10 to 640 mA for 64 kW option)
Power:	380/400/440/480 VAC, 3-phase (order proper configuration per region) 50/60 Hz

Network Capability

DICOM 3.0:	Print service class Storage service class Multiple destination routing Optional modality worklist management
Connectivity:	KODAK DRYVIEW Laser Imagers and KODAK CARESTREAM PACS Third-party DICOM-compliant devices
Patient demographic:	Through HIS/RIS

Regulatory

System complies with 21 CFR Chapter 1, Subchapter J
Collimator: Class 2m laser product in accordance with IEC 60825-1

**Consult Carestream Health for availability in your region*

Kodak

Licensed Product

Carestream Health, Inc.
150 Verona Street
Rochester, NY 14608

Carestream Health Canada Company
6 Monogram Place
Suite 200
Toronto, Ontario M9R 0A1
CANADA

More information

To learn more about the KODAK DIRECTVIEW DR 3500 System, Carestream Health's family of DR systems, and other high-performance systems and solutions for healthcare, contact your Carestream Health representative, or call 1-877-865-6325, ext. 227.

 www.carestreamhealth.com

Carestream

HEALTH

The Innovation Powering **Kodak** Health Products