



**CD Direct System  
for the  
*Kodak DirectView* Distribution Suite  
Version 5.2**

**DICOM Conformance Statement**

**September 30, 2004  
Publication # 9F0729**

---

---

## Revision History

| Revision | Date    | Author | Reason for Change                      |
|----------|---------|--------|--|
| 1.0      | 09/2004 |        | First release for software version 5.2 |

---

Publication # 9F0729  
© Eastman Kodak Company, 2004  
Rochester, NY 14650

Kodak and DirectView are trademarks of Eastman Kodak Company.

---



---

# Table of Contents

|             |  |           |
|-------------|--|-----------|
| <b>1</b>    | <b>Introduction</b>  | <b>1</b>  |
| 1.1         | CD Direct System   | 1         |
| 1.2         | About this Document  | 1         |
| 1.3         | Important Remarks  | 1         |
| <b>2</b>    | <b>Implementation Model</b>  | <b>2</b>  |
| 2.1         | Application Data Flow Diagram  | 2         |
| 2.1.1       | CD Direct  | 2         |
| 2.2         | Functional Definitions of AE   | 2         |
| 2.2.1       | CD Direct  | 2         |
| 2.3         | Sequencing of Real World Activities  | 2         |
| <b>3</b>    | <b>AE Specifications</b>   | <b>3</b>  |
| 3.1         | CD Direct Specifications   | 3         |
| 3.1.1       | Association Establishment Policies   | 4         |
| 3.1.1.1     | General  | 4         |
| 3.1.1.2     | Number of Associations   | 5         |
| 3.1.1.3     | Asynchronous Nature  | 5         |
| 3.1.1.4     | Implementation Identifying Information   | 5         |
| 3.1.2       | Association Initiation by Real World Activity  | 5         |
| 3.1.3       | Association Acceptance Policy  | 5         |
| 3.1.3.1     | Remote System Requests Verification  | 5         |
| 3.1.3.1.1   | Associated Real World Activity   | 5         |
| 3.1.3.1.2   | Presentation Context Table   | 5         |
| 3.1.3.1.2.1 | SOP Specific Conformance to Verification SOP Class                                   | 5         |
| 3.1.3.1.3   | Transfer Syntax Selection Policies   | 6         |
| 3.1.3.2     | Remote System Requests Image Storage   | 6         |
| 3.1.3.2.1   | Associated Real World Activity   | 7         |
| 3.1.3.2.2   | Presentation Context Table   | 7         |
| 3.1.3.2.2.1 | SOP Specific Conformance to Storage SOP Class  | 7         |
| 3.1.3.2.2.2 |  | 9         |
| 3.1.3.2.3   | Presentation Context Acceptance Criterion  | 10        |
| 3.1.3.2.4   | Transfer Syntax Selection Policies   | 18        |
| <b>4</b>    | <b>Communication Profiles</b>  | <b>19</b> |
| 4.1         | Supported Communications Stacks (Parts 8, 9)   | 19        |
| 4.2         | TCP/IP Stack   | 19        |
| 4.2.1       | Physical Media Support   | 19        |
| <b>5</b>    | <b>Extensions, Specialization, Privatization of SOP Classes, and Transfer Syntax</b> | <b>19</b> |

---

|          |   |           |
|----------|---|-----------|
| 5.1      | Configuration .....                             | 19        |
| 5.2      | AE Title/Presentation Address Mapping .....     | 19        |
| 5.3      | Configurable Parameters .....                   | 19        |
| <b>6</b> | <b>Support of Extended Character Sets .....</b> | <b>20</b> |

---

# 1 Introduction

## 1.1 CD Direct System

The CD Direct System for *Kodak DirectView* Distribution Suite communication is based on the DICOM 3.0 standard. This enables the CD Direct System to communicate with any DICOM 3.0 compliant products (e.g., scanners, workstations, hardcopy units). Images are transferred in the DICOM 3.0 protocol based on TCP/IP as a transport layer.

## 1.2 About this Document

This document provides the DICOM Conformance Statement for the CD Direct implementation of the DICOM 3.0 standard. Conformance Statement defines the subset of options selected from those offered by the DICOM 3.0 standard. Copies of the DICOM 3.0 standard may be obtained by written request or phone, by contacting:

NEMA  
Suite 1847  
1300 North 17th Street  
Rosslyn, VA 22209 USA  
Phone: (703) 841-3285

It is assumed that the reader of this document is familiar with the DICOM 3.0 standard and with the terminology and concepts that are used in the standard.

## 1.3 Important Remarks

The use of this Conformance Statement, in conjunction with the DICOM 3.0 standard, is intended to facilitate communication with the CD Direct server. However, by itself, it is not sufficient to ensure that inter-operation will be successful. Proceed with caution and be aware of at least the following issues:

It is the user's responsibility to analyze the applications requirements and to design a solution that integrates the server properly with the network. The integration of any DICOM compliant device into an existing network goes beyond the scope of the standard.

Testing the complete range of possible interactions between the server and other devices should not be overlooked by the user. This includes the accuracy of the image data once it has crossed the interface between the server and the other device, and the suitability of the image data for the intended applications. Such a validation is required before any clinical use is performed.

Evolution of the DICOM 3.0 standard may require changes to devices which have implemented it, such as the CD Direct server. The user should ensure that other DICOM products in the network are also updated as the standard evolves.

If the user encounters unspecified private data elements while parsing a data set coming from the server, the user is well advised to ignore those data elements (per the DICOM 3.0 standard). Unspecified private data element information is subject to change without notice.

---

## 2 Implementation Model

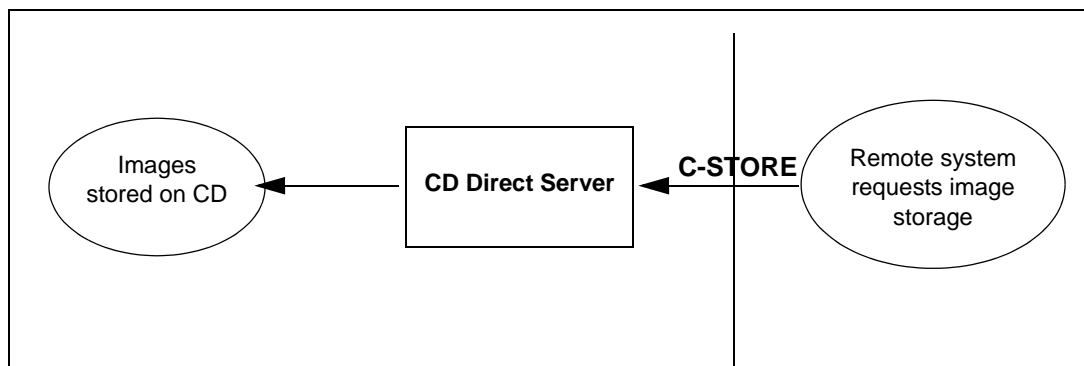
CD Direct uses the DICOM protocol to receive images for burning on CD.

### 2.1 Application Data Flow Diagram

The CD Direct system implements and provides DICOM services using the CD Direct Application.

#### 2.1.1 CD Direct

This Application Entity (AE) burns images it receives to CDs. This Service Class Provider (SCP) provides DICOM Storage services. The following shows an illustration of CD Direct server activities.



### 2.2 Functional Definitions of AE

#### 2.2.1 CD Direct

CD Direct waits for another application to connect at the presentation address configured for its AE title. CD Direct will accept associations with Presentation Contexts for Service Object Pair (SOP) classes of the Storage and Verification Service Classes.

When performing a Storage Service Class, CD Direct will receive images and store them into a temporary archive, which later will be burned on a CD.

### 2.3 Sequencing of Real World Activities

Not applicable.

---

## 3 AE Specifications

### 3.1 CD Direct Specifications

CD Direct provides Standard Conformance to the following DICOM 3.0 SOP Classes as SCP:

| SOP Class Name   | SOP Class UID                  |
|--|--------------------------------|
| Verification   | 1.2.840.10008.1.1              |
| CT Image Storage   | 1.2.840.10008.5.1.4.1.1.2      |
| MR Image Storage   | 1.2.840.10008.5.1.4.1.1.4      |
| Nuclear Medicine Image Storage                           | 1.2.840.10008.5.1.4.1.1.20     |
| Computed Radiography Image Storage                       | 1.2.840.10008.5.1.4.1.1.1      |
| Secondary Capture Image Storage                          | 1.2.840.10008.5.1.4.1.1.7      |
| Ultrasound Multi-Frame Image Storage (Retired)           | 1.2.840.10008.5.1.4.1.1.3      |
| Ultrasound Multi-Frame Image Storage                     | 1.2.840.10008.5.1.4.1.1.3.1    |
| Ultrasound Image Storage (Retired)                       | 1.2.840.10008.5.1.4.1.1.6      |
| Ultrasound Image Storage                                 | 1.2.840.10008.5.1.4.1.1.6.1    |
| X-Ray Angiographic Image Storage                         | 1.2.840.10008.5.1.4.1.1.12.1   |
| X-Ray Radiofluoroscopic Image Storage                    | 1.2.840.10008.5.1.4.1.1.12.2   |
| Digital X-Ray Image Storage for Presentation             | 1.2.840.10008.5.1.4.1.1.1.1    |
| Digital X-Ray Image Storage for Processing               | 1.2.840.10008.5.1.4.1.1.1.1.1  |
| Digital Mammography X-Ray Image Storage for Presentation | 1.2.840.10008.5.1.4.1.1.1.2    |
| Digital Mammography X-Ray Image Storage for Processing   | 1.2.840.10008.5.1.4.1.1.1.2.1  |
| Digital Intra Oral X-Ray Image Storage for Presentation  | 1.2.840.10008.5.1.4.1.1.1.3    |
| Digital Intra Oral X-Ray Image Storage for Processing    | 1.2.840.10008.5.1.4.1.1.1.3.1  |
| RT Image Storage   | 1.2.840.10008.5.1.4.1.1.481.1  |
| VL Endoscopic Image Storage                              | 1.2.840.10008.5.1.4.1.1.77.1.1 |
| VL Microscopic Image Storage                             | 1.2.840.10008.5.1.4.1.1.77.1.2 |
| VL Slide Coordinates Microscopic Image Storage           | 1.2.840.10008.5.1.4.1.1.77.1.3 |
| VL Photographic Image Storage                            | 1.2.840.10008.5.1.4.1.1.77.1.4 |
| X-Ray Angiographic Bi-Plane Image Storage                | 1.2.840.10008.5.1.4.1.1.12.3   |
| Positron Emission Tomography                             | 1.2.840.10008.5.1.4.1.1.128    |
| Key Object Selection Document                            | 1.2.840.10008.5.1.4.1.1.88.59  |
| RT Dose Storage  | 1.2.840.10008.5.1.4.1.1.481.2  |
| RT Structure Set Storage                                 | 1.2.840.10008.5.1.4.1.1.481.3  |
| RT Beams Treatment Record Storage                        | 1.2.840.10008.5.1.4.1.1.481.4  |
| RT Plan Storage  | 1.2.840.10008.5.1.4.1.1.481.5  |
| RT Brachy Treatment Record Storage                       | 1.2.840.10008.5.1.4.1.1.481.6  |

| SOP Class Name   | SOP Class UID                 |
|--|-------------------------------|
| RT Treatment Summary Record Storage                        | 1.2.840.10008.5.1.4.1.1.481.7 |
| Hardcopy Grayscale Image Storage                           | 1.2.840.10008.5.1.1.29        |
| Hardcopy Color Image Storage                               | 1.2.840.10008.5.1.1.30        |
| Multi-Frame Grayscale Byte Secondary Capture Image Storage | 1.2.840.10008.5.1.4.1.1.7.2   |
| Multi-Frame Grayscale Word Secondary Capture Image Storage | 1.2.840.10008.5.1.4.1.1.7.3   |
| Visible Light Image Storage (Retired)                      | 1.2.840.10008.5.1.4.1.1.77.1  |
| Visible Light Multi-Frame Image Storage (Retired)          | 1.2.840.10008.5.1.4.1.1.77.2  |
| Nuclear Medicine Image Storage (Retired)                   | 1.2.840.10008.5.1.4.1.1.5     |
| Basic Text SR Storage                                      | 1.2.840.10008.5.1.4.1.1.88.11 |
| Enhanced SR Storage  | 1.2.840.10008.5.1.4.1.1.88.22 |
| Comprehensive SR Storage                                   | 1.2.840.10008.5.1.4.1.1.88.33 |
| Stand-alone Overlay Storage                                | 1.2.840.10008.5.1.4.1.1.8     |
| Stand-alone Curve Storage                                  | 1.2.840.10008.5.1.4.1.1.9     |
| Stand-alone Modality LUT Storage                           | 1.2.840.10008.5.1.4.1.1.10    |
| Stand-alone VOI LUT Storage                                | 1.2.840.10008.5.1.4.1.1.11    |
| 12-lead ECG Waveform Storage                               | 1.2.840.10008.5.1.4.1.1.9.1.1 |
| General ECG Waveform Storage                               | 1.2.840.10008.5.1.4.1.1.9.1.2 |
| Ambulatory ECG Waveform Storage                            | 1.2.840.10008.5.1.4.1.1.9.1.3 |
| Hemodynamic Waveform Storage                               | 1.2.840.10008.5.1.4.1.1.9.2.1 |
| Cardiac Electrophysiology Waveform Storage                 | 1.2.840.10008.5.1.4.1.1.9.3.1 |
| Basic Voice Audio Waveform Storage                         | 1.2.840.10008.5.1.4.1.1.9.4.1 |
| Multi-frame Single Bit Secondary Capture Image Storage     | 1.2.840.10008.5.1.4.1.1.7.1   |
| Multi-frame True Color Secondary Capture Image Storage     | 1.2.840.10008.5.1.4.1.1.7.4   |
| MR Spectroscopy Storage                                    | 1.2.840.10008.5.1.4.1.1.4.2   |
| Enhanced MR Image Storage                                  | 1.2.840.10008.5.1.4.1.1.4.1   |
| Raw Data Storage   | 1.2.840.10008.5.1.4.1.1.66    |
| Presentation LUT   | 1.2.840.10008.5.1.1.23        |
| Mammography CAD SR   | 1.2.840.10008.5.1.4.1.1.88.50 |
| Chest CAD SR   | 1.2.840.10008.5.1.4.1.1.88.65 |
| Grayscale Softcopy Presentation State                      | 1.2.840.10008.5.1.4.1.1.11.1  |

### 3.1.1 Association Establishment Policies

#### 3.1.1.1 General

The maximum Protocol Data Unit (PDU) size which the CD Direct will use is 32K bytes.



---

### 3.1.1.2 Number of Associations

The number of simultaneous associations which will be accepted by CD Direct is limited only by the kernel parameters of the underlying TCP/IP implementation. CD Direct will spawn a new thread for each connection request it receives. Therefore, CD Direct can have multiple simultaneous connections, and there are no inherent limitations on the number of simultaneous associations which the Application Entity represented by Cocksure-Server can maintain.

### 3.1.1.3 Asynchronous Nature

CD Direct will only allow a single outstanding operation on an association. Therefore CD Direct will not perform asynchronous operations window negotiation.

### 3.1.1.4 Implementation Identifying Information

Kodak image processing and management systems provide a single Implementation Class Unique Identifier (UID) which is 1.2.840.113704.7.0.2. The Application Context Name is 1.2.840.10008.3.1.1.1.

## 3.1.2 Association Initiation by Real World Activity

CD Direct never initiates an association.

## 3.1.3 Association Acceptance Policy

CD Direct places no limitations on the number of simultaneous connections it will support. However, it is possible to control who may connect to CD Direct during the system configuration process.

### 3.1.3.1 Remote System Requests Verification

A remote system requests verification from CD Direct using the C-ECHO command.

#### 3.1.3.1.1 Associated Real World Activity

CD Direct performs the Verification Service Class by responding with C-ECHO-RSP.

#### 3.1.3.1.2 Presentation Context Table

Any of the Presentation Contexts shown in [Table 1](#) is acceptable to the CD Direct.

**Table 1: Acceptable Presentation Contexts for CD Direct**

| Abstract Syntax |                   | Transfer Syntax                 |                     | Role | Ext. Neg. |
|-----------------|-------------------|---------------------------------|---------------------|------|-----------|
| Name            | UID               | Name                            | UID                 |      |           |
| Verification    | 1.2.840.10008.1.1 | DICOM Implicit VR Little Endian | 1.2.840.10008.1.2   | SCP  | None      |
|                 |                   | DICOM Explicit VR Little Endian | 1.2.840.10008.1.2.1 |      |           |
|                 |                   | DICOM Explicit VR Big Endian    | 1.2.840.10008.1.2.2 |      |           |

#### 3.1.3.1.2.1 SOP Specific Conformance to Verification SOP Class

---

CD Direct provides standard conformance to the DICOM 3.0 Verification Service Class as an SCP for the Verification SOP Class, UID=1.2.840.10008.1.1.

#### **3.1.3.1.3 Transfer Syntax Selection Policies**

CD Direct prefers an explicit Transfer Syntax encoding. If offered a choice of Transfer Syntax in a Presentation Context, it will apply the following priorities to the choice of Transfer Syntax:

- DICOM Explicit VR Little Endian.
- DICOM Explicit VR Big Endian.
- DICOM Implicit VR Little Endian (Default).

#### **3.1.3.2 Remote System Requests Image Storage**

A remote system requests image storage from CD Direct using the C-STORE command.

---

### 3.1.3.2.1 Associated Real World Activity

The Real World activity associated with the C-STORE operation is the storage of the image in the archive. CD Direct will issue a failure status if it is unable to store the image in the temporary archive.

### 3.1.3.2.2 Presentation Context Table

Any of the Presentation Contexts shown in [Table 2](#) is acceptable to the CD Direct:

#### 3.1.3.2.2.1 SOP Specific Conformance to Storage SOP Class

CD Direct provides standard conformance to the DICOM 3.0 Storage Service Class as an SCP.

| SOP Class Name   | SOP Class UID                  |
|--|--------------------------------|
| Verification   | 1.2.840.10008.1.1              |
| CT Image Storage   | 1.2.840.10008.5.1.4.1.1.2      |
| MR Image Storage   | 1.2.840.10008.5.1.4.1.1.4      |
| Nuclear Medicine Image Storage                           | 1.2.840.10008.5.1.4.1.1.20     |
| Computed Radiography Image Storage                       | 1.2.840.10008.5.1.4.1.1.1      |
| Secondary Capture Image Storage                          | 1.2.840.10008.5.1.4.1.1.7      |
| Ultrasound Multi-Frame Image Storage (Retired)           | 1.2.840.10008.5.1.4.1.1.3      |
| Ultrasound Multi-Frame Image Storage                     | 1.2.840.10008.5.1.4.1.1.3.1    |
| Ultrasound Image Storage (Retired)                       | 1.2.840.10008.5.1.4.1.1.6      |
| Ultrasound Image Storage                                 | 1.2.840.10008.5.1.4.1.1.6.1    |
| X-Ray Angiographic Image Storage                         | 1.2.840.10008.5.1.4.1.1.12.1   |
| X-Ray Radiofluoroscopic Image Storage                    | 1.2.840.10008.5.1.4.1.1.12.2   |
| Digital X-Ray Image Storage for Presentation             | 1.2.840.10008.5.1.4.1.1.1.1    |
| Digital X-Ray Image Storage for Processing               | 1.2.840.10008.5.1.4.1.1.1.1.1  |
| Digital Mammography X-Ray Image Storage for Presentation | 1.2.840.10008.5.1.4.1.1.1.2    |
| Digital Mammography X-Ray Image Storage for Processing   | 1.2.840.10008.5.1.4.1.1.1.2.1  |
| Digital Intra Oral X-Ray Image Storage for Presentation  | 1.2.840.10008.5.1.4.1.1.1.3    |
| Digital Intra Oral X-Ray Image Storage for Processing    | 1.2.840.10008.5.1.4.1.1.1.3.1  |
| RT Image Storage   | 1.2.840.10008.5.1.4.1.1.481.1  |
| VL Endoscopic Image Storage                              | 1.2.840.10008.5.1.4.1.1.77.1.1 |
| VL Microscopic Image Storage                             | 1.2.840.10008.5.1.4.1.1.77.1.2 |
| VL Slide Coordinates Microscopic Image Storage           | 1.2.840.10008.5.1.4.1.1.77.1.3 |
| VL Photographic Image Storage                            | 1.2.840.10008.5.1.4.1.1.77.1.4 |
| X-Ray Angiographic Bi-Plane Image Storage                | 1.2.840.10008.5.1.4.1.1.12.3   |
| Positron Emission Tomography                             | 1.2.840.10008.5.1.4.1.1.128    |
| Key Object Selection Document                            | 1.2.840.10008.5.1.4.1.1.88.59  |
| RT Dose Storage  | 1.2.840.10008.5.1.4.1.1.481.2  |

| <b>SOP Class Name</b>                                      | <b>SOP Class UID</b>          |
|--|-------------------------------|
| RT Structure Set Storage                                   | 1.2.840.10008.5.1.4.1.1.481.3 |
| RT Beams Treatment Record Storage                          | 1.2.840.10008.5.1.4.1.1.481.4 |
| RT Plan Storage  | 1.2.840.10008.5.1.4.1.1.481.5 |
| RT Brachy Treatment Record Storage                         | 1.2.840.10008.5.1.4.1.1.481.6 |
| RT Treatment Summary Record Storage                        | 1.2.840.10008.5.1.4.1.1.481.7 |
| Hardcopy Grayscale Image Storage                           | 1.2.840.10008.5.1.1.29        |
| Hardcopy Color Image Storage                               | 1.2.840.10008.5.1.1.30        |
| Multi-Frame Grayscale Byte Secondary Capture Image Storage | 1.2.840.10008.5.1.4.1.1.7.2   |
| Multi-Frame Grayscale Word Secondary Capture Image Storage | 1.2.840.10008.5.1.4.1.1.7.3   |
| Visible Light Image Storage (Retired)                      | 1.2.840.10008.5.1.4.1.1.77.1  |
| Visible Light Multi-Frame Image Storage (Retired)          | 1.2.840.10008.5.1.4.1.1.77.2  |
| Nuclear Medicine Image Storage (Retired)                   | 1.2.840.10008.5.1.4.1.1.5     |
| Basic Text SR Storage                                      | 1.2.840.10008.5.1.4.1.1.88.11 |
| Enhanced SR Storage  | 1.2.840.10008.5.1.4.1.1.88.22 |
| Comprehensive SR Storage                                   | 1.2.840.10008.5.1.4.1.1.88.33 |
| Stand-alone Overlay Storage                                | 1.2.840.10008.5.1.4.1.1.8     |
| Stand-alone Curve Storage                                  | 1.2.840.10008.5.1.4.1.1.9     |
| Stand-alone Modality LUT Storage                           | 1.2.840.10008.5.1.4.1.1.10    |
| Stand-alone VOI LUT Storage                                | 1.2.840.10008.5.1.4.1.1.11    |
| 12-lead ECG Waveform Storage                               | 1.2.840.10008.5.1.4.1.1.9.1.1 |
| General ECG Waveform Storage                               | 1.2.840.10008.5.1.4.1.1.9.1.2 |
| Ambulatory ECG Waveform Storage                            | 1.2.840.10008.5.1.4.1.1.9.1.3 |
| Hemodynamic Waveform Storage                               | 1.2.840.10008.5.1.4.1.1.9.2.1 |
| Cardiac Electrophysiology Waveform Storage                 | 1.2.840.10008.5.1.4.1.1.9.3.1 |
| Basic Voice Audio Waveform Storage                         | 1.2.840.10008.5.1.4.1.1.9.4.1 |
| Multi-frame Single Bit Secondary Capture Image Storage     | 1.2.840.10008.5.1.4.1.1.7.1   |
| Multi-frame True Color Secondary Capture Image Storage     | 1.2.840.10008.5.1.4.1.1.7.4   |
| MR Spectroscopy Storage                                    | 1.2.840.10008.5.1.4.1.1.4.2   |
| Enhanced MR Image Storage                                  | 1.2.840.10008.5.1.4.1.1.4.1   |
| Raw Data Storage   | 1.2.840.10008.5.1.4.1.1.66    |
| Presentation LUT   | 1.2.840.10008.5.1.1.23        |
| Mammography CAD SR   | 1.2.840.10008.5.1.4.1.1.88.50 |
| Chest CAD SR   | 1.2.840.10008.5.1.4.1.1.88.65 |
| Grayscale Softcopy Presentation State                      | 1.2.840.10008.5.1.4.1.1.11.1  |

---

CD Direct conforms to the SOPs of the Storage Service Class at Level 2 (Full).

In case of a successful C-STORE, the stored image may be burned on a CD.

If CD Direct returns one of the following status codes, it means that the C-STORE has been unsuccessful:

A700: General refusal status

C000: General failure status

### **3.1.3.2.2.2**

CD Direct provides standard conformance to the DICOM V3.0 Grayscale Softcopy Presentation State as an SCP.

The displayed image referred by a SOP Instance of the Class applies the Modality LUT Transformation, Window/Level Transformation, Presentation LUT Transformation, Image Annotation and Spatial Transformation from the SOP instance of the class, according to DICOM V3.0 Supplement 33.

### 3.1.3.2.3 Presentation Context Acceptance Criterion

CD Direct will accept any Presentation Context from [Table 2](#).

**Table 2: Acceptable Presentation Contexts for CD Direct**

| Abstract Syntax |                              | Transfer Syntax                 |                     | Role | Ext. Neg. |
|-----------------|------------------------------|---------------------------------|---------------------|------|-----------|
| Name            | UID                          | Name                            | UID                 |      |           |
| CT Image        | 1.2.840.10008.5.1.4.1.1.2    | DICOM Implicit VR Little Endian | 1.2.840.10008.1.2   | SCP  | None      |
| CT Image        | 1.2.840.10008.5.1.4.1.1.2    | DICOM Explicit VR Little Endian | 1.2.840.10008.1.2.1 | SCP  | None      |
| CT Image        | 1.2.840.10008.5.1.4.1.1.2    | DICOM Explicit VR Big Endian    | 1.2.840.10008.1.2.2 | SCP  | None      |
| MR Image        | 1.2.840.10008.5.1.4.1.1.4    | DICOM Implicit VR Little Endian | 1.2.840.10008.1.2   | SCP  | None      |
| MR Image        | 1.2.840.10008.5.1.4.1.1.4    | DICOM Explicit VR Little Endian | 1.2.840.10008.1.2.1 | SCP  | None      |
| MR Image        | 1.2.840.10008.5.1.4.1.1.4    | DICOM Explicit VR Big Endian    | 1.2.840.10008.1.2.2 | SCP  | None      |
| NM Image        | 1.2.840.10008.5.1.4.1.1.20   | DICOM Implicit VR Little Endian | 1.2.840.10008.1.2   | SCP  | None      |
| NM Image        | 1.2.840.10008.5.1.4.1.1.20   | DICOM Explicit VR Little Endian | 1.2.840.10008.1.2.1 | SCP  | None      |
| NM Image        | 1.2.840.10008.5.1.4.1.1.20   | DICOM Explicit VR Big Endian    | 1.2.840.10008.1.2.2 | SCP  | None      |
| CR Image        | 1.2.840.10008.5.1.4.1.1.1    | DICOM Implicit VR Little Endian | 1.2.840.10008.1.2   | SCP  | None      |
| CR Image        | 1.2.840.10008.5.1.4.1.1.1    | DICOM Explicit VR Little Endian | 1.2.840.10008.1.2.1 | SCP  | None      |
| CR Image        | 1.2.840.10008.5.1.4.1.1.1    | DICOM Explicit VR Big Endian    | 1.2.840.10008.1.2.2 | SCP  | None      |
| SC Image        | 1.2.840.10008.5.1.4.1.1.7    | DICOM Implicit VR Little Endian | 1.2.840.10008.1.2   | SCP  | None      |
| SC Image        | 1.2.840.10008.5.1.4.1.1.7    | DICOM Explicit VR Little Endian | 1.2.840.10008.1.2.1 | SCP  | None      |
| SC Image        | 1.2.840.10008.5.1.4.1.1.7    | DICOM Explicit VR Big Endian    | 1.2.840.10008.1.2.2 | SCP  | None      |
| XA Image        | 1.2.840.10008.5.1.4.1.1.12.1 | DICOM Implicit VR Little Endian | 1.2.840.10008.1.2   | SCP  | None      |
| XA Image        | 1.2.840.10008.5.1.4.1.1.12.1 | DICOM Explicit VR Little Endian | 1.2.840.10008.1.2.1 | SCP  | None      |
| XA Image        | 1.2.840.10008.5.1.4.1.1.12.1 | DICOM Explicit VR Big Endian    | 1.2.840.10008.1.2.2 | SCP  | None      |
| RF Image        | 1.2.840.10008.5.1.4.1.1.12.2 | DICOM Implicit VR Little Endian | 1.2.840.10008.1.2   | SCP  | None      |

| Abstract Syntax                |                               | Transfer Syntax                 |                     | Role | Ext. Neg. |
|--------------------------------|-------------------------------|---------------------------------|---------------------|------|-----------|
| Name                           | UID                           | Name                            | UID                 |      |           |
| RF Image                       | 1.2.840.10008.5.1.4.1.1.12.2  | DICOM Explicit VR Little Endian | 1.2.840.10008.1.2.1 | SCP  | None      |
| RF Image                       | 1.2.840.10008.5.1.4.1.1.12.2  | DICOM Explicit VR Big Endian    | 1.2.840.10008.1.2.2 | SCP  | None      |
| US Image                       | 1.2.840.10008.5.1.4.1.1.6.1   | DICOM Implicit VR Little Endian | 1.2.840.10008.1.2   | SCP  | None      |
| US Image                       | 1.2.840.10008.5.1.4.1.1.6.1   | DICOM Explicit VR Little Endian | 1.2.840.10008.1.2.1 | SCP  | None      |
| US Image                       | 1.2.840.10008.5.1.4.1.1.6.1   | DICOM Explicit VR Big Endian    | 1.2.840.10008.1.2.2 | SCP  | None      |
| US Image (Retired)             | 1.2.840.10008.5.1.4.1.1.6     | DICOM Implicit VR Little Endian | 1.2.840.10008.1.2   | SCP  | None      |
| US Image (Retired)             | 1.2.840.10008.5.1.4.1.1.6     | DICOM Explicit VR Little Endian | 1.2.840.10008.1.2.1 | SCP  | None      |
| US Image (Retired)             | 1.2.840.10008.5.1.4.1.1.6     | DICOM Explicit VR Big Endian    | 1.2.840.10008.1.2.2 | SCP  | None      |
| US Multi Frame Image           | 1.2.840.10008.5.1.4.1.1.3.1   | DICOM Implicit VR Little Endian | 1.2.840.10008.1.2   | SCP  | None      |
| US Multi Frame Image           | 1.2.840.10008.5.1.4.1.1.3.1   | DICOM Explicit VR Little Endian | 1.2.840.10008.1.2.1 | SCP  | None      |
| US Multi Frame Image           | 1.2.840.10008.5.1.4.1.1.3.1   | DICOM Explicit VR Big Endian    | 1.2.840.10008.1.2.2 | SCP  | None      |
| US Multi Frame Image (Retired) | 1.2.840.10008.5.1.4.1.1.3     | DICOM Implicit VR Little Endian | 1.2.840.10008.1.2   | SCP  | None      |
| US Multi Frame Image (Retired) | 1.2.840.10008.5.1.4.1.1.3     | DICOM Explicit VR Little Endian | 1.2.840.10008.1.2.1 | SCP  | None      |
| US Multi Frame Image (Retired) | 1.2.840.10008.5.1.4.1.1.3     | DICOM Explicit VR Big Endian    | 1.2.840.10008.1.2.2 | SCP  | None      |
| DX Image for Presentation      | 1.2.840.10008.5.1.4.1.1.1.1   | DICOM Implicit VR Little Endian | 1.2.840.10008.1.2   | SCP  | None      |
| DX Image for Presentation      | 1.2.840.10008.5.1.4.1.1.1.1   | DICOM Implicit VR Little Endian | 1.2.840.10008.1.2.1 | SCP  | None      |
| DX Image for Presentation      | 1.2.840.10008.5.1.4.1.1.1.1   | DICOM Implicit VR Little Endian | 1.2.840.10008.1.2.2 | SCP  | None      |
| DX Image for Processing        | 1.2.840.10008.5.1.4.1.1.1.1.1 | DICOM Implicit VR Little Endian | 1.2.840.10008.1.2   | SCP  | None      |
| DX Image for Processing        | 1.2.840.10008.5.1.4.1.1.1.1.1 | DICOM Implicit VR Little Endian | 1.2.840.10008.1.2.1 | SCP  | None      |
| DX Image for Processing        | 1.2.840.10008.5.1.4.1.1.1.1.1 | DICOM Implicit VR Little Endian | 1.2.840.10008.1.2.2 | SCP  | None      |
| MG Image for Presentation      | 1.2.840.10008.5.1.4.1.1.1.2   | DICOM Implicit VR Little Endian | 1.2.840.10008.1.2   | SCP  | None      |

| Abstract Syntax              |                                | Transfer Syntax                 |                     | Role | Ext. Neg. |
|------------------------------|--------------------------------|---------------------------------|---------------------|------|-----------|
| Name                         | UID                            | Name                            | UID                 |      |           |
| MG Image for Presentation    | 1.2.840.10008.5.1.4.1.1.1.2    | DICOM Explicit VR Little Endian | 1.2.840.10008.1.2.1 | SCP  | None      |
| MG Image for Presentation    | 1.2.840.10008.5.1.4.1.1.1.2    | DICOM Explicit VR Big Endian    | 1.2.840.10008.1.2.2 | SCP  | None      |
| MG Image for Processing      | 1.2.840.10008.5.1.4.1.1.1.2.1  | DICOM Implicit VR Little Endian | 1.2.840.10008.1.2   | SCP  | None      |
| MG Image for Processing      | 1.2.840.10008.5.1.4.1.1.1.2.1  | DICOM Explicit VR Little Endian | 1.2.840.10008.1.2.1 | SCP  | None      |
| MG Image for Processing      | 1.2.840.10008.5.1.4.1.1.1.2.1  | DICOM Explicit VR Big Endian    | 1.2.840.10008.1.2.2 | SCP  | None      |
| IO Image for Presentation    | 1.2.840.10008.5.1.4.1.1.1.3    | DICOM Implicit VR Little Endian | 1.2.840.10008.1.2   | SCP  | None      |
| IO Image for Presentation    | 1.2.840.10008.5.1.4.1.1.1.3    | DICOM Explicit VR Little Endian | 1.2.840.10008.1.2.1 | SCP  | None      |
| IO Image for Presentation    | 1.2.840.10008.5.1.4.1.1.1.3    | DICOM Explicit VR Big Endian    | 1.2.840.10008.1.2.2 | SCP  | None      |
| IO Image for Processing      | 1.2.840.10008.5.1.4.1.1.1.3.1  | DICOM Implicit VR Little Endian | 1.2.840.10008.1.2   | SCP  | None      |
| IO Image for Processing      | 1.2.840.10008.5.1.4.1.1.1.3.1  | DICOM Explicit VR Little Endian | 1.2.840.10008.1.2.1 | SCP  | None      |
| IO Image for Processing      | 1.2.840.10008.5.1.4.1.1.1.3.1  | DICOM Explicit VR Big Endian    | 1.2.840.10008.1.2.2 | SCP  | None      |
| RT Image Storage             | 1.2.840.10008.5.1.4.1.1.481.1  | DICOM Implicit VR Little Endian | 1.2.840.10008.1.2   | SCP  | None      |
| RT Image Storage             | 1.2.840.10008.5.1.4.1.1.481.1  | DICOM Explicit VR Little Endian | 1.2.840.10008.1.2.1 | SCP  | None      |
| RT Image Storage             | 1.2.840.10008.5.1.4.1.1.481.1  | DICOM Explicit VR Big Endian    | 1.2.840.10008.1.2.2 | SCP  | None      |
| VL Endoscopic Image Storage  | 1.2.840.10008.5.1.4.1.1.77.1.1 | DICOM Implicit VR Little Endian | 1.2.840.10008.1.2   | SCP  | None      |
| VL Endoscopic Image Storage  | 1.2.840.10008.5.1.4.1.1.77.1.1 | DICOM Explicit VR Little Endian | 1.2.840.10008.1.2.1 | SCP  | None      |
| VL Endoscopic Image Storage  | 1.2.840.10008.5.1.4.1.1.77.1.1 | DICOM Explicit VR Big Endian    | 1.2.840.10008.1.2.2 | SCP  | None      |
| VL Microscopic Image Storage | 1.2.840.10008.5.1.4.1.1.77.1.2 | DICOM Implicit VR Little Endian | 1.2.840.10008.1.2   | SCP  | None      |
| VL Microscopic Image Storage | 1.2.840.10008.5.1.4.1.1.77.1.2 | DICOM Explicit VR Little Endian | 1.2.840.10008.1.2.1 | SCP  | None      |
| VL Microscopic Image Storage | 1.2.840.10008.5.1.4.1.1.77.1.2 | DICOM Explicit VR Big Endian    | 1.2.840.10008.1.2.2 | SCP  | None      |



| Abstract Syntax                                |                                | Transfer Syntax                 |                     | Role | Ext. Neg. |
|--|--------------------------------|---------------------------------|---------------------|------|-----------|
| Name   | UID                            | Name                            | UID                 |      |           |
| VL Slide Coordinates Microscopic Image Storage | 1.2.840.10008.5.1.4.1.1.77.1.3 | DICOM Implicit VR Little Endian | 1.2.840.10008.1.2   | SCP  | None      |
| VL Slide Coordinates Microscopic Image Storage | 1.2.840.10008.5.1.4.1.1.77.1.3 | DICOM Explicit VR Little Endian | 1.2.840.10008.1.2.1 | SCP  | None      |
| VL Slide Coordinates Microscopic Image Storage | 1.2.840.10008.5.1.4.1.1.77.1.3 | DICOM Explicit VR Big Endian    | 1.2.840.10008.1.2.2 | SCP  | None      |
| VL Photographic Image Storage                  | 1.2.840.10008.5.1.4.1.1.77.1.4 | DICOM Implicit VR Little Endian | 1.2.840.10008.1.2   | SCP  | None      |
| VL Photographic Image Storage                  | 1.2.840.10008.5.1.4.1.1.77.1.4 | DICOM Explicit VR Little Endian | 1.2.840.10008.1.2.1 | SCP  | None      |
| VL Photographic Image Storage                  | 1.2.840.10008.5.1.4.1.1.77.1.4 | DICOM Explicit VR Big Endian    | 1.2.840.10008.1.2.2 | SCP  | None      |
| X-Ray Angiographic Bi-Plane Image Storage      | 1.2.840.10008.5.1.4.1.1.12.3   | DICOM Implicit VR Little Endian | 1.2.840.10008.1.2   | SCP  | None      |
| X-Ray Angiographic Bi-Plane Image Storage      | 1.2.840.10008.5.1.4.1.1.12.3   | DICOM Explicit VR Little Endian | 1.2.840.10008.1.2.1 | SCP  | None      |
| X-Ray Angiographic Bi-Plane Image Storage      | 1.2.840.10008.5.1.4.1.1.12.3   | DICOM Explicit VR Big Endian    | 1.2.840.10008.1.2.2 | SCP  | None      |
| Positron Emission Tomography                   | 1.2.840.10008.5.1.4.1.1.128    | DICOM Implicit VR Little Endian | 1.2.840.10008.1.2   | SCP  | None      |
| Positron Emission Tomography                   | 1.2.840.10008.5.1.4.1.1.128    | DICOM Explicit VR Little Endian | 1.2.840.10008.1.2.1 | SCP  | None      |
| Positron Emission Tomography                   | 1.2.840.10008.5.1.4.1.1.128    | DICOM Explicit VR Big Endian    | 1.2.840.10008.1.2.2 | SCP  | None      |
| Stand-alone PET Curve Storage                  | 1.2.840.10008.5.1.4.1.1.129    | DICOM Implicit VR Little Endian | 1.2.840.10008.1.2   | SCP  | None      |

| Abstract Syntax                   |                               | Transfer Syntax                 |                     | Role | Ext. Neg. |
|-----------------------------------|-------------------------------|---------------------------------|---------------------|------|-----------|
| Name                              | UID                           | Name                            | UID                 |      |           |
| Stand-alone PET Curve Storage     | 1.2.840.10008.5.1.4.1.1.129   | DICOM Implicit VR Little Endian | 1.2.840.10008.1.2   | SCP  | None      |
| Stand-alone PET Curve Storage     | 1.2.840.10008.5.1.4.1.1.129   | DICOM Explicit VR Little Endian | 1.2.840.10008.1.2.1 | SCP  | None      |
| Key Object Selection Document     | 1.2.840.10008.5.1.4.1.1.88.59 | DICOM Implicit VR Little Endian | 1.2.840.10008.1.2   | SCP  | None      |
| Key Object Selection Document     | 1.2.840.10008.5.1.4.1.1.88.59 | DICOM Explicit VR Little Endian | 1.2.840.10008.1.2.1 | SCP  | None      |
| Key Object Selection Document     | 1.2.840.10008.5.1.4.1.1.88.59 | DICOM Explicit VR Big Endian    | 1.2.840.10008.1.2.2 | SCP  | None      |
| RT Dose Storage                   | 1.2.840.10008.5.1.4.1.1.481.2 | DICOM Implicit VR Little Endian | 1.2.840.10008.1.2   | SCP  | None      |
| RT Dose Storage                   | 1.2.840.10008.5.1.4.1.1.481.2 | DICOM Explicit VR Little Endian | 1.2.840.10008.1.2.1 | SCP  | None      |
| RT Dose Storage                   | 1.2.840.10008.5.1.4.1.1.481.2 | DICOM Explicit VR Big Endian    | 1.2.840.10008.1.2.2 | SCP  | None      |
| RT Structure Set Storage          | 1.2.840.10008.5.1.4.1.1.481.3 | DICOM Implicit VR Little Endian | 1.2.840.10008.1.2   | SCP  | None      |
| RT Structure Set Storage          | 1.2.840.10008.5.1.4.1.1.481.3 | DICOM Explicit VR Little Endian | 1.2.840.10008.1.2.1 | SCP  | None      |
| RT Structure Set Storage          | 1.2.840.10008.5.1.4.1.1.481.3 | DICOM Explicit VR Big Endian    | 1.2.840.10008.1.2.2 | SCP  | None      |
| RT Beams Treatment Record Storage | 1.2.840.10008.5.1.4.1.1.481.4 | DICOM Implicit VR Little Endian | 1.2.840.10008.1.2   | SCP  | None      |
| RT Beams Treatment Record Storage | 1.2.840.10008.5.1.4.1.1.481.4 | DICOM Explicit VR Little Endian | 1.2.840.10008.1.2.1 | SCP  | None      |
| RT Beams Treatment Record Storage | 1.2.840.10008.5.1.4.1.1.481.4 | DICOM Explicit VR Big Endian    | 1.2.840.10008.1.2.2 | SCP  | None      |
| RT Plan Storage                   | 1.2.840.10008.5.1.4.1.1.481.5 | DICOM Implicit VR Little Endian | 1.2.840.10008.1.2   | SCP  | None      |
| RT Plan Storage                   | 1.2.840.10008.5.1.4.1.1.481.5 | DICOM Explicit VR Little Endian | 1.2.840.10008.1.2.1 | SCP  | None      |
| RT Plan Storage                   | 1.2.840.10008.5.1.4.1.1.481.5 | DICOM Explicit VR Big Endian    | 1.2.840.10008.1.2.2 | SCP  | None      |

| Abstract Syntax  |                               | Transfer Syntax                 |                     | Role | Ext. Neg. |
|--|-------------------------------|---------------------------------|---------------------|------|-----------|
| Name   | UID                           | Name                            | UID                 |      |           |
| RT Brachy Treatment Record Storage                         | 1.2.840.10008.5.1.4.1.1.481.6 | DICOM Implicit VR Little Endian | 1.2.840.10008.1.2   | SCP  | None      |
| RT Brachy Treatment Record Storage                         | 1.2.840.10008.5.1.4.1.1.481.6 | DICOM Explicit VR Little Endian | 1.2.840.10008.1.2.1 | SCP  | None      |
| RT Brachy Treatment Record Storage                         | 1.2.840.10008.5.1.4.1.1.481.6 | DICOM Explicit VR Big Endian    | 1.2.840.10008.1.2.2 | SCP  | None      |
| RT Treatment Summary Record Storage                        | 1.2.840.10008.5.1.4.1.1.481.7 | DICOM Implicit VR Little Endian | 1.2.840.10008.1.2   | SCP  | None      |
| RT Treatment Summary Record Storage                        | 1.2.840.10008.5.1.4.1.1.481.7 | DICOM Explicit VR Little Endian | 1.2.840.10008.1.2.1 | SCP  | None      |
| RT Treatment Summary Record Storage                        | 1.2.840.10008.5.1.4.1.1.481.7 | DICOM Explicit VR Big Endian    | 1.2.840.10008.1.2.2 | SCP  | None      |
| Hardcopy Grayscale Image Storage                           | 1.2.840.10008.5.1.1.29        | DICOM Implicit VR Little Endian | 1.2.840.10008.1.2   | SCP  | None      |
| Hardcopy Grayscale Image Storage                           | 1.2.840.10008.5.1.1.29        | DICOM Explicit VR Little Endian | 1.2.840.10008.1.2.1 | SCP  | None      |
| Hardcopy Grayscale Image Storage                           | 1.2.840.10008.5.1.1.29        | DICOM Explicit VR Big Endian    | 1.2.840.10008.1.2.2 | SCP  | None      |
| Hardcopy Color Image Storage                               | 1.2.840.10008.5.1.1.30        | DICOM Implicit VR Little Endian | 1.2.840.10008.1.2   | SCP  | None      |
| Hardcopy Color Image Storage                               | 1.2.840.10008.5.1.1.30        | DICOM Explicit VR Little Endian | 1.2.840.10008.1.2.1 | SCP  | None      |
| Hardcopy Color Image Storage                               | 1.2.840.10008.5.1.1.30        | DICOM Explicit VR Big Endian    | 1.2.840.10008.1.2.2 | SCP  | None      |
| Multi-Frame Grayscale Byte Secondary Capture Image Storage | 1.2.840.10008.5.1.4.1.1.7.2   | DICOM Implicit VR Little Endian | 1.2.840.10008.1.2   | SCP  | None      |
| Multi-Frame Grayscale Byte Secondary Capture Image Storage | 1.2.840.10008.5.1.4.1.1.7.2   | DICOM Explicit VR Little Endian | 1.2.840.10008.1.2.1 | SCP  | None      |

| Abstract Syntax  |                              | Transfer Syntax                 |                     | Role | Ext. Neg. |
|--|------------------------------|---------------------------------|---------------------|------|-----------|
| Name   | UID                          | Name                            | UID                 |      |           |
| Multi-Frame Grayscale Byte Secondary Capture Image Storage | 1.2.840.10008.5.1.4.1.1.7.2  | DICOM Explicit VR Big Endian    | 1.2.840.10008.1.2.2 | SCP  | None      |
| Multi-Frame Grayscale Word Secondary Capture Image Storage | 1.2.840.10008.5.1.4.1.1.7.3  | DICOM Implicit VR Little Endian | 1.2.840.10008.1.2   | SCP  | None      |
| Multi-Frame Grayscale Word Secondary Capture Image Storage | 1.2.840.10008.5.1.4.1.1.7.3  | DICOM Explicit VR Little Endian | 1.2.840.10008.1.2.1 | SCP  | None      |
| Multi-Frame Grayscale Word Secondary Capture Image Storage | 1.2.840.10008.5.1.4.1.1.7.3  | DICOM Explicit VR Big Endian    | 1.2.840.10008.1.2.2 | SCP  | None      |
| Visible Light Image Storage (Retired)                      | 1.2.840.10008.5.1.4.1.1.77.1 | DICOM Implicit VR Little Endian | 1.2.840.10008.1.2   | SCP  | None      |
| Visible Light Image Storage (Retired)                      | 1.2.840.10008.5.1.4.1.1.77.1 | DICOM Explicit VR Little Endian | 1.2.840.10008.1.2.1 | SCP  | None      |
| Visible Light Image Storage (Retired)                      | 1.2.840.10008.5.1.4.1.1.77.1 | DICOM Explicit VR Big Endian    | 1.2.840.10008.1.2.2 | SCP  | None      |
| Visible Light Multi-Frame Image Storage (Retired)          | 1.2.840.10008.5.1.4.1.1.77.2 | DICOM Implicit VR Little Endian | 1.2.840.10008.1.2   | SCP  | None      |
| Visible Light Multi-Frame Image Storage (Retired)          | 1.2.840.10008.5.1.4.1.1.77.2 | DICOM Explicit VR Little Endian | 1.2.840.10008.1.2.1 | SCP  | None      |
| Visible Light Multi-Frame Image Storage (Retired)          | 1.2.840.10008.5.1.4.1.1.77.2 | DICOM Explicit VR Big Endian    | 1.2.840.10008.1.2.2 | SCP  | None      |
| Nuclear Medicine Image Storage (Retired)                   | 1.2.840.10008.5.1.4.1.1.5    | DICOM Implicit VR Little Endian | 1.2.840.10008.1.2   | SCP  | None      |

| Abstract Syntax                          |                               | Transfer Syntax                 |                     | Role | Ext. Neg. |
|--|-------------------------------|---------------------------------|---------------------|------|-----------|
| Name                                     | UID                           | Name                            | UID                 |      |           |
| Nuclear Medicine Image Storage (Retired) | 1.2.840.10008.5.1.4.1.1.5     | DICOM Explicit VR Little Endian | 1.2.840.10008.1.2.1 | SCP  | None      |
| Nuclear Medicine Image Storage (Retired) | 1.2.840.10008.5.1.4.1.1.5     | DICOM Explicit VR Big Endian    | 1.2.840.10008.1.2.2 | SCP  | None      |
| Basic Text SR Storage                    | 1.2.840.10008.5.1.4.1.1.88.11 | DICOM Implicit VR Little Endian | 1.2.840.10008.1.2   | SCP  | None      |
| Basic Text SR Storage                    | 1.2.840.10008.5.1.4.1.1.88.11 | DICOM Explicit VR Little Endian | 1.2.840.10008.1.2.1 | SCP  | None      |
| Basic Text SR Storage                    | 1.2.840.10008.5.1.4.1.1.88.11 | DICOM Explicit VR Big Endian    | 1.2.840.10008.1.2.2 | SCP  | None      |
| Enhanced SR Storage                      | 1.2.840.10008.5.1.4.1.1.88.22 | DICOM Implicit VR Little Endian | 1.2.840.10008.1.2   | SCP  | None      |
| Enhanced SR Storage                      | 1.2.840.10008.5.1.4.1.1.88.22 | DICOM Explicit VR Little Endian | 1.2.840.10008.1.2.1 | SCP  | None      |
| Enhanced SR Storage                      | 1.2.840.10008.5.1.4.1.1.88.22 | DICOM Explicit VR Big Endian    | 1.2.840.10008.1.2.2 | SCP  | None      |
| Comprehensive SR Storage                 | 1.2.840.10008.5.1.4.1.1.88.33 | DICOM Implicit VR Little Endian | 1.2.840.10008.1.2   | SCP  | None      |
| Comprehensive SR Storage                 | 1.2.840.10008.5.1.4.1.1.88.33 | DICOM Explicit VR Little Endian | 1.2.840.10008.1.2.1 | SCP  | None      |
| Comprehensive SR Storage                 | 1.2.840.10008.5.1.4.1.1.88.33 | DICOM Explicit VR Big Endian    | 1.2.840.10008.1.2.2 | SCP  | None      |
| Stand-alone Overlay Storage              | 1.2.840.10008.5.1.4.1.1.8     | DICOM Implicit VR Little Endian | 1.2.840.10008.1.2   | SCP  | None      |
| Stand-alone Overlay Storage              | 1.2.840.10008.5.1.4.1.1.8     | DICOM Explicit VR Little Endian | 1.2.840.10008.1.2.1 | SCP  | None      |
| Stand-alone Overlay Storage              | 1.2.840.10008.5.1.4.1.1.8     | DICOM Explicit VR Big Endian    | 1.2.840.10008.1.2.2 | SCP  | None      |
| Stand-alone Curve Storage                | 1.2.840.10008.5.1.4.1.1.9     | DICOM Implicit VR Little Endian | 1.2.840.10008.1.2   | SCP  | None      |
| Stand-alone Curve Storage                | 1.2.840.10008.5.1.4.1.1.9     | DICOM Explicit VR Little Endian | 1.2.840.10008.1.2.1 | SCP  | None      |
| Stand-alone Curve Storage                | 1.2.840.10008.5.1.4.1.1.9     | DICOM Explicit VR Big Endian    | 1.2.840.10008.1.2.2 | SCP  | None      |
| Stand-alone Modality LUT Storage         | 1.2.840.10008.5.1.4.1.1.10    | DICOM Implicit VR Little Endian | 1.2.840.10008.1.2   | SCP  | None      |

| Abstract Syntax                  |                            | Transfer Syntax                 |                     | Role | Ext. Neg. |
|----------------------------------|----------------------------|---------------------------------|---------------------|------|-----------|
| Name                             | UID                        | Name                            | UID                 |      |           |
| Stand-alone Modality LUT Storage | 1.2.840.10008.5.1.4.1.1.10 | DICOM Explicit VR Little Endian | 1.2.840.10008.1.2.1 | SCP  | None      |
| Stand-alone Modality LUT Storage | 1.2.840.10008.5.1.4.1.1.10 | DICOM Explicit VR Big Endian    | 1.2.840.10008.1.2.2 | SCP  | None      |
| Stand-alone VOI LUT Storage      | 1.2.840.10008.5.1.4.1.1.11 | DICOM Implicit VR Little Endian | 1.2.840.10008.1.2   | SCP  | None      |
| Stand-alone VOI LUT Storage      | 1.2.840.10008.5.1.4.1.1.11 | DICOM Explicit VR Little Endian | 1.2.840.10008.1.2.1 | SCP  | None      |
| Stand-alone VOI LUT Storage      | 1.2.840.10008.5.1.4.1.1.11 | DICOM Explicit VR Big Endian    | 1.2.840.10008.1.2.2 | SCP  | None      |

#### 3.1.3.2.4 Transfer Syntax Selection Policies

CD Direct prefers an explicit Transfer Syntax encoding. If offered a choice of Transfer Syntax in a Presentation Context, it will apply the following priorities to the choice of Transfer Syntax:

- DICOM Explicit VR Little Endian
- DICOM Explicit VR Big Endian
- DICOM Implicit VR Little Endian (Default)

---

## **4 Communication Profiles**

### **4.1 Supported Communications Stacks (Parts 8, 9)**

CD Direct provides DICOM 3.0 TCP/IP Network Communication Support as defined in Part 8 of the DICOM Standard.

### **4.2 TCP/IP Stack**

All the Application Entities in CD Direct inherit their TCP/IP stack from the NT system upon which they operate.

#### **4.2.1 Physical Media Support**

CD Direct is indifferent to the physical medium over which TCP/IP operates.

## **5 Extensions, Specialization, Privatization of SOP Classes, and Transfer Syntax**

Not applicable.

### **5.1 Configuration**

### **5.2 AE Title/Presentation Address Mapping**

This mapping is defined during the CD Direct installation procedure.

### **5.3 Configurable Parameters**

- Time-out
- DICOM port number
- Application entity title

---

## 6 Support of Extended Character Sets

Support Code Extension Techniques. The following character sets are supported:

ISO 2022 IR 6 (ASCII 7)

ISO 2022 IR 100 (Latin-1, ISO-8859-1) for most European Languages

ISO 2022 IR 87 (JIS X 208) for Japanese

ISO 2022 IR 159 (JIS X 212) for Japanese

ISO 2022 IR 13 (JIS X 201 ROMAN) for Japanese

ISO 2022 IR 13 (JIS X 201) for Japanese

ISO 2022 IR 149 (KS X 101) for Korean

GB18030 (GB18030) for Chinese

ISO IR 192 (UTF-8) for Chinese



---

---

[www.kodak.com/go/health](http://www.kodak.com/go/health)

Eastman Kodak Company  
Health Imaging Division  
Rochester, NY 14650  
USA

Kodak Canada Inc.  
Toronto, Ontario M6M 1V3  
Canada

Eastman Kodak Europe  
Hedelfingerstrasse 60  
70327 Stuttgart  
Germany

---

Publication # 9F0729  
© Eastman Kodak Company, 2004  
Rochester, NY 14650

Kodak and DirectView are trademarks of Eastman Kodak Company.

