



Carestream DRX-1 Product Family
Software Version 5.7

DICOM Conformance Statement

September 25, 2013

Document # 6K8021

Table of Contents

| | |
|---|-----------|
| INTRODUCTION | 4 |
| 1.1 EXECUTIVE OVERVIEW | 4 |
| 1.1.1 DRX-1 PRODUCT FAMILY | 4 |
| 1.2 SUPPORTED DICOM SOP CLASSES | 4 |
| 1.3 SCOPE AND FIELD OF APPLICATION | 6 |
| 1.4 IMPORTANT CONSIDERATIONS FOR THE READER | 6 |
| 1.5 ACCESSING THIS CONFORMANCE STATEMENT ON THE WORLD WIDE WEB | 6 |
| 1.6 DEFINITIONS, ACRONYMS, ABBREVIATIONS | 7 |
| 2 IMPLEMENTATION MODEL..... | 8 |
| 2.1 FUNCTIONAL DEFINITIONS..... | 8 |
| 2.2 SEQUENCING OF REAL-WORLD ACTIVITIES..... | 9 |
| 3 APPLICATION ENTITY SPECIFICATIONS..... | 9 |
| 3.1 ASSOCIATION ESTABLISHMENT POLICIES | 9 |
| 3.1.1 <i>General</i> | 9 |
| 3.1.2 <i>Number of Associations</i> | 10 |
| 3.1.3 <i>Asynchronous Nature</i> | 10 |
| 3.1.4 <i>Implementation Identifying Information</i> | 10 |
| 3.2 ASSOCIATION INITIATION POLICY | 11 |
| 3.2.1 <i>Associated Real-World Activity</i> | 11 |
| 3.2.2 <i>Presentation Context Table</i> | 11 |
| 3.2.3 <i>SOP Specific Conformance</i> | 13 |
| 3.3 ASSOCIATION ACCEPTANCE POLICY | 13 |
| 3.4 BASIC PRINT MANAGEMENT META SOP CLASS | 13 |
| 3.4.1 <i>Basic Film Session SOP Class</i> | 14 |
| 3.4.2 <i>Basic Film Box SOP Class</i> | 14 |
| 3.4.3 <i>Basic Image Box SOP Class</i> | 16 |
| 3.4.4 <i>Printer SOP Class</i> | 17 |
| 3.5 STORE SERVICE CLASSES..... | 19 |
| 3.5.1 <i>Digital X-Ray Image Storage</i> | 20 |
| 3.5.2 <i>Computed Radiography Image Storage</i> | 33 |
| 3.5.3 <i>Grayscale Softcopy Presentation State IOD</i> | 40 |
| 3.5.4 <i>X-Ray Radiation Dose SR</i> | 45 |
| 3.6 BASIC WORK LIST SERVICE | 49 |
| 3.6.1 <i>Modality Work List IOD</i> | 49 |
| 3.6.2 <i>Procedure Mapping</i> | 52 |
| 3.7 MODALITY PERFORMED PROCEDURE STEP NOTIFICATION SOP CLASS | 52 |
| 3.7.1 <i>Modality Performed Procedure Step Notification IOD</i> | 52 |
| 3.8 STORAGE COMMITMENT PUSH MODEL SOP CLASS..... | 56 |
| 3.8.1 <i>DIMSE Service N-ACTION</i> | 56 |
| 3.8.2 <i>DIMSE Service N-EVENT-REPORT</i> | 57 |
| 3.9 PRIORS | 57 |
| 3.9.1 <i>DICOM Query C-FIND</i> | 57 |
| 3.9.2 <i>DICOM Retrieve C-MOVE</i> | 60 |
| 3.10 STRUCTURED REPORTS | 61 |
| 4 COMMUNICATION PROFILES | 73 |
| 4.1 SUPPORTED COMMUNICATIONS STACKS..... | 73 |
| 4.2 PHYSICAL MEDIA SUPPORT..... | 73 |

| | | |
|-------------------|--|-----------|
| 5 | EXTENSIONS/SPECIALIZATIONS/PRIVATIZATIONS | 73 |
| 5.1 | COMPUTED RADIOGRAPHY IOD | 73 |
| 5.1.1 | <i>Specialization of Pixel Spacing</i> | 73 |
| 5.1.2 | <i>Alternate Image Display Spaces</i> | 73 |
| 5.1.3 | <i>Extension for P-Value Encoding</i> | 74 |
| 5.1.4 | <i>Extension to Body part Examined, View Position and Patient Position</i> | 74 |
| 6 | CONFIGURATION..... | 74 |
| 7 | SUPPORT OF EXTENDED CHARACTER SETS | 75 |
| 8 | ERROR HANDLING | 76 |
| ADDENDUM A | SUPPORTED SNOMED CODE VALUES..... | 77 |
| ADDENDUM B | INPUT FIELD/DICOM TAG CROSS REFERENCE..... | 85 |

Introduction

1.1 Executive Overview

This document applies to the *Carestream* DRX-1 Family of products operating Capture Console version 5.7 software. When the document makes reference to the *DRX-1 System* it applies to all products unless otherwise noted.

1.1.1 DRX-1 Product Family

- *Carestream* DRX-1 System
- *Carestream* DRX-Mobile Retrofit Kit
- *Carestream* DRX-Transportable Retrofit Kit
- *Carestream* DRX-Ascend
- *Carestream* DRX-Revolution

1.2 Supported DICOM SOP Classes

Table 1.2A Supported DICOM SOP Classes for Verification

| SOP Class Name | SOP Class UID | Service Class Role |
|------------------------|-------------------|--------------------|
| Verification SOP Class | 1.2.840.10008.1.1 | SCU, SCP |

Table 1.2B Supported DICOM SOP Classes for Image Delivery

| SOP Class Name | SOP Class UID | Service Class Role |
|---|-------------------------------|--------------------|
| Basic Grayscale Print Management Meta SOP Class | 1.2.840.10008.5.1.1.9 | SCU |
| Computed Radiography Image Storage | 1.2.840.10008.5.1.4.1.1.1 | SCU |
| Digital X-Ray Image Storage – For Presentation | 1.2.840.10008.5.1.4.1.1.1.1 | SCU |
| Digital X-Ray Image Storage – For Processing | 1.2.840.10008.5.1.4.1.1.1.1.1 | SCU |
| Grayscale Softcopy Presentation State Storage SOP Class | 1.2.840.10008.5.1.4.1.1.11.1 | SCU |

Table 1.2C Supported DICOM SOP Classes for Modality Work List

| SOP Class Name | SOP Class UID | Service Class Role |
|---|------------------------|--------------------|
| Modality Work List Information Model – FIND | 1.2.840.10008.5.1.4.31 | SCU |

Table 1.2D Supported DICOM SOP Classes for MPPS

| SOP Class Name | SOP Class UID | Service Class Role |
|---|-------------------------|--------------------|
| Modality Performed Procedure Step SOP Class | 1.2.840.10008.3.1.2.3.3 | SCU |

Table 1.2E Supported DICOM SOP Classes for Storage Commit

| SOP Class Name | SOP Class UID | Service Class Role |
|---|----------------------|--------------------|
| Storage Commitment Push Model SOP Class | 1.2.840.10008.1.20.1 | SCU |

Table 1.2F Supported DICOM SOP Classes for Prior Image Recall Feature Only

| SOP Class Name | SOP Class UID | Service Class Role |
|---|------------------------------|--------------------|
| Study Root Query Retrieve Information Model - FIND | 1.2.840.10008.5.1.4.1.2.2.1 | SCU |
| Study Root Query Retrieve Information Model - MOVE | 1.2.840.10008.5.1.4.1.2.2.2 | SCU |
| CR Image Storage | 1.2.840.10008.5.1.4.1.1.1.1 | SCP |
| Digital X-Ray Image Storage – For Presentation | 1.2.840.10008.5.1.4.1.1.1 | SCP |
| Grayscale Softcopy Presentation State Storage SOP Class | 1.2.840.10008.5.1.4.1.1.11.1 | SCP |

Table 1.2G Supported DICOM SOP Classes for Dose SR Storage

| SOP Class Name | SOP Class UID | Service Class Role |
|-------------------------|-------------------------------|--------------------|
| X-Ray Radiation Dose SR | 1.2.840.10008.5.1.4.1.1.88.67 | SCU |

1.3 Scope and Field of Application

This document describes the DICOM functionality of the *Carestream* DRX-1 family of products. A *Carestream* DRX-1 product is capable of performing projection radiographic examinations and producing a digital image. Throughout the remainder of this document the term ***DRX-1 System*** shall refer to products in the DRX-1 product family (see section 1.1.1), operating with a *Carestream* DRX-1, a *Carestream* DRX-1C, a Varian PaxScan 4343R, or a *Carestream* DRX-2530C detector.

The *DRX-1 System* acts as a DICOM Service Class User (SCU) that performs transactions over a TCP/IP network via the DICOM messages exchange protocol.

1.4 Important Considerations for the Reader

This DICOM Conformance Statement by itself is not sufficient to guarantee successful connectivity between the *DRX-1 System* and equipment from other vendors. The following considerations should be made:

- The integration of equipment from different vendors (including Carestream) goes beyond the scope of the DICOM 3.0 standard and the DICOM Conformance Statements from Carestream and other vendors. It is the responsibility of the user (or user's agent) to assess the application requirements and to design a solution that integrates Carestream equipment with equipment from other vendors.
- When the comparison of this DICOM Conformance Statement with a DICOM Conformance Statement from another vendor indicates that connectivity should be possible, it is the responsibility of the user (or user's agent) to verify this by carrying out validation tests and to check whether all required functionality is met.
- With regard to the future evolution of the DICOM 3.0 standard Carestream, Inc. reserves the right to make changes to the *DRX-1 System* architecture described in this document. The user (or user's agent) should ensure that any equipment connected via DICOM to Carestream equipment also follows the future evolution of the DICOM 3.0 standard. Failure to do so may result in (partial) loss of connectivity.

1.5 Accessing this Conformance Statement on the World Wide Web

As the *DRX-1 System* product changes, changes to this DICOM Conformance Statement are inevitable. To obtain the most recent revision of this DICOM Conformance Statement, access the following URL:

<http://www.carestream.com/dicom.html>

1.6 Definitions, Acronyms, Abbreviations

The following symbols and abbreviations are used in this document.

| | |
|---------|---|
| ASCII | American Standard Code for Information Interchange |
| AE | Application Entity |
| CR | Computed Radiography |
| DICOM | Digital Imaging and Communications in Medicine |
| DIMSE | DICOM Message Service Element |
| DR | Digital Radiography |
| DX | Digital X-Ray |
| GSPS | Grayscale Softcopy Presentation State |
| HIS/RIS | Hospital Information System / Radiology Information System. |
| IHE | Integrating the Healthcare Enterprise – initiative by healthcare professionals and industry to improve the way computer systems in healthcare share information |
| ISO | International Standards Organization |
| LUT | Look-up Table |
| MPPS | Modality Performed Procedure Step Notification SOP Class |
| MWL | Modality Work List |
| PDU | Protocol Data Unit |
| PLUT | Presentation Look-up Table |
| RDSR | Radiation Dose Structured Report |
| REM | Radiation Exposure Monitoring |
| SC | Secondary Capture |
| SCU | Service Class User |
| SCP | Service Class Provider |
| SCPM | Storage Commitment Push Model SOP Class |
| SOP | Service-Object Pair |
| SR | Structured Report |
| TCP/IP | Transmission Control Protocol/Internet Protocol |
| UID | Unique Identifier |

2 Implementation Model

This implementation model uses the DICOM Basic Print Management Meta SOP Class to deliver studies to remote printers. The DX Image Storage SOP Class is used to deliver studies to archives. Basic Work List Management service is used for the acquisition of patient demographics. DICOM Query/Retrieve service is used to retrieve prior images. The X-Ray Radiation Dose SR SOP Class is used to deliver dose information to archives and dose information consumers.

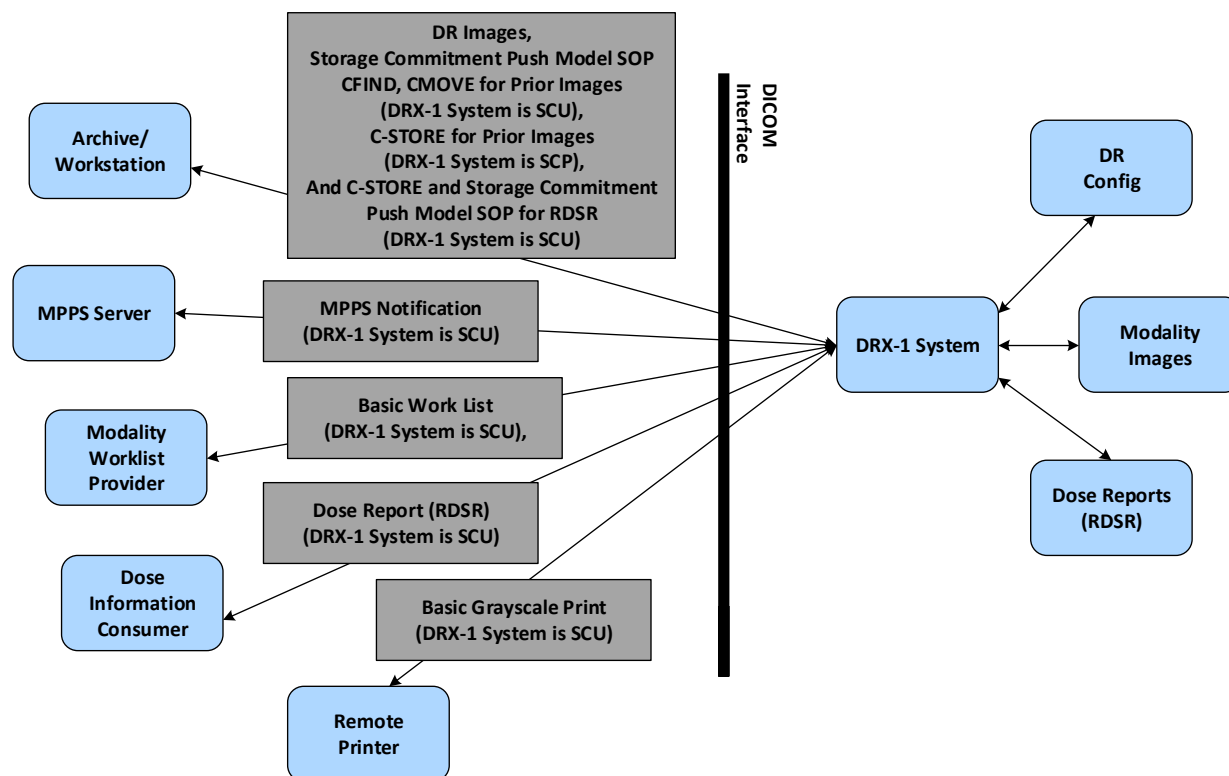


Figure 2.1 Implementation Model

2.1 Functional Definitions

The *DRX-1 System* is a digital radiographic image acquisition product utilizing a digital X-Ray detector. The system allows the technologist to acquire and identify images, review images for placement and motion, add markers, adjust image processing, manipulate images (flip, rotate, etc.), pan/zoom and route images to their final destinations. The system is capable of obtaining patient demographic information manually from the user interface, the Remote Patient Data

Entry System (RPDES) or via a DICOM Work List. The RPDES allows patient demographic data to be entered from remote computers for sites that do not support the DICOM Work List. The system is capable of automatic or on demand querying for and retrieving of prior radiographic images for any exams in the DICOM Work List and displaying those images to the technologist. The *DRX-1 System* is also capable of collecting individual procedure dose information related to specific patients and storing this dose information to Image Archive/Image Manager and/or Dose Information Consumers.

2.2 Sequencing of Real-World Activities

If a HIS/RIS service is present and the *DRX-1 System* has polling is enabled, the *DRX-1 System* establishes an association when the application is started to obtain a modality Work List. The Work List is used as a source of patient demographics. The *DRX-1 System* establishes an association with a selected SCP when *it* has collected sufficient information to begin sending images.

3 Application Entity Specifications

The *DRX-1 System* provides Standard Conformance to the SOP Classes described in Section [1.2](#) as an SCU.

3.1 Association Establishment Policies

3.1.1 General

3.1.1.1 Delivery

An Association may be attempted whenever a valid destination is selected and at least one image has been acquired.

The maximum PDU size, which the *DRX-1 System* will negotiate, is 128 Kbytes.

3.1.1.2 HIS/RIS

The *DRX-1 System* may be configured to poll the HIS/RIS broker at periodic intervals and/or asynchronously on demand from the user. If periodic polling is enabled, an association for Basic Work List will be attempted when the *DRX-1 System* application is started and then periodically thereafter.

3.1.1.3 Priors

The *DRX-1 System* may be configured to retrieve Prior images from the PACS as soon as the HIS/RIS record is retrieved, when the exam is started, or only when specifically requested by the Technologist.

3.1.1.4 Structured Reports

The *DRX-1 System* may be configured to deliver dose information to a PACS or any other system configured to receive Radiation Dose Structured Reports at the completion or discontinuation of an exam where irradiation events occurred.

The RDSR will be composed and sent on the completion or discontinuation of a procedure step not upon the completion of an irradiation event.

If an irradiation event occurs after the completion of an existing procedure step, the procedure step will be re-opened and a new RDSR will be composed and sent on the completion or discontinuation of the amended procedure step. The irradiation events will duplicate events reported in the subsequent RDSR, but this can be detected by a PACS or any other system configured to receive the RDSR since the same irradiation event UID will appear in both RDSR's that were sent.

3.1.2 Number of Associations

3.1.2.1 Delivery

Associations are initiated with the default limitation that no more than three total SCU delivery associations may be open at any given time to a print or a store destination. The default limitation for each class of destination may be increased to 6 by the service provider.

3.1.2.2 HIS/RIS

Two associations may be initiated at a time. The *DRX-1 System* will close each association after receiving a C-FIND response.

3.1.2.3 Priors

One C-FIND associations may be initiated at a time. The *DRX-1 System* will close each association after receiving a C-FIND response.

Two C-MOVE associations may be initiated at a time. The *DRX-1 System* will close each association after receiving a C-MOVE response.

3.1.2.4 Storage Commitment

Associations are initiated with the default limitation that no more than three total SCU storage commitment associations may be open at any given time. The default limitation may be increased to 6 by the service provider.

3.1.3 Asynchronous Nature

The *DRX-1 System* allows up to 1 invoked and 1 performed operation on an Association (it is synchronous).

3.1.4 Implementation Identifying Information

The *DRX-1 System* provides the Implementation Class UID of “1.2.840.113564.3.4.1”.

The implementation version name attribute is optional and is not used by the *DRX-1 System*.

The *DRX-1 System* establishes an Association using its network node name for the calling DICOM Application Entity title. The network node name is configurable through the *DRX-1 System Service Application*.

The *DRX-1 System* stores a called DICOM Application Entity Title and socket number for each DICOM compatible network destination it knows about.

3.2 Association Initiation Policy

3.2.1 Associated Real-World Activity

3.2.1.1 Delivery

The *DRX-1 System* initiates Associations for the purpose of sending images and associated information for printing to a Basic Grayscale Print Management SCP and archiving to an SC Image Storage SCP.

The default and well-known socket 5040 will be used for making the Association, unless a product service provider configures a different one.

3.2.1.2 HIS/RIS

The *DRX-1 System* initiates Associations for the purpose of obtaining the current Modality Work List IOD.

3.2.1.3 Priors

The *DRX-1 System* initiates Associations for the purpose of determining whether there are any prior images to be retrieved. If the *DRX-1 System* determines that there are prior images to be retrieved then another association is initiated for each image that is actually to be retrieved.

3.2.1.4 Structured Reports

The *DRX-1 System* initiates Associations for the purpose of sending Radiation Dose Structured Reports.

3.2.2 Presentation Context Table

The *DRX-1 System* proposes the Presentation Contexts shown in Table [3.1](#).

Table 3.1 Presentation Context Table

| Presentation Context Table | | | | | |
|---|-----------------------------------|--|--|-------------|--------------|
| Abstract Syntax | | Transfer Syntax | | | Ext. |
| Name | UID | Name List | UID | Role | Negot |
| Verification | 1.2.840.10008.1.1 | DICOM Implicit VR Little Endian | 1.2.840.10008.1.2 | SCU | None |
| Basic Grayscale Print Management | 1.2.840.10008.5.1.1.9 | DICOM Explicit VR Little Endian | 1.2.840.10008.1.2.1 | SCU | None |
| | | DICOM Implicit VR Little Endian | 1.2.840.10008.1.2 | | |
| Modality Work List | 1.2.840.10008.5.1.4.31 | DICOM Implicit VR Little Endian | 1.2.840.10008.1.2 | SCU | None |
| Computed Radiography Image Storage | 1.2.840.10008.5.1.4.1.1.1 | DICOM Explicit VR Little Endian | 1.2.840.10008.1.2.1 | SCU | None |
| | | DICOM Implicit VR Little Endian | 1.2.840.10008.1.2 | | |
| Digital X- Ray Image Storage – For Presentation | 1.2.840.10008.5.1.4.1.1.1. 1 | DICOM Explicit VR Little Endian | 1.2.840.10008.1.2.1 | SCU | None |
| | | DICOM Implicit VR Little Endian | 1.2.840.10008.1.2 | | |
| Digital X- Ray Image Storage – For Processing | 1.2.840.10008.5.1.4.1.1.1. 1.1 | DICOM Explicit VR Little Endian | 1.2.840.10008.1.2.1 | SCU | None |
| | | DICOM Implicit VR Little Endian | 1.2.840.10008.1.2 | | |
| Modality Performed Procedure Step Notification SOP Class | 1.2.840.10008.3.1.2.3.5 | DICOM Explicit VR Little Endian DICOM Implicit VR Little Endian | 1.2.840.10008.1.2.1 1.2.840.10008.1.2 | SCU | None |
| Storage Commitment Push Model SOP Class | 1.2.840.10008.1.20.1 | DICOM Explicit VR Little Endian | 1.2.840.10008.1.2.1 | SCU | None |
| | | DICOM Implicit VR Little Endian | 1.2.840.10008.1.2 | | |
| Grayscale Softcopy Presentation | 1.2.840.10008.5.1.4.1.1.1 1.1 | DICOM Explicit VR Little Endian DICOM Implicit | 1.2.840.10008.1.2.1 1.2.840.10008.1.2 | SCU | None |

| Presentation Context Table | | | | | |
|----------------------------|-----------------------------------|--|--|-----|------|
| Abstract Syntax | | Transfer Syntax | | | Ext. |
| State Storage SOP Class | | VR Little Endian | | | |
| X-Ray Radiation Dose SR | 1.2.840.10008.5.1.4.1.1.8 8.67 | DICOM Explicit VR Little Endian DICOM Implicit VR Little Endian | 1.2.840.10008.1.2.1 1.2.840.10008.1.2 | SCU | None |

3.2.3 SOP Specific Conformance

3.2.3.1 Verification

The *DRX-1 System* provides standard conformance to the DICOM Verification Service Class:

- When prompted by a user, the *DRX-1 System* will request verification of communication to a remote DICOM AE using the C-ECHO primitive.
- Upon receipt from an SCU of a verification of communication request, the *DRX-1 System* will issue confirmation.

3.2.3.2 Delivery

Association attempts will be retried if the SCP rejects the request with the RESULT = 2 (rejected transient) and the REASON = 1 (temporary congestion). If all Association attempts fail, then the user will be notified and the Film Session or Study is saved for resending or deletion. No undelivered image files are deleted without manual user direction.

3.3 Association Acceptance Policy

Upon receipt from an SCU of a verification of communication request, the *DRX-1 System* will issue confirmation.

3.4 Basic Print Management Meta SOP Class

The Meta SOP Class is defined by the set of supported SOP Classes depicted in Table [3.2](#).

Table 3.2 Meta SOP Class

| SOP Class | UID Value |
|------------------------------|-----------------------|
| Basic Film Session SOP Class | 1.2.840.10008.5.1.1.1 |
| Basic Film Box SOP Class | 1.2.840.10008.5.1.1.2 |

| SOP Class | UID Value |
|-------------------------------------|------------------------|
| Basic Grayscale Image Box SOP Class | 1.2.840.10008.5.1.1.4 |
| Printer SOP Class | 1.2.840.10008.5.1.1.16 |

3.4.1 Basic Film Session SOP Class

3.4.1.1 DIMSE Service N-CREATE

Table 3.3 Basic Film Session SOP Class – Supported Attributes

| Attribute | SCU Usage | Tag | Possible Values |
|--------------------|-----------|-------------|---|
| Number of Copies | U | (2000,0010) | 1 -> 99 |
| Print Priority | U | (2000,0020) | HIGH, MED, LOW |
| Medium Type | U | (2000,0030) | PAPER, CLEAR FILM, BLUE FILM, NONE |
| Film Destination | U | (2000,0040) | MAGAZINE, PROCESSOR, BIN_n (where n=1 to 9) |
| Film Session Label | U | (2000,0050) | Up to 64 characters may be provided |
| Memory Allocation | U | (2000,0060) | Not used |

3.4.1.2 DIMSE Service N-Action

The *DRX-1 System* uses the N-ACTION to instruct the SCP to print all films in the session. The *DRX-1 System* is configurable (when the destination is installed) to issue the N-ACTION at the Film Session for destinations known to support this optional service. If the destination is not known to support collation, the *DRX-1 System* will only issue the N-ACTION on the Film Box. For Print SCPs that conform to the N-ACTION specification in Part 4 section H.4.1.2.4 of the DICOM standard, the *DRX-1 System* expects that all film boxes will be collated when printed.

3.4.1.3 DIMSE Service N-SET

This service is not used.

3.4.1.4 DIMSE Service N-DELETE

This service is not used.

3.4.2 Basic Film Box SOP Class

3.4.2.1 DIMSE Service N-CREATE

Table 3.4 Basic Film Box SOP Class – Supported Attributes

| Attribute | SCU Usage | Tag | Possible Values |
|--|-----------|-------------|--|
| Image Display Format | M | (2010,0010) | <p><u>With no annotation being present, these formats may be used:</u></p> <p>STANDARD\C,R For LANDSCAPE Film Orientation, (C,R) may = (1,1), (1,2), (2,1), (2,2), (1,3), (3,1), (2,3), (3,2), (3,3)</p> <p>For PORTRAIT Film Orientation, (C,R) may = (1,1), (1,2), (2,1), (2,2), (3,1), (2,3), (3,2), (3,3)</p> <p><u>With annotation, the ROW Symmetric format is being used as following:</u></p> <p>With Image annotations alone: ROW\n,m,.., (n,m..) may = (1,1), (1,1,1,1), (1,1,1,1,1,1), (2,2), (2,2,2,2), (2,2,2,2,2,2), (3,3), (3,3,3,3), (3,3,3,3,3,3)</p> <p>With Page annotations alone: ROW\n,m,.., (n,m..) may = (1,1), (1,1,1), (2,1), (2,2,1), (3,1), (3,3,1), (3,3,3,1)</p> <p>With Image and Page annotation combined: ROW\n,m,.., (n,m..) may = (1,1,1), (1,1,1,1,1), (1,1,1,1,1,1,1), (2,2,1), (2,2,2,2,1), (2,2,2,2,2,2,1), (3,3,1), (3,3,3,3,1), (3,3,3,3,3,3,1)</p> |
| Referenced Film Session Sequence | M | (2010,0500) | |
| >Referenced SOP Class UID | M | (0008,1150) | |
| >Referenced SOP Instance UID | M | (0008,1155) | |
| Referenced Basic Image Box Sequence | - | (2010,0510) | Not sent. |
| Referenced Basic Annotation Box Sequence | - | (2010,0520) | Not used. |
| Film Orientation | U | (2010,0040) | PORTRAIT, LANDSCAPE |
| Film Size ID | U | (2010,0050) | 8INX10IN 8.5INX11IN 8.5INX12IN 10INX12IN 11INX14IN 14INX14IN 14INX17IN 10INX12IN A4 |
| Magnification Type | U | (2010,0060) | REPLICATE, BILINEAR, CUBIC, NONE Will be constant for the entire Film Box. |
| Max Density | U | (2010,0130) | 0-450 Configurable for Destination |
| Configuration Information | U | (2010,0150) | Not used. |
| Annotation Display Format ID | U | (2010,0030) | Not used |
| Smoothing Type | U | (2010,0080) | NORMAL (minimum cubic convolution error) ENHANCED ENHANCED1 Valid only for Magnification Type CUBIC. 0-15 |
| Border Density | U | (2010,0100) | 410 Configurable for Destination |

| Attribute | SCU Usage | Tag | Possible Values |
|--------------------------|-----------|-------------|--|
| Empty Image Density | U | (2010,0110) | Not used |
| Min Density | U | (2010,0120) | 0-410 (Value must be less than Max Density (2010,0130)) Configurable for Destination |
| Illumination | MC | (2010,015E) | Positive integer in units of cd/m ² Configurable for Destination |
| Reflective Ambient Light | MC | (2010,0160) | Positive integer in units of cd/m ² Configurable for Destination |
| Trim | U | (2010,0140) | YES and NO |

3.4.2.2 DIMSE Service N-ACTION

The *DRX-1 System* uses the N-ACTION to instruct the SCP to print the current film in the session.

3.4.2.3 DIMSE Service N-SET

This service is not used.

3.4.2.4 DIMSE Service N-DELETE

This service is not used.

3.4.3 Basic Image Box SOP Class

3.4.3.1 DIMSE Service N-SET

Table 3.5 Basic Image Box SOP Class – Supported Attributes

| Attribute & Usage | SCU Usage | Tag | Supported Values |
|---------------------------------------|-----------|-------------|--|
| Image Position | M | (2020,0010) | All values within the range of Image Display Format |
| Preformatted Grayscale Image Sequence | M | (2020,0110) | |
| >Samples Per Pixel | M | (0028,0002) | 1 |
| >Photometric Interpretation | M | (0028,0004) | MONOCHROME1, MONOCHROME2 (If the image space configured on the destination is set to density, MONOCHROME1 is set. If the image space configured on the destination is p-values or luminance, MONOCHROME2 is set. See section 5.1.3 for more information. |
| >Rows | M | (0028,0010) | Minimum Value 64 Maximum Values: Known for all <i>Carestream</i> printers, configurable for others. The aspect ratio is used with the printer's page extents, display format, etc. to calculate this value. |

| Attribute & Usage | SCU Usage | Tag | Supported Values |
|---------------------------|-----------|-------------|---|
| >Columns | M | (0028,0011) | Minimum Value 64 Maximum Values: Known for all <i>Carestream</i> printers, configurable for others. The aspect ratio is used with the printer's page extents, display format, etc. to calculate this value. |
| >Pixel Aspect Ratio | MC | (0028,0034) | R/C R, C = 1 to 9999 (Integer) Note: This attribute is always included, even if it is 1\1. It's value will always be 1\1 if Magnification Type is NONE |
| >Bits Allocated | M | | 16 |
| >Bits Stored | M | (0028,0101) | 12 |
| >High Bit | M | (0028,0102) | Bits Stored -1 |
| >Pixel Representation | M | (0028,0103) | 0000H (unsigned integer) |
| >Pixel Data | M | (7FE0,0010) | All values consistent with Bits Stored |
| Polarity | U | (2020,0020) | NORMAL |
| Magnification Type | U | (2010,0060) | REPLICATE, BILINEAR, CUBIC, NONE Note: Is always the same as the Magnification Type specified for the Film Box. |
| Smoothing Type | U | (2010,0080) | NORMAL, ENHANCED, ENHANCED1 Valid only for Magnification Type CUBIC. 0-15 Must be the same as the Smoothing Type specified for the Film Box. |
| Configuration Information | U | (2010,0150) | Not used. |
| Requested Image Size | U | (2020,0030) | Row length in mm up to the size of the printable image, which is a function of Image Display Format and Film Size ID. |

3.4.4 Printer SOP Class

3.4.4.1 DIMSE Service N-EVENT-REPORT

The *DRX-1 System* will process the indication of the N-EVENT-REPORT operation. Any string sent by the SCP is accepted and displayed on the *DRX-1 System* user interface. In this translation, all characters that are not space characters or in the ASCII range "A" - "Z" are stripped.

The *DRX-1 System* translates Attributes as described in Table 3.6. Other strings are not translated but may be displayed on a *DRX-1 System* user interface.

Table 3.6 Basic Image Box SOP Class – Supported Attributes

| Attribute | SCU Usage | Tag | Expected Values |
|-----------|-----------|-----|-----------------|
|-----------|-----------|-----|-----------------|

| Attribute | SCU Usage | Tag | Expected Values |
|---------------------|-----------|-------------|--|
| Printer Status | U | (2110,0010) | NORMAL WARNING FAILURE |
| Printer Status Info | U | (2110,0020) | Any valid string including the following. for NORMAL conditions: "NORMAL" for WARNING conditions: "RECEIVER FULL", "FILM JAM", "PRINTER NOT RDY", "PROCESSOR DOWN", "CHECK PROCESSOR", "PROC NOT READY", "NO RECEIVE MGZ", "NO SUPPLY MGZ", "NO TONER", "NO STATE", "CHECK RIBBON", "PRINTER BUSY", "OFFLINE", "PRINTER STOPPED", "CHECK SUPPLY MAG", "COVER OPEN", "PRINTER OFFLINE", "EXPOSURE FAILURE", "CHECK R MAG", "PROC NOT RDY", "STATE UNKNOWN", "CHECK INK CART", "INK OUT", "QUEUED", "SUPPLY EMPTY", "SUPPLY LOW", "BAD RECEIVE MGZ", "BAD SUPPLY MGZ", "FILM TRANSP ERR", "CHECK CHEMISTRY", "CHECK SORTER", "CHEMICALS LOW", "CHEMICALS EMPTY", |

| Attribute | SCU Usage | Tag | Expected Values |
|---|-----------|-------------|--|
| Printer Status Info (continued from previous page) | | | "FINISHER EMPTY", "FINISHER ERROR", "FINISHER LOW", "CHECK PROC", "PRINTER BUSY", "PROC DOWN", "PROC INIT", "PROC OVERFLOW FL", "PROC OVERFLOW HI", "PRINTER DOWN", "PRINTER INIT", "CALIBRATING", "CALIBRATION ERR", "ELEC CONFIG ERR", "ELEC DOWN", "ELEC SW ERROR", "EXPOSURE FAILURE", "REQ MED NOT INST", "REQ MED NOT AVAI", "RIBBON ERROR", "NO RIBBON", "UNKNOWN" for FAILURE conditions: "FATAL", "INVALID PAGE DES", "INSUFFIC MEMORY", "FATAL ERROR", "CHECK PRINTER", "PRINTER DOWN", "NO RESPONSE", "RIBBON MISMATCH", "TIME OUT", "UNKNOWN STATUS" |
| Printer Name | U | (2110,0030) | Any valid string |
| Manufacturer | U | (0008,0070) | Any valid string |
| Manufacturer Model Name | U | (0008,1090) | Any valid string |
| Device Serial Number | U | (0018,1000) | Any valid string |
| Software Version | U | (0018,1020) | Any valid string |
| Date of Last Calibration | U | (0018,1200) | Ignored |
| Time of Last Calibration | U | (0018,1201) | Ignored |

3.5 Store Service Classes

Table [1.2B](#) lists all the Storage SOP Classes that are supported by the *DRX-1 System*. The following tables list, for each Storage SOP Class, the attributes that the *DRX-1 System* supports.

3.5.1 Digital X-Ray Image Storage

The DRX-1 System provides standard conformance to the Digital X-Ray Image Storage SOP Class as an SCU.

Table 3.7 Digital X-Ray Image SOP Class – For Presentation

| SOP Class | SOP Class UID |
|--|-----------------------------|
| Digital X-Ray Image Storage – For Presentation | 1.2.840.10008.5.1.4.1.1.1.1 |

Table 3.8 Digital X-Ray Image SOP Class – For Processing

| SOP Class | SOP Class UID |
|--|-----------------------------|
| Digital X-Ray Image Storage – For Processing | 1.2.840.10008.5.1.4.1.1.1.1 |

Table 3.9 Digital X-Ray Image SOP Class – Supported Attributes

| Attribute Name | Tag | DICOM Type | Supported Values |
|--------------------------|-------------|------------|---|
| Patient Module | | | |
| Patient Name | (0010,0010) | 2 | Refer to Addendum B |
| Patient ID | (0010,0020) | 2 | Refer to Addendum B |
| Patient Birth Date | (0010,0030) | 2 | Refer Addendum B |
| Patient Sex | (0010,0040) | 2 | Refer to Addendum B |
| Patient Birth Time | (0010,0032) | 3 | |
| Other Patient IDs | (0010,1000) | 3 | This value will be sent only if it has been received from the DICOM modality work list (MWL). |
| Other Patient Names | (0010,1001) | 3 | This value will be sent only if it has been received from the DICOM modality work list (MWL). |
| Ethnic Group | (0010,2160) | 3 | This value will be sent only if it has been received from the DICOM modality work list (MWL). |
| Patient Comments | (0010,4000) | 3 | Refer to Addendum B |
| Allergies | (0010,2210) | 3 | |
| General Study | | | |
| Study Instance UID | (0020,000D) | 1 | |
| Study Date | (0008,0020) | 2 | Refer to Addendum B |
| Study Time | (0008,0030) | 2 | Refer to Addendum B |
| Referring Physician Name | (0008,0090) | 2 | Refer to Addendum B |
| Study ID | (0020,0010) | 2 | |

| Attribute Name | Tag | DICOM Type | Supported Values |
|--------------------------------------|-------------|------------|-------------------------------------|
| Accession Number | (0008,0050) | 2 | Refer to Addendum B |
| Study Description | (0008,1030) | 3 | Refer to Addendum B |
| Referenced Study Sequence | (0008,1110) | 3 | |
| >Referenced SOP Class UID | (0008,1150) | 1C | |
| >Referenced SOP Instance UID | (0008,1155) | 1C | |
| Procedure Code Sequence | (0008,1032) | 3 | |
| > Code Value | (0008,0100) | 1C | Refer to Addendum B |
| > Coding Scheme Designator | (0008,0102) | 1C | |
| > Code Meaning | (0008,0104) | 1C | |
| Patient Study | | | |
| Admitting Diagnoses Description | (0008,1080) | 3 | |
| Patient's Age | (0010,1010) | 3 | Refer to Addendum B |
| Patient's Size | (0010,1020) | 3 | |
| Patient's Weight | (0010,1030) | 3 | |
| Occupation | (0010,2180) | 3 | |
| Additional Patient's History | (0010,21B0) | 3 | |
| General Series | | | |
| Modality | (0008,0060) | 1 | DX |
| Series Instance UID | (0020,000E) | 1 | |
| Series Number | (0020,0011) | 2 | |
| Laterality | (0020,0060) | 2C | L R |
| Series Date | (0008,0021) | 3 | |
| Series Time | (0008,0031) | 3 | |
| Series Description | (0008,103E) | 3 | Same value as tag (0018,5101) |
| Operator Name | (0008,1070) | 3 | Refer to Addendum B |
| Body Part Examined | (0018,0015) | 3 | Refer to Addendum B |
| Performed Procedure Step Start Date | (0040,0244) | 3 | |
| Performed Procedure Step Start Time | (0040,0245) | 3 | |
| Performed Procedure Step ID | (0040,0253) | 3 | |
| Performed Procedure Step Description | (0040,0254) | 3 | Refer to Addendum B |

| Attribute Name | Tag | DICOM Type | Supported Values |
|--|-------------|------------|---|
| Performed Protocol Code Sequence | (0040,0260) | 3 | |
| >Code Value | (0008,0100) | 1C | |
| >Coding Scheme Designator | (0008,0102) | 1C | |
| >Coding Scheme Version | (0008,0103) | 1C | |
| >Code Meaning | (0008,0104) | 1C | |
| Protocol Name | (0008,1030) | 3 | |
| Request Attributes Sequence | (0040,0275) | 3 | |
| >Requested Procedure Description | (0032,1060) | 3 | Refer to Addendum B |
| >Reason for the Requested Procedure | (0040,1002) | 3 | |
| >Scheduled Procedure Step Description | (0040,0007) | 3 | Refer to Addendum B |
| >Scheduled Protocol Code Sequence | (0040,0008) | 3 | |
| >> Code Value | (0008,0100) | 1C | Refer to Addendum B |
| >> Coding Scheme Designator | (0008,0102) | 1C | |
| >> Coding Scheme Version | (0008,0103) | 1C | |
| >> Code Meaning | (0008,0104) | 1C | Refer to Addendum B |
| >Scheduled Procedure Step ID | (0040,0009) | 1C | |
| >Requested Procedure ID | (0040,1001) | 1C | Refer to Addendum B |
| DX Series | | | |
| Modality | (0008,0060) | 1 | DX |
| Referenced Performed Procedure Step Sequence | (0008,1111) | 1C | |
| >Referenced SOP Class UID | (0008,1150) | 1C | |
| >Referenced SOP Instance UID | (0008,1155) | 1C | |
| Presentation Intent Type | (0008,0068) | 1 | Enumerated Values: FOR PRESENTATION, FOR PROCESSING |
| General Equipment | | | |
| Manufacturer | (0008,0070) | 2 | CARESTREAM |
| Institution Name | (0008,0080) | 3 | For this value to be populated and sent, the <i>DRX-1 System</i> user needs to enter the value on the <i>Delivery Preferences</i> screen. |

| Attribute Name | Tag | DICOM Type | Supported Values |
|-------------------------------|-------------|------------|--|
| Institution Address | (0008,0081) | 3 | For this value to be populated and sent, the <i>DRX-1 System</i> user needs to enter the value on the <i>Delivery Preferences</i> screen. |
| Station Name | (0008,1010) | 3 | |
| Institutional Department Name | (0008,1040) | 3 | Refer to Addendum B |
| Manufacturer Model Name | (0008,1090) | 3 | DRX-1 |
| Device Serial Number | (0018,1000) | 3 | |
| Software Versions | (0018,1020) | 3 | |
| General Image | | | |
| Instance Number | (0020,0013) | 2 | |
| Patient Orientation | (0020,0020) | 2C | |
| Image Type | (0008,0008) | 3 | |
| Content Date | (0008,0023) | 2C | |
| Content Time | (0008,0033) | 2C | |
| Acquisition Number | (0020,0012) | 3 | |
| Acquisition Date | (0008,0022) | 3 | |
| Acquisition Time | (0008,0032) | 3 | |
| Referenced Image Sequence | (0008,1140) | 3 | |
| > Referenced SOP Class UID | (0008,1150) | 1C | Only populated for companion images and will contain Referenced SOP Class UID of the standard image associated with the companion image. |
| > Referenced SOP Instance UID | (0008,1155) | 1C | Only populated for companion images and will contain Referenced SOP Instance UID of standard image associated with the companion image. |
| Derivation Description | (0008,2111) | 3 | |
| Source Image Sequence | (0008,2112) | 3 | Note: This is sent for the FOR_PRESENTATION image, with the UID to the FOR_PROCESSING image, even if the FOR_PROCESSING image was not sent to store destination. |
| >Referenced SOP Class UID | (0008,1150) | 1C | |

| Attribute Name | Tag | DICOM Type | Supported Values |
|------------------------------|-------------|------------|--|
| >Referenced SOP Instance UID | (0008,1155) | 1C | |
| Images In Acquisition | (0020,1002) | 3 | |
| Image Comments | (0020,4000) | 3 | Refer to Addendum B |
| Lossy Image Compression | (0028,2110) | 3 | 00 = No Compression |
| Irradiation Event UID | (0008,3010) | 3 | <p>If the IHE Dose Reporting Option is enabled on the <i>DR System</i>, the value for this field will be sent.</p> <p>This field represents the unique identification of the irradiation event(s) associated with the acquisition of this image. It will be used by receiving systems to determine duplicate events reported in a Dose Report for a particular procedure step/study.</p> |
| Image Pixel | | | |
| Samples per Pixel | (0028,0002) | 1 | 1 |
| Photometric Interpretation | (0028,0004) | 1 | <p>MONOCHROME1 MONOCHROME2</p> <p>(If the image space configured on the destination is set to density, MONOCHROME1 is set. If the image space configured on the destination is p-values or luminance, MONOCHROME2 is set.</p> <p>See section 5.1.3 for more information.</p> |

| Attribute Name | Tag | DICOM Type | Supported Values |
|----------------------------|-------------|------------|---|
| Rows | (0028,0010) | 1 | <p>Max Value for a DRX-1 (GOS) is 3056</p> <p>Max Value for a DRX-1C (CsI) is 3032</p> <p>Max Value for a V4343R is 3024</p> <p>Max Value for a DRX2530C is 2136</p> <p>(if the user crops the image, the supported rows value may be less than max value. Some auto-cropping will take place if Black Surround is enabled and the DR image is going to a store device.)</p> |
| Columns | (0028,0011) | 1 | <p>Max Value for a DRX-1 (GOS) is 2544</p> <p>Max Value for a DRX-1C (CsI) is 2520</p> <p>Max Value for a V4343R is 3024</p> <p>Max Value for a DRX2530C is 1752</p> <p>(if the user crops the image, the supported columns value may be less than max value. Some auto-cropping will take place if Black Surround is enabled and the DR image is going to a store device.)</p> |
| Pixel Aspect Ratio | (0028,0034) | 1C | 1\1 |
| Bits Allocated | (0028,0100) | 1 | 16 |
| Bits Stored | (0028,0101) | 1 | 12 |
| High Bit | (0028,0102) | 1 | 11 |
| Pixel Representation | (0028,0103) | 1 | 0 |
| Smallest Image Pixel Value | (0028,0106) | 1 | 0 |
| Largest Image Pixel Value | (0028,0107) | 1 | 4095 |
| Pixel Data | (7FE0,0010) | 1 | |
| Contrast/Bolus | | | |
| Contrast/Bolus Agent | (0018,0010) | 2 | Refer to Addendum B |
| DX Anatomy Imaged | | | |

| Attribute Name | Tag | DICOM Type | Supported Values |
|-----------------------------------|-------------|------------|--|
| Image Laterality | (0020,0062) | 1 | L R |
| Anatomic Region Sequence | (0008,2218) | 2 | Refer to Context Identifier 4031 in Addendum A for supported SNOMED Code Values |
| >Code Value | (0008,0100) | 1C | |
| >Coding Scheme Designator | (0008,0102) | 1C | |
| >Code Meaning | (0008,0104) | 1C | |
| >Mapping Resource | (0008,0105) | 1C | |
| >Context Group Version | (0008,0106) | 1C | |
| >Context Identifier | (0008,010f) | 3 | |
| DX Image | | | |
| Image Type | (0008,0008) | 1 | |
| Samples per Pixel | (0028,0002) | 1 | 1 |
| Photometric Interpretation | (0028,0004) | 1 | MONOCHROME1 MONOCHROME2 (If the image space configured on the destination is set to density, MONOCHROME1 is set. If the image space configured on the destination is p-values or luminance, MONOCHROME2 is set. See section 5.1.3 for more information. |
| Bits Allocated | (0028,0100) | 1 | 16 |
| Bits Stored | (0028,0101) | 1 | 12 |
| High Bit | (0028,0102) | 1 | 11 |
| Pixel Representation | (0028,0103) | 1 | 0 |
| Pixel Intensity Relationship | (0028,1040) | 1 | LOG |
| Pixel Intensity Relationship Sign | (0028,1041) | 1 | -1 if output is p-values or luminance +1 if output is density |
| Rescale Intercept | (0028,1052) | 1 | 0 |
| Rescale Slope | (0028,1053) | 1 | 1 |
| Rescale Type | (0028,1054) | 1 | US |

| Attribute Name | Tag | DICOM Type | Supported Values |
|--|-------------|------------|---|
| Presentation LUT Shape | (2050,0020) | 1 | If FOR_PRESENTATION image, IDENTITY If FOR_PROCESSING image, INVERSE |
| Lossy Image Compression | (0028,2110) | 1 | 00 = No Compression |
| Patient Orientation | (0020,0020) | 1 | |
| Calibration Image | (0050,0004) | 3 | |
| Burned In Annotation | (0028,0301) | 1 | NO |
| >LUT Descriptor | (0028,3002) | 1C | |
| >LUT Explanation | (0028,3003) | 3 | |
| >LUT Data | (0028,3006) | 1C | |
| Window Center | (0028,1050) | 1C | |
| Window Width | (0028,1051) | 1C | |
| Window Center & Width Explanation | (0028,1055) | 3 | |
| DX Detector | | | |
| Detector Type | (0018,7004) | 2 | DIRECT |
| Detector Configuration | (0018,7005) | 3 | AREA |
| Detector Description | (0018,7006) | 3 | |
| Detector Mode | (0018,7008) | 3 | |
| Detector ID | (0018,700A) | 3 | |
| Date of Last Detector Calibration | (0018,700C) | 3 | |
| Time of Last Detector Calibration | (0018,700E) | 3 | |
| Exposures on Detector Since Last Calibration | (0018,7010) | 3 | |
| Detector Binning | (0018,701A) | 3 | 1\1 |
| Detector Manufacturer Name | (0018,702A) | 3 | CARESTREAM VARIAN |

| Attribute Name | Tag | DICOM Type | Supported Values |
|------------------------------------|-------------|------------|---|
| Detector Manufacturer's Model Name | (0018,702B) | 3 | If (0018,702A) is CARESTREAM: DRX-1 if the scintillator is GOS DRX-1C if the scintillator is CsI DRX2530C if detector is 25x30C If (0018,702A) is VARIAN: PAXSCAN4343R |
| Detector Temperature | (0018,7001) | 3 | |
| Field of View Shape | (0018,1147) | 3 | RECTANGLE |
| Field of View Dimension(s) | (0018,1149) | 3 | |
| Sensitivity | (0018,6000) | 3 | |
| Detector Active Time | (0018,7014) | 3 | |
| Imager Pixel Spacing | (0018,1164) | 1 | "0.139\0.139" |
| Detector Element Physical Size | (0018,7020) | 3 | |
| Detector Element Spacing | (0018,7022) | 3 | |
| X-Ray Collimator | | | |
| Collimator Shape | (0018,1700) | 1 | RECTANGULAR |
| ColilmatorLeftVerticalEdge | (0018,1720) | 1C | |
| ColilmatorRightVerticalEdge | (0018,1704) | 1C | |
| ColilmatorUpperHorizontalEdge | (0018,1706) | 1C | |
| ColilmatorLowerHorizontalEdge | (0018,1780) | 1C | |
| DX Positioning | | | |
| View Position | (0018,5101) | 3 | |
| View Code Sequence | (0054,0220) | 3 | Refer to Context Identifier 4010 in Addendum A for supported SNOMED Code Values |
| >Code Value | (0008,0100) | 1C | |
| >Coding Scheme Designator | (0008,0102) | 1C | |
| >Coding Scheme Version | (0008,0103) | 1C | |
| >Code Meaning | (0008,0104) | 1C | |
| >Mapping Resource | (0008,0105) | 1C | |
| >Context Group Version | (0008,0106) | 1C | |

| Attribute Name | Tag | DICOM Type | Supported Values |
|---|-------------|------------|---|
| >Context Identifier | (0008,010f) | 3 | |
| >View Modifier Code Sequence | (0054,0222) | 2 | Refer to Context Identifier 4010 in Addendum A for supported SNOMED Code Values |
| >>Code Value | (0008,0100) | 1C | |
| >>Coding Scheme Designator | (0008,0102) | 1C | |
| >>Code Meaning | (0008,0104) | 1C | |
| >>Mapping Resource | (0008,0105) | 1C | |
| >>Context Group Version | (0008,0106) | 1C | |
| >>Context Identifier | (0008,010f) | 3 | |
| Patient Orientation Code Sequence | (0054,0410) | 3 | Refer to Context Identifier 19 in Addendum A for supported SNOMED Code Values |
| >Code Value | (0008,0100) | 1C | |
| >Coding Scheme Designator | (0008,0102) | 1C | |
| >Code Meaning | (0008,0104) | 1C | |
| >Mapping Resource | (0008,0105) | 1C | |
| >Context Group Version | (0008,0106) | 1C | |
| >Context Identifier | (0008,010f) | 3 | |
| >Patient Orientation Modifier Code Sequence | (0054,0412) | 2 | Refer to Context Identifier 20 in Addendum A for supported SNOMED Code Values |
| >>Code Value | (0008,0100) | 1C | |
| >>Coding Scheme Designator | (0008,0102) | 1C | |
| >>Code Meaning | (0008,0104) | 1C | |
| >>Mapping Resource | (0008,0105) | 1C | |
| >>Context Group Version | (0008,0106) | 1C | |
| >>Context Identifier | (0008,010f) | 3 | |
| Positioner Type | (0018,1508) | 2 | |
| Positioner Primary Angle | (0018,1510) | 3 | DRX-Revolution only: Accuracy of $\pm X$ degrees |
| Positioner Secondary Angle | (0018,1511) | 3 | DRX-Revolution only: Accuracy of $\pm X$ degrees |
| Detector Primary Angle | (0018,1530) | 3 | DRX-Revolution only: Accuracy of $\pm X$ degrees |
| Detector Secondary Angle | (0018,1531) | 3 | DRX-Revolution only: Accuracy of $\pm X$ degrees |

| Attribute Name | Tag | DICOM Type | Supported Values |
|---|-------------|------------|---|
| Column Angulation | (0018,1450) | 3 | DRX-Revolution only: Accuracy of ±X degrees |
| Table Angle | (0018,1138) | 3 | DRX-Revolution only: Accuracy of ±X degrees |
| Table Type | (0018,113A) | 3 | DRX-Revolution only: TILTING |
| X-Ray Acquisition Dose | | | |
| KVP | (0018,0060) | 3 | <i>(DRX-Ascend and DRX-Revolution – This value is automatically populated.)</i> |
| X-Ray Tube Current | (0018,1151) | 3 | <i>(DRX-Ascend and DRX-Revolution – This value is automatically populated.)</i> |
| Exposure Time | (0018,1150) | 3 | <i>(DRX-Ascend and DRX-Revolution – This value is automatically populated.)</i> |
| Exposure | (0018,1152) | 3 | <i>(DRX-Ascend and DRX-Revolution – This value is automatically populated.)</i> |
| Exposure in µAs | (0018,1153) | 3 | <i>(DRX-Ascend and DRX-Revolution – This value is automatically populated.)</i> |
| Distance Source to Detector | (0018,1110) | 3 | |
| Distance Source to Patient | (0018,1111) | 3 | If LLI Feature is enabled Refer to Addendum <u>B</u> |
| Image and Fluoroscopy Area Dose Product | (0018,115E) | 3 | <i>(DRX-Ascend and DRX-Revolution – This value is automatically populated.)</i> |
| Relative X-Ray Exposure | (0018,1405) | 3 | |
| Exposure Index | (0018,1411) | 3 | Defined in IEC 62494-1 |
| Target Exposure Index | (0018,1412) | 3 | Defined in IEC 62494-1 |
| Deviation Index | (0018,1413) | 3 | Defined in IEC 62494-1 |
| Entrance Dose | (0040,0302) | 3 | This value will be calculated if Image Area Dose is available, otherwise a value of zero will be sent. It will be measured at reference point “In Detector Plane” when Distance Source to Detector and Distance Source to Patient are NOT available. Refer to Addendum <u>B</u> |

| Attribute Name | Tag | DICOM Type | Supported Values |
|-----------------------------|-------------|------------|---|
| Entrance Dose in mGy | (0040,8302) | 3 | This value will be calculated if Image Area Dose is available, otherwise value will be zero. It will be measured at reference point "In Detector Plane" when Distance Source to Detector and Distance Source to Patient are NOT available. Refer to Addendum <u>B</u> |
| Exposed Area | (0040,0303) | 3 | |
| Distance Source to Entrance | (0040,0306) | 3 | |
| Anode Target Material | (0018,1191) | 3 | DRX-Revolution only: "TUNGSTEN" |
| Filter Material | (0018,7050) | 3 | DRX-Revolution only: "ALUMINUM", or "ALUMINUM+COPPER" |
| Filter Thickness Minimum | (0018,7052) | 3 | DRX-Revolution only: "0.94", "0.94/0.098", or "0.94/0.198" |
| Filter Thickness Maximum | (0018,7054) | 3 | DRX-Revolution only: "1.06", "1.06/0.102", or "1.06/0.202" |
| Rectification Type | (0018,1156) | 3 | DRX-Revolution only: "CONST POTENTIAL" |
| Exposure Index Macro | | | |
| Exposure Index | (0018,1411) | 3 | |
| Target Exposure Index | (0018,1412) | 3 | |
| Deviation Index | (0018,1413) | 3 | |
| X-Ray Filtration | | | |
| Filter Type | (0018,1160) | 3 | DRX-Revolution only: "NONE", "WEDGE", or "MULTIPLE" |
| Filter Material | (0018,7050) | 3 | DRX-Revolution only: "ALUMINUM", or "ALUMINUM+COPPER" |
| Filter Thickness Minimum | (0018,7052) | 3 | DRX-Revolution only: "0.94", "0.94/0.098", or "0.94/0.198" |
| Filter Thickness Maximum | (0018,7054) | 3 | DRX-Revolution only: "1.06", "1.06/0.102", or "1.06/0.202" |

| Attribute Name | Tag | DICOM Type | Supported Values |
|-------------------------|-------------|------------|--|
| X-Ray Grid | | | |
| Grid | (0018,1166) | 3 | DRX-Revolution Tube and Grid Alignment only: “FIXED”, or “NONE” Values below only apply when using Carestream Grid |
| Grid Absorbing Material | (0018,7040) | 3 | DRX-Revolution Tube and Grid Alignment only: “LEAD” |
| Grid Spacing Material | (0018,7041) | 3 | DRX-Revolution Tube and Grid Alignment only: “ALUMINUM” |
| Grid Thickness | (0018,7042) | 3 | DRX-Revolution Tube and Grid Alignment only: “1.20” |
| Grid Pitch | (0018,7044) | 3 | DRX-Revolution Tube and Grid Alignment only: “800” |
| Grid Aspect Ratio | (0018,7046) | 3 | DRX-Revolution Tube and Grid Alignment only: “6\1” |
| Grid Period | (0018,7048) | 3 | |
| Grid Focal Distance | (0018,704C) | 3 | DRX-Revolution Tube and Grid Alignment only: “1295” |
| Overlay Plane | | | |
| | | | Only sent if measurement tools are added to the image and the image is sent to an SCP configured as supports overlays in the DRX-1 System configuration. |
| Overlay Rows | (6000,0010) | 1 | |
| Overlay Columns | (6000,0011) | 1 | |
| Overlay Type | (6000,0040) | 1 | G = GRAPHICS |
| Overlay Origin | (6000,0050) | 1 | 1/1 |
| Overlay Bits Allocated | (6000,0100) | 1 | 1 |
| Overlay Bit Position | (6000,0102) | 1 | 1 |
| Overlay Data | (6000,3000) | 1 | |
| VOI LUT | | | |
| VOI LUT Sequence | (0028,3010) | 3 | |
| >LUT Descriptor | (0028,3002) | 1C | |
| >LUT Explanation | (0028,3003) | 1C | |
| >LUT Data | (0028,3006) | 1C | |

| Attribute Name | Tag | DICOM Type | Supported Values |
|------------------------------|-------------|------------|------------------|
| Window Center | (0028,1050) | 1C | 2048 |
| Window Width | (0028,1051) | 1C | 4096 |
| Acquisition Context | | | |
| Acquisition Context Sequence | (0040,0555) | 2 | Empty Sequence |
| SOP Common | | | |
| SOP Class UID | (0008,0016) | 1 | |
| SOP Instance UID | (0008,0018) | 1 | |
| Specific Character Set | (0008,0005) | 1C | |

3.5.2 Computed Radiography Image Storage

The DRX-1 System provides standard conformance to the Computed Radiography Image Storage SOP Class as an SCU.

Table 3.13 Computed Radiography Image SOP Class

| SOP Class | SOP Class UID |
|------------------------------------|---------------------------|
| Computed Radiography Image Storage | 1.2.840.10008.5.1.4.1.1.1 |

Table 3.14 Computed Radiography Image SOP Class – Supported Attributes

| Attribute Name | Tag | DICOM Type | Supported Values |
|-----------------------|-------------|------------|---|
| Patient Module | | | |
| Patient Name | (0010,0010) | 2 | Refer to Addendum B |
| Patient ID | (0010,0020) | 2 | Refer to Addendum B |
| Patient Birth Date | (0010,0030) | 2 | Refer to Addendum B |
| Patient Sex | (0010,0040) | 2 | Refer to Addendum B |
| Patient Birth Time | (0010,0032) | 3 | |
| Other Patient IDs | (0010,1000) | 3 | This value will be sent only if it has been received from the DICOM modality work list (MWL). |
| Other Patient Names | (0010,1001) | 3 | This value will be sent only if it has been received from the DICOM modality work list (MWL). |
| Ethnic Group | (0010,2160) | 3 | This value will be sent only if it has been received from the DICOM modality work list (MWL). |
| Patient Comments | (0010,4000) | 3 | Refer to Addendum B |

| Attribute Name | Tag | DICOM Type | Supported Values |
|---------------------------------|-------------|------------|-------------------------------------|
| Allergies | (0010,2210) | 3 | |
| General Study | | | |
| Study Instance UID | (0020,000D) | 1 | |
| Study Date | (0008,0020) | 2 | Refer to Addendum B |
| Study Time | (0008,0030) | 2 | Refer to Addendum B |
| Referring Physician Name | (0008,0090) | 2 | Refer to Addendum B |
| Study ID | (0020,0010) | 2 | |
| Accession Number | (0008,0050) | 2 | Refer to Addendum B |
| Study Description | (0008,1030) | 3 | Refer to Addendum B |
| Referenced Study Sequence | (0008,1110) | 3 | |
| >Referenced SOP Class UID | (0008,1150) | 1C | |
| >Referenced SOP Instance UID | (0008,1155) | 1C | |
| Procedure Code Sequence | (0008,1032) | 3 | |
| > Code Value | (0008,0100) | 1C | Refer to Addendum B |
| > Coding Scheme Designator | (0008,0102) | 1C | |
| > Coding Scheme Version | (0008,0103) | 1C | |
| > Code Meaning | (0008,0104) | 1C | |
| Patient Study | | | |
| Admitting Diagnoses Description | (0008,1080) | 3 | |
| Patient's Age | (0010,1010) | 3 | Refer to Addendum B |
| Patient's Size | (0010,1020) | 3 | |
| Patient's Weight | (0010,1030) | 3 | |
| Occupation | (0010,2180) | 3 | |
| Additional Patient's History | (0010,21B0) | 3 | |
| General Series | | | |
| Modality | (0008,0060) | 1 | CR |
| Series Instance UID | (0020,000E) | 1 | |
| Series Number | (0020,0011) | 2 | |
| Laterality | (0020,0060) | 2C | L R |
| Series Date | (0008,0021) | 3 | |
| Protocol Name | (0008,1030) | 3 | |
| Series Time | (0008,0031) | 3 | |

| Attribute Name | Tag | DICOM Type | Supported Values |
|---------------------------------------|-------------|------------|-------------------------------------|
| Operator Name | (0008,1070) | 3 | Refer to Addendum B |
| Performed Procedure Step Start Date | (0040,0244) | 3 | |
| Performed Procedure Step Start Time | (0040,0245) | 3 | |
| Performed Procedure Step ID | (0040,0253) | 3 | |
| Performed Procedure Step Description | (0040,0254) | 3 | Refer to Addendum B |
| Performed Protocol Code Sequence | (0040,0260) | 3 | |
| >Code Value | (0008,0100) | 1C | |
| >Coding Scheme Designator | (0008,0102) | 1C | |
| >Coding Scheme Version | (0008,0103) | 1C | |
| >Code Meaning | (0008,0104) | 1C | |
| Request Attributes Sequence | (0040,0275) | 3 | |
| >Requested Procedure Description | (0032,1060) | 3 | Refer to Addendum B |
| >Reason for the Requested Procedure | (0040,1002) | 3 | |
| >Scheduled Procedure Step Description | (0040,0007) | 3 | Refer to Addendum B |
| >Scheduled Protocol Code Sequence | (0040,0008) | 3 | |
| >> Code Value | (0008,0100) | 1C | Refer to Addendum B |
| >> Coding Scheme Designator | (0008,0102) | 1C | |
| >> Coding Scheme Version | (0008,0103) | 1C | |
| >> Code Meaning | (0008,0104) | 1C | Refer to Addendum B |
| >Scheduled Procedure Step ID | (0040,0009) | 1C | |
| >Requested Procedure ID | (0040,1001) | 1C | Refer to Addendum B |
| CR Series | | | |
| Body Part Examined | (0018,0015) | 2 | |
| View Position | (0018,5101) | 2 | |
| General Equipment | | | |
| Manufacturer | (0008,0070) | 2 | CARESTREAM |

| Attribute Name | Tag | DICOM Type | Supported Values |
|-------------------------------|-------------|------------|---|
| Institution Name | (0008,0080) | 3 | For this value to be populated and sent, the <i>DRX-1 System</i> user needs to enter the value on the <i>Delivery Preferences</i> screen. |
| Institution Address | (0008,0081) | 3 | For this value to be populated and sent, the <i>DRX-1 System</i> user needs to enter the value on the <i>Delivery Preferences</i> screen. |
| Station Name | (0008,1010) | 3 | |
| Institutional Department Name | (0008,1040) | 3 | Refer to Addendum B |
| Manufacturer Model Name | (0008,1090) | 3 | DRX-1 |
| Device Serial Number | (0018,1000) | 3 | |
| Software Versions | (0018,1020) | 3 | |
| General Image | | | |
| Instance Number | (0020,0013) | 2 | |
| Patient Orientation | (0020,0020) | 2C | |
| Image Type | (0008,0008) | 3 | |
| Content Date | (0008,0023) | 2C | |
| Content Time | (0008,0033) | 2C | |
| Acquisition Number | (0020,0012) | 3 | |
| Acquisition Date | (0008,0022) | 3 | |
| Acquisition Time | (0008,0032) | 3 | |
| Referenced Image Sequence | (0008,1140) | 3 | |
| > Referenced SOP Class UID | (0008,1150) | 1C | Only populated for companion images and will contain Referenced SOP Class UID of the standard image associated with the companion image. |
| > Referenced SOP Instance UID | (0008,1155) | 1C | Only populated for companion images and will contain Referenced SOP Instance UID of standard image associated with the companion image. |
| Derivation Description | (0008,2111) | 3 | |
| Images In Acquisition | (0020,1002) | 3 | |
| Image Comments | (0020,4000) | 3 | Refer to Addendum B |

| Attribute Name | Tag | DICOM Type | Supported Values |
|----------------------------|-------------|------------|--|
| Lossy Image Compression | (0028,2110) | 3 | 00 = No Compression |
| Irradiation Event UID | (0008,3010) | 3 | <p>If the IHE Dose Reporting Option is enabled on the <i>DR System</i>, the value for this field will be sent.</p> <p>This field represents the unique identification of the irradiation event(s) associated with the acquisition of this image. It will be used by receiving systems to determine duplicate events reported in a Dose Report for a particular procedure step/study.</p> |
| Image Plane | | | |
| Pixel Spacing | (0028,0030) | 3 | "0.139\0.139" |
| Image Pixel | | | |
| Samples per Pixel | (0028,0002) | 1 | 1 |
| Photometric Interpretation | (0028,0004) | 1 | <p>MONOCHROME1 MONOCHROME2</p> <p>(If the image space configured on the destination is set to density, MONOCHROME1 is set. If the image space configured on the destination is p-values or luminance, MONOCHROME2 is set.</p> <p>See section 5.1.3 for more information.</p> |
| Planar Configuration | (0028,0006) | 1C | |

| Attribute Name | Tag | DICOM Type | Supported Values |
|-----------------------------|-------------|------------|---|
| Rows | (0028,0010) | 1 | <p>Max Value for a DRX-1 (GOS) is 3056</p> <p>Max Value for a DRX-1C (Csl) is 3032</p> <p>Max Value for a V4343R is 3024</p> <p>Max Value for a DRX2530C is 2136</p> <p>(if the user crops the image, the supported rows value may be less than max value. Some auto-cropping will take place if Black Surround is enabled and the DR image is going to a store device.)</p> |
| Columns | (0028,0011) | 1 | <p>Max Value for a DRX-1 (GOS) is 2544</p> <p>Max Value for a DRX-1C (Csl) is 2520</p> <p>Max Value for a V4343R is 3024</p> <p>Max Value for a DRX2530C is 1752</p> <p>(if the user crops the image, the supported columns value may be less than max value. Some auto-cropping will take place if Black Surround is enabled and the DR image is going to a store device.)</p> |
| Pixel Aspect Ratio | (0028,0034) | 1C | |
| Bits Allocated | (0028,0100) | 1 | 16 |
| Bits Stored | (0028,0101) | 1 | 12 |
| High Bit | (0028,0102) | 1 | 11 |
| Pixel Representation | (0028,0103) | 1 | 0 |
| Smallest Image Pixel Value | (0028,0106) | 1 | 0 |
| Largest Image Pixel Value | (0028,0107) | 1 | 4095 |
| Pixel Data | (7FE0,0010) | 1 | |
| CR Image | | | |
| KVP | (0018,0060) | 3 | <i>(DRX-Ascend and DRX-Revolution – This value is automatically populated.)</i> |
| Plate ID | (0018,1004) | 3 | |
| Distance Source to Detector | (0018,1110) | 3 | Refer to Addendum <u>B</u> |

| Attribute Name | Tag | DICOM Type | Supported Values |
|----------------------------|-------------|------------|--|
| Distance Source to Patient | (0018,1111) | 3 | If LLI Feature is enabled Refer to Addendum B |
| Exposure | (0018,1152) | 3 | <i>(DRX-Ascend and DRX-Revolution</i> – This value is automatically populated.) |
| Exposure in μ As | (0018,1153) | 3 | <i>(DRX-Ascend and DRX-Revolution</i> – This value is automatically populated.) |
| Imager Pixel Spacing | (0018,1164) | 3 | “0.139\0.139” |
| Relative X-Ray Exposure | (0018,1405) | 3 | 0 to 4095 |
| Exposure Index | (0018,1411) | 3 | |
| Target Exposure Index | (0018,1412) | 3 | |
| Deviation Index | (0018,1413) | 3 | |
| Sensitivity | (0018,6000) | 3 | |
| Contrast/Bolus | | | |
| Contrast/Bolus Agent | (0018,0010) | 2 | Refer to Addendum B |
| Overlay Plane | | | |
| | | | Only sent if measurement tools are added to the image and the image is sent to an SCP configured as supports overlays in the DRX-1 System configuration. |
| Overlay Rows | (6000,0010) | 1 | |
| Overlay Columns | (6000,0011) | 1 | |
| Overlay Type | (6000,0040) | 1 | G = GRAPHICS |
| Overlay Origin | (6000,0050) | 1 | 1/1 |
| Overlay Bits Allocated | (6000,0100) | 1 | 1 |
| Overlay Bit Position | (6000,0102) | 1 | 1 |
| Overlay Data | (6000,3000) | 1 | |
| VOI LUT | | | |
| VOI LUT Sequence | (0028,3010) | 3 | |
| >LUT Descriptor | (0028,3002) | 1C | |
| >LUT Explanation | (0028,3003) | 1C | |
| >LUT Data | (0028,3006) | 1C | |
| Window Center | (0028,1050) | 1C | 2048 |
| Window Width | (0028,1051) | 1C | 4096 |
| SOP Common | | | |
| SOP Class UID | (0008,0016) | 1 | |

| Attribute Name | Tag | DICOM Type | Supported Values |
|------------------------|-------------|------------|------------------|
| SOP Instance UID | (0008,0018) | 1 | |
| Specific Character Set | (0008,0005) | 1C | |

3.5.3 Grayscale Softcopy Presentation State IOD

The *DRX-1 System* provides standard conformance to the Grayscale Softcopy Presentation State Storage SOP Class as an SCU.

Table 3.15 Grayscale Softcopy Presentation State SOP Class

| SOP Class | SOP Class UID |
|---|------------------------------|
| Grayscale Softcopy Presentation State Storage | 1.2.840.10008.5.1.4.1.1.11.1 |

Table 3.16 Grayscale Softcopy Presentation State SOP Class Attributes

| Attribute Name | Tag | DICOM Type | Supported Values |
|--------------------------|-------------|------------|---|
| Patient Module | | | |
| Patient Name | (0010,0010) | 2 | Refer to Addendum B |
| Patient ID | (0010,0020) | 2 | Refer to Addendum B |
| Patient Birth Date | (0010,0030) | 2 | Refer to Addendum B |
| Patient Sex | (0010,0040) | 2 | Refer to Addendum B |
| Patient Birth Time | (0010,0032) | 3 | |
| Other Patient IDs | (0010,1000) | 3 | This value will be sent only if it has been received from the DICOM modality work list (MWL). |
| Other Patient Names | (0010,1001) | 3 | This value will be sent only if it has been received from the DICOM modality work list (MWL). |
| Ethnic Group | (0010,2160) | 3 | This value will be sent only if it has been received from the DICOM modality work list (MWL). |
| Patient Comments | (0010,4000) | 3 | Refer to Addendum B |
| Allergies | (0010,2210) | 3 | |
| General Study | | | |
| Study Instance UID | (0020,000D) | 1 | |
| Study Date | (0008,0020) | 2 | Refer to Addendum B |
| Study Time | (0008,0030) | 2 | Refer to Addendum B |
| Referring Physician Name | (0008,0090) | 2 | Refer to Addendum B |

| Attribute Name | Tag | DICOM Type | Supported Values |
|-------------------------------------|-------------|------------|---|
| Study ID | (0020,0010) | 2 | |
| Accession Number | (0008,0050) | 2 | Refer to Addendum B |
| Study Description | (0008,1030) | 3 | Refer to Addendum B |
| Referenced Study Sequence | (0008,1110) | 3 | |
| >Referenced SOP Class UID | (0008,1150) | 1C | |
| >Referenced SOP Instance UID | (0008,1155) | 1C | |
| Procedure Code Sequence | (0008,1032) | 3 | Refer to Addendum B |
| > Code Value | (0008,0100) | 1C | |
| > Coding Scheme Designator | (0008,0102) | 1C | |
| > Coding Scheme Version | (0008,0103) | 1C | |
| > Code Meaning | (0008,0104) | 1C | |
| Patient Study | | | |
| Admitting Diagnoses Description | (0008,1080) | 3 | |
| Patient's Age | (0010,1010) | 3 | Refer to Addendum B |
| Patient's Size | (0010,1020) | 3 | |
| Patient's Weight | (0010,1030) | 3 | |
| Occupation | (0010,2180) | 3 | |
| Additional Patient's History | (0010,21B0) | 3 | |
| General Series | | | |
| Modality | (0008,0060) | 1 | PR |
| Series Instance UID | (0020,000E) | 1 | |
| Series Number | (0020,0011) | 2 | |
| Laterality | (0020,0060) | 2C | L R Refer to Addendum B |
| Series Date | (0008,0021) | 3 | |
| Protocol Name | (0008,1030) | 3 | |
| Series Time | (0008,0031) | 3 | |
| Operator Name | (0008,1070) | 3 | Refer to Addendum B |
| Performed Procedure Step Start Date | (0040,0244) | 3 | Refer to Addendum B |
| Performed Procedure Step Start Time | (0040,0245) | 3 | Refer to Addendum B |

| Attribute Name | Tag | DICOM Type | Supported Values |
|---------------------------------------|-------------|------------|---|
| Performed Procedure Step ID | (0040,0253) | 3 | |
| Performed Procedure Step Description | (0040,0254) | 3 | Refer to Addendum B |
| Request Attributes Sequence | (0040,0275) | 3 | |
| >Requested Procedure Description | (0032,1060) | 3 | |
| >Reason for the Requested Procedure | (0040,1002) | 3 | |
| >Scheduled Procedure Step Description | (0040,0007) | 3 | |
| >Scheduled Protocol Code Sequence | (0040,0008) | 3 | |
| >> Code Value | (0008,0100) | 1C | |
| >> Coding Scheme Designator | (0008,0102) | 1C | |
| >> Coding Scheme Version | (0008,0103) | 1C | |
| >> Code Meaning | (0008,0104) | 1C | |
| >Scheduled Procedure Step ID | (0040,0009) | 1C | |
| >Requested Procedure ID | (0040,1001) | 1C | Refer to Addendum B |
| Presentation Series | | | |
| Modality | (0008,0060) | 1 | |
| View Position | (0018,5101) | 2 | |
| General Equipment | | | |
| Manufacturer | (0008,0070) | 2 | CARESTREAM |
| Institution Name | (0008,0080) | 3 | For this value to be populated and sent, the <i>DRX-1 System</i> user needs to enter the value on the <i>Delivery Preferences</i> screen. |
| Institution Address | (0008,0081) | 3 | For this value to be populated and sent, the <i>DRX-1 System</i> user needs to enter the value on the <i>Delivery Preferences</i> screen. |
| Station Name | (0008,1010) | 3 | |
| Institutional Department Name | (0008,1040) | 3 | Refer to Addendum B |
| Manufacturer Model Name | (0008,1090) | 3 | DRX-1 |
| Device Serial Number | (0018,1000) | 3 | |

| Attribute Name | Tag | DICOM Type | Supported Values |
|-----------------------------------|-------------|------------|------------------|
| Software Versions | (0018,1020) | 3 | |
| Presentation State | | | |
| Instance Number | (0020,0013) | 1 | |
| Content Label | (0070,0080) | 1 | |
| Content Description | (0070,0081) | 2 | |
| Presentation Creation Date | (0070,0082) | 1 | |
| Presentation Creation Time | (0070,0083) | 1 | |
| Content Creator's Name | (0070,0084) | 2 | |
| Reference Series Sequence | (0008,1115) | 1 | |
| > Series Instance UID | (0020,000E) | 1 | |
| > Referenced Image Sequence | (0008,1140) | 1 | |
| >> Referenced SOP Class UID | (0008,1150) | 1 | |
| >> Referenced SOP Instance UID | (0008,1155) | 1 | |
| >> Referenced Frame Number | (0008,1160) | 1 | |
| Shutter Presentation Value | (0018,1622) | 1C | |
| Display Shutter | | | |
| Shutter Shape | (0018,1600) | 1 | POLYGONAL |
| Vertices of the Polygonal Shutter | (0018,1620) | 1C | |
| Shutter Presentation Value | (0018,1622) | 3 | |
| Overlay Plane | | | |
| Overlay Rows | (60xx,0010) | 1 | |
| Overlay Columns | (60xx,0011) | 1 | |
| Overlay Type | (60xx,0040) | 1 | |
| Overlay Origin | (60xx,0050) | 1 | |
| Overlay Bits Allocated | (60xx,0040) | 1 | |
| Overlay Bit Position | (60xx,0102) | 1 | |
| Overlay Data | (60xx,3000) | 1C | |
| Displayed Area | | | |
| Displayed Area Selection Sequence | (0070,005A) | 1 | |
| > Referenced Image Sequence | (0008,1140) | 1C | |

| Attribute Name | Tag | DICOM Type | Supported Values |
|---------------------------------------|-------------|------------|------------------------|
| >> Referenced SOP Class UID | (0008,1150) | 1C | |
| >> Referenced SOP Instance UID | (0008,1155) | 1C | |
| >> Referenced Frame Number | (0008,1160) | 1C | |
| > Displayed Area Top Left Hand Corner | (0070,0052) | 1 | 1\1 |
| > Displayed Area Bottom Hand Corner | (0070,0053) | 1 | |
| > Presentation Size Mode | (0070,0100) | 1 | |
| > Presentation Pixel Spacing | (0070,0101) | 1C | |
| > Presentation Pixel Aspect Ratio | (0070,0102) | 1C | |
| Spatial Transformation | | | |
| Image Rotation | (0070,0042) | 1 | Always 0 (no rotation) |
| Image Horizontal Flip | (0070,0041) | 1 | Always N (no flip) |
| Softcopy VOI LUT | | | |
| Softcopy VOI LUT Sequence | (0028,3110) | 1 | |
| > Referenced Image Sequence | (0008,1140) | 1C | |
| >> Referenced SOP Class UID | (0008,1150) | 1C | |
| >> Referenced SOP Instance UID | (0008,1155) | 1C | |
| >> Referenced Frame Number | (0008,1160) | 1C | |
| > VOI LUT Sequence | (0028,3010) | 1C | |
| >> LUT Descriptor | (0028,3002) | 1C | |
| >> LUT Explanation | (0028,3003) | 3 | |
| >> LUT Data | (0028,3006) | 1C | |
| > Window Center | (0028,1050) | 1C | |
| > Window Width | (0028,1051) | 1C | |
| Softcopy Presentation LUT | | | |
| Presentation LUT Sequence | (2050,0010) | 1C | |
| Presentation LUT Shape | (2050,0020) | 1C | |

| Attribute Name | Tag | DICOM Type | Supported Values |
|------------------------|-------------|------------|------------------|
| SOP Common | | | |
| SOP Class UID | (0008,0016) | 1 | |
| SOP Instance UID | (0008,0018) | 1 | |
| Specific Character Set | (0008,0005) | 1C | |

3.5.4 X-Ray Radiation Dose SR

The *DRX-1 System* provides standard conformance to the X-Ray Radiation Dose SR SOP Class as an SCU.

Table 3.17 X-Ray Radiation Dose SR SOP Class

| SOP Class | SOP Class UID |
|-------------------------|-------------------------------|
| X-Ray Radiation Dose SR | 1.2.840.10008.5.1.4.1.1.88.67 |

Table 3.18 X-Ray Radiation Dose SR SOP Class – Supported Attributes

| Attribute Name | Tag | DICOM Type | Supported Values |
|-----------------------|-------------|------------|---|
| Patient Module | | | |
| Patient Name | (0010,0010) | 2 | Refer to Addendum B |
| Patient ID | (0010,0020) | 2 | Refer to Addendum B |
| Patient Birth Date | (0010,0030) | 2 | Refer Addendum B |
| Patient Sex | (0010,0040) | 2 | Refer to Addendum B |
| Patient Birth Time | (0010,0032) | 3 | |
| Other Patient IDs | (0010,1000) | 3 | This value will be sent only if it has been received from the DICOM modality work list (MWL). |
| Other Patient Names | (0010,1001) | 3 | This value will be sent only if it has been received from the DICOM modality work list (MWL). |
| Ethnic Group | (0010,2160) | 3 | This value will be sent only if it has been received from the DICOM modality work list (MWL). |
| Patient Comments | (0010,4000) | 3 | Refer to Addendum B |
| Allergies | (0010,2210) | 3 | |
| General Study | | | |
| Study Instance UID | (0020,000D) | 1 | |

| Attribute Name | Tag | DICOM Type | Supported Values |
|--|-------------|------------|--|
| Study Date | (0008,0020) | 2 | Refer to Addendum B |
| Study Time | (0008,0030) | 2 | Refer to Addendum B |
| Referring Physician Name | (0008,0090) | 2 | Refer to Addendum B |
| Study ID | (0020,0010) | 2 | |
| Accession Number | (0008,0050) | 2 | Refer to Addendum B |
| Study Description | (0008,1030) | 3 | Refer to Addendum B |
| Referenced Study Sequence | (0008,1110) | 3 | |
| >Referenced SOP Class UID | (0008,1150) | 1C | |
| >Referenced SOP Instance UID | (0008,1155) | 1C | |
| Procedure Code Sequence | (0008,1032) | 3 | |
| > Code Value | (0008,0100) | 1C | Refer to Addendum B |
| > Coding Scheme Designator | (0008,0102) | 1C | |
| > Code Meaning | (0008,0104) | 1C | |
| Patient Study | | | |
| Admitting Diagnoses Description | (0008,1080) | 3 | |
| Patient's Age | (0010,1010) | 3 | Refer to Addendum B |
| Patient's Size | (0010,1020) | 3 | |
| Patient's Weight | (0010,1030) | 3 | |
| Occupation | (0010,2180) | 3 | |
| Additional Patient's History | (0010,21B0) | 3 | |
| SR Document Series | | | |
| Modality | (0008,0060) | 1 | SR |
| Series Instance UID | (0020,000E) | 1 | |
| Series Number | (0020,0011) | 2 | 1 |
| Series Date | (0008,0021) | 3 | Populated with current date of creation. The date the procedure step/study was ended. |
| Series Time | (0008,0031) | 3 | Populated with current time of creation. The time the procedure step/study was ended. |
| Series Description | (0008,103E) | 3 | Radiation Dose Information This will be translated. |
| Referenced Performed Procedure Step Sequence | (0008,1111) | 2 | |

| Attribute Name | Tag | DICOM Type | Supported Values |
|-------------------------------|-------------|------------|---|
| >Referenced SOP Class UID | (0008,1150) | 1C | 1.2.840.10008.3.1.2.3.3 |
| >Referenced SOP Instance UID | (0008,1155) | 1C | |
| General Equipment | | | |
| Manufacturer | (0008,0070) | 2 | CARESTREAM |
| Institution Name | (0008,0080) | 3 | For this value to be populated and sent, the <i>DRX-1 System</i> user needs to enter the value on the <i>Delivery Preferences</i> screen. |
| Institution Address | (0008,0081) | 3 | For this value to be populated and sent, the <i>DRX-1 System</i> user needs to enter the value on the <i>Delivery Preferences</i> screen. |
| Station Name | (0008,1010) | 3 | |
| Institutional Department Name | (0008,1040) | 3 | Refer to Addendum B |
| Manufacturer Model Name | (0008,1090) | 3 | DRX-1 |
| Device Serial Number | (0018,1000) | 3 | |
| Software Versions | (0018,1020) | 3 | |
| Gantry ID | (0018,1008) | 3 | |
| SR Document General | | | |
| Instance Number | (0020,0013) | 1 | 1 |
| Completion Flag | (0040,A491) | 1 | This field defines the estimated degree of completeness of the SR document content of the Dose Report. We populate this field with a value of "COMPLETE" when a procedure step/study is ended. |
| Verification Flag | (0040,A493) | 1 | We do not provide a means to verify the content of the Dose Report. Therefore, we populate this field with a value of "UNVERIFIED". |
| Content Date | (0008,0023) | 1 | Populated with current date of creation. The date the procedure step/study was ended. |
| Content Time | (0008,0033) | 1 | Populated with current time of creation. The time the procedure step/study was ended. |

| Attribute Name | Tag | DICOM Type | Supported Values |
|--|-------------|------------|--|
| Predecessor Documents Sequence | (0040,A360) | 1C | This field may be present if the Dose Report includes content from a previously delivered Dose Report. |
| Referenced Request Sequence | (0040,A370) | 1C | |
| >Accession Number | (0008,0050) | 2 | Refer to Addendum B |
| >Referenced Study Sequence | (0008,1110) | 2 | |
| >Study Instance UID | (0020,000D) | 1 | |
| >Requested Procedure Description | (0032,1060) | 2 | |
| >Requested Procedure Code Sequence | (0032,1064) | 2 | |
| >Requested Procedure ID | (0040,1001) | 2 | |
| >Placer Order Number / Imaging Service Request | (0040,2016) | 2 | |
| >Filler Order Number / Imaging Service Request | (0040,2017) | 2 | |
| Performed Procedure Code Sequence | (0040,A372) | 2 | |
| >Code Value | (0008,0100) | 1C | Refer to Addendum B |
| >Coding Scheme Designator | (0008,0102) | 1C | |
| >Code Meaning | (0008,0104) | 1C | |
| SR Document Content | | | |
| Value Type | (0040,A040) | 1 | CONTAINER |
| Concept Name Code Sequence | (0040,A043) | 1C | |
| >Code Value | (0008,0100) | 1C | 113701 |
| >Coding Scheme Designator | (0008,0102) | 1C | DCM |
| >Code Meaning | (0008,0104) | 1C | X-Ray Radiation Dose Report |
| Continuity of Content | (0040,A050) | 1 | SEPARATE |
| Content Template Sequence | (0040,A504) | 1C | |
| >Mapping Resource | (0008,0105) | 1 | DCMR |
| >Template Identifier | (0040,DB00) | 1 | 10001 |
| Content Sequence | (0040,A730) | 1C | |
| SOP Common Module | | | |
| SOP Class UID | (0008,0016) | 1 | 1.2.840.10008.5.1.4.1.1.88.67 |
| SOP Instance UID | (0008,0018) | 1 | |
| Specific Character Set | (0008,0005) | 1C | |

3.6 Basic Work List Service

The C-FIND request for a Modality Work List sends an Identifier object that contains all the attributes of the Modality Work List Information Model. Table 3.19 shows the Matching Key attributes that may optionally contain a non-NULL value in the request.

Table 3.19 Matching Key Attributes

| Attribute name | Tag |
|-------------------------------------|-------------|
| Accession Number | (0008,0050) |
| Modality | (0008,0060) |
| Patient's Name | (0010,0010) |
| Patient ID | (0010,0020) |
| Scheduled Station AE Title | (0040,0001) |
| Scheduled Procedure Step Start Date | (0040,0002) |
| Scheduled Procedure Step Start Time | (0040,0003) |
| Requested Procedure ID | (0040,0101) |
| Scheduled Station Name | (0040,0010) |

This is intended to produce a series of responses from the Work List SCP for all matching Scheduled Procedures on the said Station.

The system can be configured to send this request periodically at an interval of 1 to 720 minutes. The user may also issue a non-periodic C-FIND request to obtain information for a patient recently added by the site's information system.

3.6.1 Modality Work List IOD

The *DRX-1 System* provides standard conformance to the Modality Work List Information Model – FIND SOP Class as an SCU.

For additional information on the Modality Work List Information Model, refer to the DICOM specification, Part 4, Table K.6-1. The *DRX-1 System* will accept any valid character set for the Specific Character Set attribute (0008,0005).

Table 3.20 Modality Work List SOP Class

| SOP Class | SOP Class UID |
|---|------------------------|
| Modality Work List Information Model – FIND | 1.2.840.10008.5.1.4.31 |

Table 3.21 Modality Work List SOP Class – Required Attributes

| Attribute Name | Tag | Matching Key |
|---|-------------|---------------------|
| SOP Common | | |
| SOP Class UID | (0008,0016) | |
| SOP Instance UID | (0008,0018) | |
| Specific Character Set | (0008,0005) | |
| Scheduled Procedure Step | | |
| Scheduled Procedure Step Sequence | (0040,0100) | Required |
| > Scheduled Station AE Title | (0040,0001) | Required |
| > Scheduled Procedure Step Start Date | (0040,0002) | Required |
| > Scheduled Procedure Step Start Time | (0040,0003) | Required |
| > Modality | (0008,0060) | Required |
| >Requested Contrast Agent | (0032,1070) | |
| > Scheduled Performing Physician's Name | (0040,0006) | Required |
| >Scheduled Procedure Step Description | (0040,0007) | |
| >Scheduled Station Name | (0040,0010) | |
| >Scheduled Protocol Code Sequence | (0040,0008) | |
| >>Code Value | (0008,0100) | |
| >>Coding Scheme Designator | (0008,0102) | |
| >>Code Meaning | (0008,0104) | |
| >Scheduled Procedure Step ID | (0040,0009) | |
| Requested Procedure | | |
| Requested Procedure ID | (0040,1001) | |
| Requested Procedure Description | (0032,1060) | |
| Requested Procedure Code Sequence | (0032,0164) | |
| >Code Value | (0008,0100) | |
| >Coding Scheme Designator | (0008,0102) | |

| Attribute Name | Tag | Matching Key |
|---------------------------------|-------------|---------------------|
| >Code Meaning | (0008,0104) | |
| Study Instance UID | (0020,000D) | |
| Referenced Study Sequence | (0008,1110) | |
| >Referenced SOP Class UID | (0008,1150) | |
| >Referenced SOP Instance UID | (0008,1155) | |
| Requested Procedure Priority | (0040,1003) | |
| Requested Procedure Location | (0040,1005) | |
| Imaging Service Request | | |
| Referring Physicians Name | (0008,0090) | |
| Accession Number | (0008,0050) | |
| Requesting Service | (0032,1033) | |
| Visit Status | | |
| Visit Status ID | (0038,0008) | |
| Patient's Institution Residence | (0038,0400) | |
| Patient Identification | | |
| Patient's Name | (0010,0010) | |
| Patient ID | (0010,0020) | |
| Other Patient Ids* | (0010,1000) | |
| Other Patient Names | (0010,1001) | |
| Patient Demographic | | |
| Patient's Birth Date | (0010,0030) | |
| Patient's Birth Time | (0010,0032) | |
| Patient's Sex | (0010,0040) | |
| Patient's Age | (0010,1010) | |
| Patient's Size | (0010,1020) | |
| Patient's Weight | (0010,1030) | |
| Ethnic Group | (0010,2160) | |
| Occupation | (0010,2180) | |
| Patient Medical | | |
| Additional Patient's History | (0010,21B0) | |

* Accepts only one value (the first value) from the Modality Work List with a maximum length of 64 characters

3.6.2 Procedure Mapping

The procedure mapping feature of the *DRX-1 System* automatically builds the image icons and pre-populates fields such as body/part and projections from information supplied by the key operator. This eliminates the need for the technologists to supply this information for every image created.

For the procedure mapping to function properly the *DRX-1 System* must receive the correct code in any of the following:

- Code value (0008,0100) element of the requested procedure code sequence (0032,1064) – this is the factory default
- Requested procedure ID (0040, 1001)
- Code value (0008,0100) element of the performed code sequence (0040,0008) of the scheduled procedure step sequence (0040, 0100)

3.7 Modality Performed Procedure Step Notification SOP Class

The Modality Performed Procedure Step (MPPS) commands N-CREATE and N-SET will be sent to the HIS/RIS or PACS by the *DRX-1 System* operator to signal the start and end of a study, respectively.

3.7.1 Modality Performed Procedure Step Notification IOD

The *DRX-1 System* provides standard conformance to the Modality Performed Procedure Step SOP Class as an SCU.

Table 3.22 Modality Performed Procedure Step SOP Class

| SOP Class | SOP Class UID |
|--|-------------------------|
| Modality Performed Procedure Step Notification | 1.2.840.10008.3.1.2.3.5 |

Table 3.23 Modality Performed Procedure Step Attributes

| Attribute Name | Tag | DICOM Type | Supported Values |
|------------------------|-------------|------------|------------------|
| SOP Common | | | |
| SOP Class UID | (0008,0016) | 1 | |
| SOP Instance UID | (0008,0018) | 1 | |
| Specific Character Set | (0008,0005) | 1C | |

| Attribute Name | Tag | DICOM Type | Supported Values |
|--|-------------|------------|------------------|
| Performed Procedure Step Relationship | | | |
| Patient Name | (0010,0010) | 2 | |
| Patient ID | (0010,0020) | 2 | |
| Patient Birth Date | (0010,0030) | 2 | |
| Patient Sex | (0010,0040) | 2 | |
| Scheduled Step Attribute Sequence | (0040,0270) | 1 | |
| > Study Instance UID | (0020,000D) | 1 | |
| > Referenced Study Sequence | (0008,1110) | 2 | |
| >> Referenced SOP Class UID | (0008,1150) | 1C | |
| >> Referenced SOP Instance UID | (0008,1155) | 1C | |
| > Accession Number | (0008,0050) | 2 | |
| > Requested Procedure ID | (0040,1001) | 2 | |
| > Requested Procedure Description | (0032,1060) | 2 | |
| > Scheduled Procedure Step ID | (0040,0009) | 2 | |
| > Scheduled Procedure Step Description | (0040,0007) | 2 | |
| > Scheduled Protocol Code Sequence | (0040,0008) | 2 | |
| >> Code Value | (0008,0100) | 1C | |
| >> Coding Scheme Designator | (0008,0102) | 1C | |
| >> Coding Scheme Version | (0008,0103) | 3 | |
| >> Code Meaning | (0008,0104) | 3 | |
| Referenced Patient Sequence | (0008,1120) | 2 | Empty Sequence |
| Performed Procedure Step Information | | | |
| Performed Procedure Step ID | (0040,0253) | 1 | |
| Performed Station AE Title | (0040,0241) | 1 | |
| Performed Station Name | (0040,0242) | 2 | |
| Performed Location | (0040,0243) | 2 | |
| Performed Procedure Step Start Date | (0040,0244) | 1 | |

| Attribute Name | Tag | DICOM Type | Supported Values |
|--------------------------------------|-------------|------------|------------------|
| Performed Procedure Step Start Time | (0040,0245) | 1 | |
| Performed Procedure Step Status | (0040,0252) | 1 | |
| Performed Procedure Step Description | (0040,0254) | 2 | |
| Performed Procedure Type Description | (0040,0255) | 2 | |
| Procedure Code Sequence | (0008,1032) | 2 | |
| > Code Value | (0008,0100) | 1C | |
| > Coding Scheme Designator | (0008,0102) | 1C | |
| | | | |
| > Code Meaning | (0008,0104) | 3 | |
| Performed Procedure Step End Date | (0040,0250) | 2 | |
| Performed Procedure Step End Time | (0040,0251) | 2 | |
| Image Acquisition Results | | | |
| Modality | (0008,0060) | 1 | |
| Study ID | (0020,0010) | 3 | |
| Performed Protocol Code Sequence | (0040,0260) | 2 | |
| > Code Value | (0008,0100) | 1C | |
| > Coding Scheme Designator | (0008,0102) | 1C | |
| | | | |
| > Code Meaning | (0008,0104) | 3 | |
| Performed Series Sequence | (0040,0340) | 2 | |
| > Performing Physician's Name | (0008,1050) | 2C | |
| > Protocol Name | (0008,1050) | 1C | |
| > Operator's Name | (0008,1070) | 2C | |
| > Series Instance UID | (0020,000E) | 1C | |
| > Series Description | (0008,103E) | 2C | |
| > Retrieve AE Title | (0008,0054) | 2C | |
| > Referenced Image Sequence | (0008,1140) | 2C | |

| Attribute Name | Tag | DICOM Type | Supported Values |
|---|-------------|------------|---|
| >> Referenced SOP Class UID | (0008,1150) | 1C | |
| >> Referenced SOP Instance UID | (0008,1155) | 1C | |
| >Referenced Non-Image Composite SOP Instance Sequence | (0040,0220) | 2 | <p>If the IHE Dose Reporting Option is enabled on the system, the value for this field will be sent.</p> <p>This field represents the unique identification of Dose Report(s) associated with this procedure step.</p> |
| Radiation Dose | | | |
| Anatomic Structure Sequence | (0008,2229) | | Refer to Context Identifier 4031 in Addendum A for supported SNOMED Code Values |
| >Code Value | (0008,0100) | | |
| >Coding Scheme Designator | (0008,0102) | | |
| >Coding Scheme Version | (0008,0103) | | |
| >Code Meaning | (0008,0104) | | |
| >Mapping Resource | (0008,0105) | | |
| >Context Group Version | (0008,0106) | | |
| >Context Identifier | (0008,010f) | | |
| Total Number of Exposures | (0040,0301) | | |
| Distance Source to Detector | (0018,1110) | | |
| Distance Source to Entrance | (0040,0306) | | |
| Entrance Dose | (0040,0302) | | <p>This value will be calculated if Image Area Dose is available, otherwise value will be zero.</p> <p>It will be measured at reference point “In Detector Plane” when Distance Source to Detector and Distance Source to Patient are NOT available.</p> <p>Refer to Addendum B</p> |

| Attribute Name | Tag | DICOM Type | Supported Values |
|---------------------------|-------------|------------|--|
| Entrance Dose in mGy | (0040,8302) | | This value will be calculated if Image Area Dose is available, otherwise value will be zero. It will be measured at reference point "In Detector Plane" when Distance Source to Detector and Distance Source to Patient are NOT available. Refer to Addendum B |
| Exposed Area | (0040,0303) | | |
| Image Dose Product | (0018,115E) | | |
| Exposure Dose Sequence | (0040,030E) | | |
| >Radiation Mode | (0018,115A) | | |
| >KVp | (0018,0060) | | |
| >X-ray Tube Current in uA | (0018,8151) | | |
| >Exposure Time | (0018,1150) | | |

3.8 Storage Commitment Push Model SOP Class

The *DRX-1 System* provides standard conformance to the Storage Commitment Push Model SOP Class as an SCU.

Table 3.24 Storage Commitment SOP Class

| SOP Class | SOP Class UID |
|-------------------------------|----------------------|
| Storage Commitment Push Model | 1.2.840.10008.1.20.1 |

The SCPM N-Action command is sent by the *DRX-1 System* at the end of a storage session or at a separate session if configured to do so. The Storage Commitment N-Event-Report is received and processed anytime providing the Port Number is configured correctly between the *DRX-1 System* and the Storage SCP.

3.8.1 DIMSE Service N-ACTION

The *DRX-1 System* uses the N-ACTION to instruct the Storage SCP to commit the images of the study and/or to commit the RDSR.

3.8.1.1 Storage Commitment N-ACTION IOD

Table 3.25 Storage Commitment N-ACTION Attributes

| Attribute | Tag |
|-----------|-----|
|-----------|-----|

| | |
|-------------------------------|-------------|
| Transaction UID | (0008,1195) |
| Referenced SOP Sequence | (0008,1199) |
| >Referenced SOP Class UID | (0008,1150) |
| > Referenced SOP Instance UID | (0008,1155) |

3.8.2 DIMSE Service N-EVENT-REPORT

The *DRX-1 System* will process the indication of the N-EVENT-REPORT from the Storage Commitment operation. Table 3.26 lists the attributes that are processed by the DR.

3.8.1.1 Storage Commitment N-EVENT-REPORT IOD

Table 3.26 Storage Commitment N-EVENT-REPORT Attributes

| Attribute | Tag |
|-------------------------------|--------------|
| Transaction UID | (0008,1195) |
| Failed SOP Sequence* | (0008,1198) |
| > Referenced SOP Class UID | (0008,1150) |
| > Referenced SOP Instance UID | (0008,1155) |
| > Failure Reason | (0008, 1197) |
| Referenced SOP Sequence | (0008,1199) |
| > Referenced SOP Class UID | (0008,1150) |
| > Referenced SOP Instance UID | (0008,1155) |

* For Event Type ID 2 only.

3.9 Priors

The Priors feature will send separate C-FIND and C-MOVE commands N- to the PACS to request a list of studies/images for a given patient, and to them request the transfer of those images respectively.

3.9.1 DICOM Query C-FIND

| SOP Class | SOP Class UID |
|--|-----------------------------|
| Study Root Query Retrieve Information Model - FIND | 1.2.840.10008.5.1.4.1.2.2.1 |

Study Level Key Attributes (C-Find):

First we look for studies that we might be interested in.

| Attribute Name | Tag | Value |
|-------------------------------|-------------|---|
| <i>Specific Character Set</i> | (0008,0005) | <i>Used by the device to properly decode DICOM fields subject to this</i> |

| | | |
|---------------------------------|-------------|--|
| <i>e.g. ISO_IR 100, GB18030</i> | | <i>value, e.g. Patient Name.</i> |
| Study Date | (0008,0020) | We populate this field with the date range of interest in the format: yyyyMMdd-yyyyMMdd. This is a required field by the DICOM standard. We expect matching to occur on this field. i.e. We expect any C-Find response to have study dates within this range. |
| Study Time | (0008,0030) | We populate this field with an empty string. This is a required field by the DICOM standard, so this should be filled in by the PACS in the response. If not filled in, we can still handle this. |
| Accession Number | (0008,0050) | We populate this field with an empty string. This is a required field by the DICOM standard, so this should be filled in by the PACS in the response. We do not currently use this field. |
| Query/Retrieve Level | (0008,0052) | We populate this field with: "STUDY" |
| Patient Name | (0010,0010) | We fill this field with the Patient's Last Name + '*' (wild card). e.g. If the Patient's Last Name is Smith, we fill this value with "Smith*". This is a required field by the DICOM standard, and it is expected that the PACS will match on this value. |
| Patient Id | (0010,0020) | We fill this field with the Patient Id. This is a required field by the DICOM standard, and it is expected that the PACS will match on this value. |
| Patient's Birth Date | (0010,0030) | This is an optional tag by the DICOM standard. We will only pass this tag if the "Date of Birth" must match checkbox is checked on the Key Op Configuration for priors. If we pass this tag, we fill this in the patient's birth date. We will then look at the value in the response returned to see if it matches the patient's birth date. A device could treat this as a matching field. |
| Study Instance UID | (0020,000D) | This is defined as a "Unique Key" by the DICOM standard. In this case, this uniquely identifies an instance of a study. We populate this field with an empty string. The PACS will fill in this value in the response. |
| Study Id | (0020,0010) | We populate this field with an empty string. This is a required field by the DICOM standard, so this should be filled in by the PACS in the response. |
| Modalities in Study | (0008,0061) | We populate this field with an empty string. This is an optional tag by the DICOM standard. If supported by the PACS, the PACS will return the list of modalities used in the study. |
| Study Description | (0008,1030) | We populate this field with an empty string. This is an optional tag by the DICOM standard. If supported by the PACS, the PACS will return the list of modalities used in the study. |

Series Level Key Attributes (C-Find):

From the list of matching studies found, we look for matching series.

| Attribute Name | Tag | Value |
|--|-------------|---|
| Specific Character Set e.g. ISO_IR 100, GB18030 | (0008,0005) | Used by the device to properly decode DICOM fields subject to this value, e.g. Patient Name. |
| Modality | (0008,0060) | We populate this field with an empty string. This is a required field by the DICOM standard, so this should be filled in by the PACS in |

| | | |
|----------------------|-------------|---|
| | | the response. The returned value is then used to determine whether this series is associated with one of the modalities that we are configured to retrieve priors for. If so, we will continue to query on this series. If not, we won't. |
| Query/Retrieve Level | (0008,0052) | We populate this field with "SERIES". |
| Body Part Examined | (0018,0015) | We populate this field with an empty string. This is an optional tag by the DICOM standard, but the prior image retrieval feature will not work optimally if this tag is not supported. If returned by the PACS, this tag is used to determine if this series is for the body part that we are interested in. If this field is empty or not returned we will treat this as a body part match even though we really don't know if it is. |
| Patient Position | (0018,5100) | We populate this field with an empty string. This is an optional tag by the DICOM standard. If supported by the PACS, the PACS will return the Patient Position. |
| View Position | (0018,5101) | We populate this field with an empty string. This is an optional tag by the DICOM standard. If supported by the PACS, the PACS will return the View Position. If this series is retrieved, the view position value will be used for determining how well the prior matches the image for which it was retrieved. It will also be displayed with the Body Part on the Prior Information Panel. |
| Study Instance UID | (0020,000D) | This is the Study Instance UID returned in the Study Level C-Find command. This value is treated as a matching value. The PACS will only return responses to this query that match this Study Instance UID. |
| Series Instance UID | (0020,000E) | This is defined as a "Unique Key" by the DICOM standard. In this case, this uniquely identifies an instance of a series. We populate this field with an empty string. The PACS will fill in this value in the response. |
| Series Number | (0020,0011) | We populate this field with an empty string. This is a required field by the DICOM standard, so this should be filled in by the PACS in the response. This is used to help us determine which series record is most recent. |
| Series Description | (0008,103E) | We populate this field with an empty string. This is an optional tag by the DICOM standard. If supported by the PACS, the PACS will return the list of modalities used in the study. |

Image Level Key Attributes (C-Find):

From the list of matching series, we look for matching images.

| Attribute Name | Tag | Value |
|--|-------------|--|
| Specific Character Set e.g. ISO_IR 100, GB18030 | (0008,0005) | Used by the device to properly decode DICOM fields subject to this value, e.g. Patient Name. |
| Query/Retrieve Level | (0008,0052) | We populate this field with "IMAGE". |
| Study Instance UID | (0020,000D) | This is the Study Instance UID returned in the Study Level C-Find command. This value is treated as a matching value. The PACS |

| | | |
|---------------------|-------------|---|
| | | will only return responses to this query that match this Study Instance UID. |
| Series Instance UID | (0020,000E) | This is the Series Instance UID returned in the Series Level C-Find command. This value is treated as a matching value. The PACS will only return responses to this query that match this Series Instance UID. |
| SOP Instance UID | (0008,0018) | This is defined as a "Unique Key" by the DICOM standard. In this case, this uniquely identifies an instance of an image. We populate this field with an empty string. The PACS will fill in this value in the response. |
| Acquisition Date | (0008,0022) | We populate this field with an empty string. This is an optional tag by the DICOM standard. If supported by the PACS, the PACS will return the acquisition date of the image. |
| Acquisition Time | (0008,0032) | We populate this field with an empty string. This is an optional tag by the DICOM standard. If supported by the PACS, the PACS will return the acquisition time of the image. |
| Instance Number | (0020,0013) | We populate this field with an empty string. This is a required field by the DICOM standard, so this should be filled in by the PACS in the response. This is used to help us determine which image record is most recent. |
| SOP Class UID | (0008,0016) | We populate this field with an empty string. This is an optional tag by the DICOM standard. If supported by the PACS, the PACS will return the SOP Class UID of the image. This helps us to determine whether or not we are interested in this image. Perhaps this is a type of image that we do not support, e.g. Secondary Capture. |

3.9.2 DICOM Retrieve C-MOVE

| SOP Class | SOP Class UID |
|--|-----------------------------|
| Study Root Query Retrieve Information Model - MOVE | 1.2.840.10008.5.1.4.1.2.2.2 |

From the list of matching images, will send a C-MOVE command for each image:

| Description | Tag | Usage |
|----------------------|-------------|---|
| Query/Retrieve Level | (0008,0052) | "IMAGE" |
| Study Instance UID | (0020,000D) | Study Instance UID associated with this image. |
| Series Instance UID | (0020,000E) | Series Instance UID associated with this image. |
| SOP Instance UID | (0008,0018) | SOP Instance UID that uniquely identifies this image. |

Act as a Store SCP for the following Store Services:

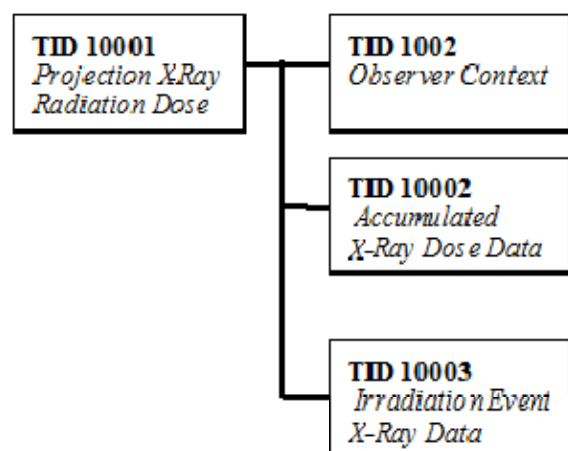
| SOP Class | UID | Transfer Syntax Name | Transfer Syntax UID | Role |
|--|-----------------------------|---|---------------------|------|
| Computed Radiography Image Storage SOP Class UID | 1.2.840.10008.5.1.4.1.1.1 | Implicit VR Little Endian (Default Transfer Syntax for DICOM) | 1.2.840.10008.1.2 | SCP |
| | | Explicit VR Little Endian | 1.2.840.10008.1.2.1 | SCP |
| Grayscale Softcopy Presentation State Storage | 1.2.840.10008.5.1.4.1.1.1.1 | Implicit VR Little Endian (Default Transfer Syntax for DICOM) | 1.2.840.10008.1.2 | SCP |
| | | Explicit VR Little Endian | 1.2.840.10008.1.2.1 | SCP |
| Digital X-Ray Image Storage - For Presentation | 1.2.840.10008.5.1.4.1.1.1.1 | Implicit VR Little Endian (Default Transfer Syntax for DICOM) | 1.2.840.10008.1.2 | SCP |
| | | Explicit VR Little Endian | 1.2.840.10008.1.2.1 | SCP |
| Digital Mammography Image Storage - For Presentation | 1.2.840.10008.5.1.4.1.1.1.2 | Implicit VR Little Endian (Default Transfer Syntax for DICOM) | 1.2.840.10008.1.2 | SCP |
| | | Explicit VR Little Endian | 1.2.840.10008.1.2.1 | |

3.10 Structured Reports

The IHE Dose Reporting feature will enable the creation and delivery (e.g. Store Dose Information, Storage Commitment) of a Radiation Dose Structured Report on completion or discontinuation of a procedure step where irradiation events occurred.

Radiation Dose Structured Report

X-Ray Radiation Dose SR IOD Template Structure



Note: Terminology used in the following TID table(s) for the column “Presence of Value”:

ALWAYS If the attribute is a “Mandatory” attribute then it will always be present

with a value or included with no value.

If the attribute is a “Mandatory Conditional” attribute and the condition was satisfied, then it will always be present with a value or included with no value.

If the attribute is a “User Option” attribute and the attribute has a value then it will be included.

If the attribute is a “User Option Conditional” attribute and the condition was satisfied and the attribute has a value then it will be included.

CONDITIONAL The attribute is present under specified condition.

| TID 10001 Projection X-Ray Radiation Dose | | | | | |
|---|----------------------|--|----|-------------------|---|
| NL | Relation with Parent | Concept Name | VM | Presence of Value | Value(s) |
| | | (113701, DCM, “X-Ray Radiation Dose Report”) | 1 | ALWAYS | |
| > | HAS CONCEPT MOD | (121058, DCM, “Procedure reported”) | 1 | ALWAYS | (113704, DCM, “Projection X-Ray”) for Digital and Computed Radiography (P5-40010, SRT, “Mammography”) for Mammography Computed Radiography |
| >> | HAS CONCEPT MOD | (G-C0E8, SRT, “Has Intent”) | 1 | ALWAYS | (R-408C3, SRT, “Diagnostic Intent”) |
| > | CONTAINS | (122142, DCM, “Acquisition Device Type”) | 1 | ALWAYS | (113958, DCM, “Integrated Projection Radiography System”) for Digital Radiography (113959, DCM, “Cassette-based Projection Radiography |

| | | | | | |
|----|-----------------------|--|-----|--------|--|
| | | | | | System") for Computed Radiography |
| > | | DTID (1002) Observer Context | 1-n | ALWAYS | Will have one Device Observer and one Person Observer |
| > | HAS OBS CONTEXT | (113705, DCM, "Scope of Accumulation") | 1 | ALWAYS | (113016, DCM, "Performed Procedure Step") |
| >> | HAS PROPERTIES | DCID (10001) UID Types | 1 | ALWAYS | (121126, DCM, "Performed Procedure Step SOP Instance UID") |
| > | CONTAINS | (113945, DCM, "X-Ray Detector Data Available") | 1 | ALWAYS | (R-0038D, SRT, "Yes") |
| > | CONTAINS | (113943, DCM, "X-Ray Source Data Available") | 1 | ALWAYS | (R-0038D, SRT, "Yes") if X-Ray Source Data is available; otherwise (R-00339, SRT, "No") |
| > | CONTAINS | (113944, DCM, "X-Ray Mechanical Data Available") | 1 | ALWAYS | (R-0038D, SRT, "Yes") for Digital Radiography Systems (R-00339, SRT, "No") for Computed Radiography Systems who do not have a Livingston box |
| > | CONTAINS | DTID (10002) Accumulated X-Ray Dose | 1 | ALWAYS | (113622, DCM, "Single Plane") |
| > | CONTAINS | DTID (10003) Irradiation Event X-Ray Data | 1-n | ALWAYS | |
| > | CONTAINS | (113854, DCM, "Source of Dose Information") | 1-n | ALWAYS | (113857, DCM, "Manual Entry") for Non-integrated Systems (113856, DCM, " Automated Data Collection") |

| | | | | | for Integrated Systems |
|--|----------------------|---|----|-------------------|---|
| TID 10002 Accumulated X-Ray Dose Data | | | | | |
| NL | Relation with Parent | Concept Name | VM | Presence of Value | Value(s) |
| | | (113702, DCM, "Accumulated X-Ray Dose Data") | 1 | ALWAYS | |
| > | HAS CONCEPT MOD | (113764, DCM, "Acquisition Plane") | 1 | ALWAYS | (113622, DCM, "Single Plane") |
| > | CONTAINS | DTID (10005) Accumulated Mammography X-Ray Dose | 1 | CONDITIONAL | |
| > | CONTAINS | DTID (10007) Accumulated Integrated Projection Radiography Dose | 1 | CONDITIONAL | |
| > | CONTAINS | DTID (10006) Accumulated Cassette-based Projection Radiography Dose | 1 | CONDITIONAL | |
| TID 10003 Irradiation Event X-Ray Data | | | | | |
| NL | Relation with Parent | Concept Name | VM | Presence of Value | Value(s) |
| | | (113706, DCM, "Irradiation Event X-Ray Data") | 1 | ALWAYS | |
| > | HAS CONCEPT MOD | (113764, DCM, "Acquisition Plane") | 1 | ALWAYS | (113622, DCM, "Single Plane") |
| > | CONTAINS | (113769, DCM, "Irradiation Event UID") | 1 | ALWAYS | |
| > | CONTAINS | (111526, DCM, "DateTime Started") | 1 | ALWAYS | |
| > | CONTAINS | (113721, DCM, "Irradiation Event Type") | 1 | ALWAYS | (113611, DCM, "Stationary Acquisition") |

| | | | | | |
|----|-----------------|--|---|-------------|--|
| > | CONTAINS | (125203, DCM, "Acquisition Protocol") | 1 | ALWAYS | |
| > | CONTAINS | (T-D0005, SRT, "Anatomical structure") | 1 | ALWAYS | DCID (4009) DX Anatomy Imaged Refer to Addendum A |
| > | CONTAINS | (111031, DCM, "Image View") | 1 | ALWAYS | DCID (4010) DX View DCID (4014) View for Mammography Computed Radiography Refer to Addendum A |
| >> | HAS CONCEPT MOD | (111032, DCM, "Image View Modifier") | 1 | ALWAYS | DCID (4011) DX View Modifier DCID (4015) View Modifier for Mammography Computed Radiography Refer to Addendum A |
| > | CONTAINS | (123014 , DCM, "Target Region") | 1 | ALWAYS | DCID (4031) Common Anatomic Regions Refer to Addendum A |
| > | CONTAINS | (122130, DCM, "Dose Area Product") | 1 | CONDITIONAL | For non-integrated systems in order for this value to be populated and sent, the system user needs to enter the value manually. Value is present for Projection X-Ray. Refer to Addendum B |
| > | CONTAINS | (111636, DCM, "Entrance Exposure at RP") | 1 | CONDITIONAL | Value is present for Mammography Computed Radiography; Value may be present otherwise. Refer to Addendum B |

| | | | | | |
|---|----------|---|---|-------------|------------------------------------|
| > | CONTAINS | (113780, DCM, "Reference Point Definition") | 1 | ALWAYS | (113941, DCM, "In Detector Plane") |
| > | CONTAINS | DTID (10003a) Irradiation Event X-Ray Detector Data | 1 | CONDITIONAL | |
| > | CONTAINS | DTID (10003b) Irradiation Event X-Ray Source Data | 1 | CONDITIONAL | |
| > | CONTAINS | DTID (10003c) Irradiation Event X-Ray Mechanical Data | 1 | CONDITIONAL | |

TID 10003a Irradiation Event X-Ray Detector Data

| NL | Relation with Parent | Concept Name | VM | Presence of Value | Value(s) |
|----|----------------------|--|----|-------------------|---|
| | | (113845, DCM, "Exposure Index") | 1 | ALWAYS | Units = (1,UCUM, "no units") This will always be the IEC Exposure Index except for Mammography Computed Radiography. For Mammography Computed Radiography, we will use the Carestream Health Exposure Index. |
| | | (113846, DCM, "Target Exposure Index") | 1 | ALWAYS | Units = (1,UCUM, "no units") This will not be populated for Mammography Computed Radiography. |
| | | (113847, DCM, "Deviation Index") | 1 | ALWAYS | Units = (1,UCUM, "no units") This will not be populated for |

| | | | | | |
|--|--|------------------------------------|-----|--------|---|
| | | | | | Mammography Computed Radiography. |
| | | (113795, DCM, "Acquired Image") | 1-n | ALWAYS | Referenced SOP Class UID and Instance UID of Image Object created for this irradiation event. |

TID 10003b Irradiation Event X-Ray Source Data

| NL | Relation with Parent | Concept Name | VM | Presence of Value | Value(s) |
|-----------|-----------------------------|----------------------------|-----------|--------------------------|--|
| | | (113738, DCM, "Dose (RP)") | 1 | CONDITIONAL | <p>Dose at the Reference Point.</p> <p>This value will be calculated if Image Area Dose is available, otherwise value will be zero.</p> <p>Note: If the system user manually enters the value for Entrance Dose it is assumed that the dose information entered is "at the surface of the patient" based on the DICOM Specification for tags Entrance Dose ((0040,0302) and (0040,8302)). Even if this is the case, the Reference Point Definition tag value (113780, DCM, "Reference Point Definition") will still be reported as (113941, DCM, "In Detector Plane").</p> <p>Value is present for Projection X-Ray.</p> |

| | | | | | |
|--|--|---|-----|-------------|--|
| | | | | | Refer to Addendum B |
| | | (113780, DCM, "Reference Point Definition") | 1 | ALWAYS | (113941, DCM, "In Detector Plane") |
| | | (111631, DCM, "Average Glandular Dose") | 1 | CONDITIONAL | Value is present for Mammography Computed Radiography |
| | | (113733, DCM, "KVP") | 1-n | ALWAYS | For non-integrated systems in order for this value to be populated and sent, the system user needs to enter the value manually. Refer to Addendum B |
| | | (113734, DCM, "X-Ray Tube Current") | 1-n | ALWAYS | Units = EV (mA, UCUM, "mA") |
| | | (113824, DCM, "Exposure Time") | 1 | ALWAYS | Time in milliseconds |
| | | (113736, DCM, "Exposure") | 1-n | ALWAYS | Units = EV (uAs, UCUM, "uAs") |

TID 10003c Irradiation Event X-Ray Mechanical Data

| NL | Relation with Parent | Concept Name | VM | Presence of Value | Value(s) |
|----|----------------------|---|-----|-------------------|---|
| | | DCID (10008) Dose Related Distance Measurements | 1-n | CONDITIONAL | (113750, DCM, "Distance Source to Detector") Value is present if SID value is used in dose calculations. |

TID 10005 Accumulated Mammography X-Ray Dose

| NL | Relation with Parent | Concept Name | VM | Presence of Value | Value(s) |
|----|----------------------|--------------------------------------|----|-------------------|----------------------------------|
| | | (111637, DCM, "Accumulated Average") | 2 | ALWAYS | Value is present for Mammography |

| | | Glandular Dose") | | | Computed Radiography. A value multiplicity of 2 will be returned – one for left breast and one for right breast. If no laterality is specified, the dose value will be divided between the left and right breast. |
|---|----------------------|--|----|-------------------|--|
| > | HAS CONCEPT MOD | (G-C171, SRT, "Laterality") | 1 | ALWAYS | DCID (6022) Side Value is present for Mammography Computed Radiography |
| TID 10006 Accumulated Cassette-based Projection Radiography Dose | | | | | |
| NL | Relation with Parent | Concept Name | VM | Presence of Value | Value(s) |
| | | (113947, DCM, "Detector Type") | 1 | CONDITIONAL | (113949, DCM, "Indirect Detector ") for Digital Radiography (113950, DCM, "Storage Detector") for Computed Radiography and Mammography Computed Radiography |
| | | (113731, DCM, "Total Number of Radiographic Frames") | 1 | CONDITIONAL | Value represents the number of images in the procedure step/study that have been exposed. |
| TID 10007 Accumulated Integrated Projection Radiography Dose | | | | | |
| NL | Relation with Parent | Concept Name | VM | Presence of Value | Value(s) |
| | | (113722, DCM, "Dose Area Product Total") | 1 | ALWAYS | The value will be the sum of the Dose Area Product values for the procedure step. |

| | | | | | |
|--|--|--|---|--------|--|
| | | | | | Units = EV (Gy.m2, UCUM, "Gy.m2") |
| | | (113725, DCM, "Dose (RP) Total") | 1 | ALWAYS | The value will be the sum of the Dose (RP) values for the procedure step. Units = EV (Gy, UCUM, "Gy") |
| | | (113731, DCM, "Total Number of Radiographic Frames") | 1 | ALWAYS | Value represents the number of images in the procedure step/study that have been exposed. |
| | | (113780, DCM, "Reference Point Definition") | 1 | ALWAYS | (113941, DCM, "In Detector Plane") |

TID 1002 Observer Context

| NL | Relation with Parent | Concept Name | VM | Presence of Value | Value(s) |
|----|----------------------|--|----|-------------------|--|
| | HAS OBS CONTEXT | (121005,DCM, "Observer Type") | 1 | ALWAYS | (121006, DCM, "Person") (121007, DCM, "Device") |
| | HAS OBS CONTEXT | DTID (1003) Person observer identifying attributes | 1 | ALWAYS | |
| | HAS OBS CONTEXT | DTID (1004) Device observer identifying attributes | 1 | ALWAYS | |

TID 1004 Device Observer Identifying Attributes

| NL | Relation with Parent | Concept Name | VM | Presence of Value | Value(s) |
|----|----------------------|-------------------------------------|----|-------------------|-------------------------------|
| | | (121012,DCM, "Device Observer UID") | 1 | ALWAYS | This field will be populated. |

| | | | | | |
|--|--|---|-----|--------|--|
| | | (121013,DCM, "Device Observer Name") | 1 | ALWAYS | Defaults to value of Station Name (0008,1010) in General Equipment Module |
| | | (121014,DCM, "Device Observer Manufacturer") | 1 | ALWAYS | Defaults to value of Manufacturer (0008,0070) in General Equipment Module |
| | | (121015,DCM, "Device Observer Model Name") | 1 | ALWAYS | Defaults to value of Manufacturer's Model Name (0008,1090) in General Equipment Module |
| | | (121016,DCM, "Device Observer Serial Number") | 1 | ALWAYS | Defaults to value of Device Serial Number (0018,1000) in General Equipment Module |
| | | (113876, DCM, "Device Role in Procedure") | 1-n | ALWAYS | (113859, DCM, "Irradiating Device") |

TID 1003 Person Participant

| NL | Relation with Parent | Concept Name | VM | Presence of Value | Value(s) |
|-----------|-----------------------------|--|-----------|--------------------------|---|
| | | (121008,DCM, "Person Observer Name") | 1 | ALWAYS | The system user needs to enter the value manually, otherwise a blank value will be sent. Refer to Addendum B |
| | | (121009,DCM, "Person Observer's Organization Name") | 1 | ALWAYS | Defaults to Institution Name (0008,0080) of the General Equipment Module |
| | | (121010,DCM, "Person Observer's Role in the Organization") | 1 | ALWAYS | (121083, DCM, "Technologist") |
| | | (121011,DCM, "Person Observer's Role in this Procedure") | 1 | ALWAYS | (121094, DCM, "Performing") |

4 Communication Profiles

4.1 Supported Communications Stacks

The *DRX-1 System* provides TCP/IP Network Communication Support as defined in Part 8 of the DICOM standard.

The *DRX-1 System* normally issues a network echo prior to delivering a job to a qualified DICOM Print or DICOM Store destination to ensure that the device is active.

4.2 Physical Media Support

The *DRX-1 System* supports Ethernet with the following physical connectors:

- Unshielded Twisted pair (10BaseT, 100BaseT and 1000BaseT).
- DRX-Revolution, DRX-Mobile and DRX-Transportable provide an additional 802.11a/b/g wireless network interface.

5 Extensions/Specializations/Privatizations

Tables [5.2](#) list a number of extensions to the DICOM Store Service Class, which the *DRX-1 System* supports. The extensions are all optional attributes.

5.1 Computed Radiography IOD

5.1.1 Specialization of Pixel Spacing

The *DRX-1 System* optionally allows the Pixel Spacing (0028,0030) attribute to be used from the Image Plane Module. This is done to support workstations that incorrectly use this field rather than Imager Pixel Spacing (0018,1164), as defined in the DICOM standard. If this field is used, the actual size of any objects displayed on the workstation (scales, etc.) may be in error.

5.1.2 Alternate Image Display Spaces

In addition to supporting P-Values (DICOM Grayscale Display Function perceptually linear output), the DRX-1 Systems also support the following display spaces:

- **Density**

Pixel data is linearly related to optical film density. With a photometric interpretation of MONOCHROME1, a value of 0 represents minimum density and a value of 4095 represents maximum density.

- **Luminance**

Pixel data is perceptually linear in brightness according to a proprietary model of the human visual system response developed by Kodak. Despite the name used, the pixel data is not linearly related to luminance or log luminance.

This option should only be used in support of legacy Kodak display products.

The *DRX-1 System* supports the use of the Density, Luminance or P-Value display spaces with the CR IOD, DX IOD.

5.1.3 Extension for P-Value Encoding

If the destination supports VOI LUT, a VOI LUT converting image pixel values to P-Values will be sent. Otherwise, the VOI LUT will be rendered into the image.

The Photometric Interpretation will be always MONOCHROME2 and an additional tag of Presentation LUT Shape as IDENTITY will be sent.

Table 5.2 Extension Attributes for P-Value Encoding

| Attribute Name | Tag | DICOM Type | <i>DRX-1 System</i> Type | Supported Values |
|----------------------------|-------------|------------|--------------------------|---|
| Photometric Interpretation | (0028,0004) | 1 | 1 | MONOCHROME2 Only MONOCHROME2 is sent when P-Value Encoding flag is turned on |
| Presentation LUT Shape | (2050,0020) | N/A | 1C | IDENTITY Sent only when P-Value Encoding flag is turned on |

5.1.4 Extension to Body part Examined, View Position and Patient Position

The user may define additional labels that may be used to populate the Body Part Examined (0018,0015), View Position (0018,5101) attributes. The software enforces the use of valid characters for the additional labels created by the user.

6 Configuration

Table [6.1](#) lists the network attributes that are configurable by a qualified service provider.

Table 6.1 Configurable Network Attributes

| Configurable Network Attributes |
|---------------------------------|
| IP address |

| Configurable Network Attributes |
|--|
| Subnet Mask |
| Local Network Host Name (<i>DRX-1 System</i> AE Title) |
| SCP DICOM Called Application Entity Title |
| Socket number |
| Router Address (Gateway) |
| DICOM Service(s) available |
| Private Tag Support |
| P-Value Encoding Support |
| Other destination properties |
| SCPM separate association support |
| GSPS support |
| Alternate IOD (Secondary Capture) for the SCP that does not support CR |

7 Support of Extended Character Sets

The *DRX-1 System* will support any valid character set for the Specific Character Set attribute (0008,0005).

| Possible Values of (0008,0005) | Description |
|---------------------------------------|---|
| blank ISO 2022 IR 6 | ISO-IR 6 the Default character set |
| ISO_IR 100 ISO 2022 IR 100 | Latin 1 character set |
| GB18030 | Simplified and Traditional Chinese |
| ISO 2022 IR 13 | Japanese (JIS X 0201: Katakana and Romaji) |
| ISO 2022 IR 87 | Japanese (JIS X 0208: Kanji) |
| ISO_IR 101 | Polish, Hungarian, Romanian, and Czech |
| ISO_IR 126 | Greek (Supplementary set of ISO 8859) |
| ISO_IR 144 | Ukrainian and Russian |
| ISO_IR 148 | Turkish |
| ISO 2022 IR 149 | Korean (KS X 1001: Hangul and Hanja) |
| ISO 2022 IR 159 | Japanese (JIS X 0212: Supplemental Kanji set) |

Note: The Extended Character Sets mentioned above do not apply to the Work List.

8 Error Handling

If communication errors are encountered, retries will be attempted based on configurable retry intervals and maximum number of retries. If the communication cannot be achieved, the job will be considered failed and set for retrial after a configurable time period (default of 5 minutes).

All errors and warnings received from the SCPs will be logged and job status will be reported to the user.

Addendum A Supported SNOMED Code Values

Table [A.1](#) describes the SNOMED Code Values that are supported by the *DRX-1 System*.

Table A.1 Supported SNOMED Code Values

| Context Identifier | |
|--------------------------------------|-----------------------------------|
| 19 | |
| Coding Scheme Designator (0008,0102) | Coding Scheme Version (0008,0103) |
| SRT | 20020904 |
| Code Value (0008,0100) | Code Meaning (0008,0104) |
| F-10440 | erect |
| F-10450 | recumbent |
| F-10460 | semi-erect |
| Context Identifier | |
| 20 | |
| Coding Scheme Designator (0008,0102) | Coding Scheme Version (0008,0103) |
| SRT | 20070524 |
| Code Value (0008,0100) | Code Meaning (0008,0104) |
| F-10310 | prone |
| F-10316 | semi-prone |
| F-10317 | right lateral decubitus |
| F-10318 | lateral decubitus |
| F-10319 | left lateral decubitus |
| F-10320 | standing |
| F-10326 | anatomical |
| F-10330 | kneeling |
| F-10336 | knee-chest |
| F-10340 | supine |
| F-10346 | lithotomy |

| | |
|---|--|
| F-10348 | Trendelenburg |
| F-10349 | inverse Trendelenburg |
| F-10380 | frog |
| F-10390 | stooped-over |
| F-103A0 | sitting |
| F-10410 | curled-up |
| R-40799 | lordotic |
| Context Identifier | |
| 4010 | |
| Coding Scheme Designator (0008,0102) | Coding Scheme Version (0008,0103) |
| SRT | 20090119 |
| Code Value (0008,0100) | Code Meaning (0008,0104) |
| R-10202 | frontal |
| R-10204 | frontal oblique |
| R-10206 | antero-posterior |
| R-10208 | antero-posterior oblique |
| R-10210 | right posterior oblique |
| R-10212 | left posterior oblique |
| R-10214 | postero-anterior |
| R-10216 | postero-anterior oblique |
| R-10218 | right anterior oblique |
| R-10220 | left anterior oblique |
| R-10222 | sagittal |
| R-10224 | medial-lateral |
| R-40783 | lateral oblique |
| R-10228 | lateral-medial |
| R-10232 | right lateral |
| R-10234 | right oblique |

| | |
|---|--|
| R-10236 | left lateral |
| R-10238 | left oblique |
| R-10241 | axial |
| R-10242 | cranio-caudal |
| R-10244 | caudo-cranial |
| R-10246 | oblique axial |
| R-10248 | oblique cranio-caudal |
| R-10250 | oblique caudo-cranial |
| R-10252 | frontal-oblique axial |
| R-10254 | sagittal-oblique axial |
| R-102C1 | oblique |
| R-102CD | lateral |
| R-102C2 | tangential |
| R-10256 | submentovertical |
| R-10257 | verticosubmental |
| R-102C3 | plantodorsal |
| R-102C4 | dorsoplantar |
| R-102C5 | parietoacanthal |
| R-102C6 | acanthoparietal |
| R-102C7 | orbitoparietal |
| R-102C8 | parieto-orbital |
| R-10230 | latero-medial oblique |
| R-10226 | medio-lateral oblique |
| G-8300 | tissue specimen |
| Context Identifier | |
| 4011 | |
| Coding Scheme Designator (0008,0102) | Coding Scheme Version (0008,0103) |
| SRT | 20070524 |

| Code Value (0008,0100) | Code Meaning (0008,0104) |
|---|--|
| R-10244 | cephalad |
| R-10242 | caudad |
| R-40885 | transthoracic |
| R-4087B | transforamenal |
| G-D00B | transoral |
| R-40554 | transorbital |
| 111069 | Crosstable |
| R-421A4 | Mouth closed |
| Context Identifier | |
| 4014 | |
| Coding Scheme Designator (0008,0102) | Coding Scheme Version (0008,0103) |
| SRT | 20090717 |
| Code Value (0008,0100) | Code Meaning (0008,0104) |
| R-10224 | medio-lateral |
| R-10226 | medio-lateral oblique |
| R-10228 | latero-medial |
| R-10230 | latero-medial oblique |
| R-10242 | cranio-caudal |
| R-10244 | caudo-cranial (from below) |
| R-102D0 | superolateral to inferomedial oblique |
| R-40AAA | inferomedial to superolateral oblique |
| R-1024A | cranio-caudal exaggerated laterally |
| R-1024B | cranio-caudal exaggerated medially |
| G-8310 | tissue specimen from breast |
| Context Identifier | |
| 4015 | |
| Coding Scheme Designator (0008,0102) | Coding Scheme Version (0008,0103) |

| | |
|---|--|
| SRT | 20090717 |
| Code Value (0008,0100) | Code Meaning (0008,0104) |
| R-102D2 | Cleavage |
| R-102D1 | Axillary Tail |
| R-102D3 | Rolled Lateral |
| R-102D4 | Rolled Medial |
| R-102CA | Rolled Inferior |
| R-102C9 | Rolled Superior |
| R-102D5 | Implant Displaced |
| R-102D6 | Magnification |
| R-102D7 | Spot Compression |
| R-102C2 | Tangential |
| R-40AB3 | Nipple in profile |
| P2-00161 | Anterior compression |
| R-40ABE | Infra-mammary fold |
| R-40AB2 | Axillary tissue |
| Context Identifier | |
| 4031 | |
| Coding Scheme Designator (0008,0102) | Coding Scheme Version (0008,0103) |
| SRT | 20091021 |
| Code Value (0008,0100) | Code Meaning (0008,0104) |
| T-D4000 | Abdomen |
| T-15420 | Acromioclavicular joint |
| T-15750 | Ankle joint |
| T-280A0 | Apex of Lung |
| T-D8200 | Arm |
| T-60610 | Bile duct |
| T-74000 | Bladder |

| | |
|---------|-----------------|
| T-04000 | Breast |
| T-26000 | Bronchus |
| T-12770 | Calcaneus |
| T-11501 | Cervical spine |
| T-D3000 | Chest |
| T-12310 | Clavicle |
| T-11BF0 | Coccyx |
| T-58200 | Duodenum |
| T-D8300 | Elbow |
| T-56000 | Esophagus |
| T-D0300 | Extremity |
| T-D0801 | Eye region |
| T-11196 | Facial bones |
| T-12710 | Femur |
| T-D8800 | Finger |
| T-D9700 | Foot |
| T-12402 | Forearm bone |
| T-63000 | Gall bladder |
| T-D8700 | Hand |
| T-D1100 | Head |
| T-32000 | Heart |
| T-15710 | Hip joint |
| T-12410 | Humerus |
| T-D1213 | Jaw region |
| T-D9200 | Knee |
| T-59000 | Large intestine |
| T-24100 | Larynx |
| T-D9400 | Leg |

| | |
|---------|------------------------|
| T-11503 | Lumbar spine |
| T-11180 | Mandible |
| T-11133 | Mastoid bone |
| T-11170 | Maxilla |
| T-D3300 | Mediastinum |
| T-11149 | Nasal bone |
| T-D1600 | Neck |
| T-11102 | Optic canal |
| T-22000 | Paranasal sinus |
| T-61100 | Parotid gland |
| T-12730 | Patella |
| T-D6000 | Pelvis |
| T-59600 | Rectum |
| T-11300 | Rib |
| T-15680 | Sacroiliac joint |
| T-11AD0 | Sacrum |
| T-12280 | Scapula |
| T-D1460 | Sella turcica |
| T-12980 | Sesamoid bones of foot |
| T-D2220 | Shoulder |
| T-11100 | Skull |
| T-58000 | Small intestine |
| T-D0146 | Spine |
| T-15610 | Sternoclavicular joint |
| T-11210 | Sternum |
| T-57000 | Stomach |
| T-61300 | Submandibular gland |
| T-15770 | Tarsal joint |

| | |
|---------|----------------------------|
| T-15290 | Temporomandibular joint |
| T-11502 | Thoracic spine |
| T-D8810 | Thumb |
| T-D9800 | Toe |
| T-25000 | Trachea |
| T-70010 | Upper urinary tract |
| T-75000 | Urethra |
| T-88920 | Uterus and fallopian tubes |
| T-15460 | Wrist joint |
| T-11167 | Zygomatic arch |

Addendum B Input Field/DICOM Tag Cross Reference

Table [B.1](#) describes the DICOM Image attributes and Patient/Exam information flow through the product. The first column describes the Patient/Exam information fields supported by the DR products. The second column indicates the MWL IOD Attribute that the system will use to populate the field if a DICOM Work List SCP is present. The third column identifies the CR Image IOD Attribute containing the data in the system’s output and, if applicable, the TID Concept Name contained in the Dose Report.

Table B.1 Patient/Exam Input and MWL/CR Image Attributes Cross Reference

| User Interface Input field Label | Associated DICOM MWL IOD Element | Associated DICOM IOD Element/ TID Concept Name |
|---|---|---|
| Accession Number | Accession Number (0008,0050) | Accession Number (0008,0050) |
| Body Part | NA | Body Part Examined (0018,0015) |
| Cassette ID input via bar code scanner | NA | Plate ID (0018,1004) |
| Contrast Agent | Requested Contrast Agent (0032,1070) | Contrast/Bolus Agent (0018,0010) |
| Date Of Birth | Patient’s Birth Date (0010,0030) | Patient’s Birth Date (0010,0030) |
| Department Name | Requesting Service (0032,1033) | Institutional Department Name (0008,1040) |
| Entrance Dose May be received from X-ray interface depending on equipment or input via GUI. | NA | Entrance Dose (0040,0302) Entrance Dose in mGy (0040,8302) (113738, DCM, “Dose (RP)”)) |
| Gender | Patient Sex (0010,0040) | Patient Sex (0010,0040) |

| User Interface Input field Label | Associated DICOM MWL IOD Element | Associated DICOM IOD Element/ TID Concept Name |
|---|---|--|
| Image Area Dose May be received from X-ray interface depending on equipment or input via GUI. | NA | Image and Fluoroscopy Area Dose Product (0018,115E) (122130, DCM, "Dose Area Product") |
| Image Comments | NA | Image Comments (0020,4000) |
| kVp May be received from X-ray interface depending on equipment or input via GUI. | NA | kVp (0018,0060) (113733, DCM, "KVP") |
| Laterality | NA | Laterality (0020,0060) |
| Modality | Modality (0008,0060) | Modality (0008,0060) |
| Organ Dose May be received from X-ray interface depending on equipment or input via GUI. | NA | Organ Dose (0040,0316) (111636, DCM, "Entrance Exposure at RP") |
| Orientation | NA | Cassette Orientation (0018,1402) |
| Patient Age Read only value | Patient's age (0010,1010) | Patient's age (0010,1010) |
| Patient Comments | NA | Patient Comments (0010,4000) |
| Patient First Name | Patient's Name (0010,0010) | Patient's Name (0010,0010) |
| Patient Last Name | | |
| Patient Middle Name | | |
| Patient Location | Patient's Institution Residence (0038,0400) | Patient's Institution Residence (0038,0400) |
| Patient Position | NA | NA |
| Priority | Requested Procedure Priority (0040,1003) | N/A |
| Study Date & Time Read only value | Initial Value: Scheduled Procedure Step Start Date (0040,0002) Scheduled Procedure Step Start Time (0040,0003) These values will be updated to the time/date that the technologist began the first procedure step for a study. | Study Date (0008,0020) Study Time (0008,0030) Performed Procedure Step Start Date (0040,0244) Performed Procedure Step Start Time (0040,0245) |

| User Interface Input field Label | Associated DICOM MWL IOD Element | Associated DICOM IOD Element/ TID Concept Name |
|-------------------------------------|--|---|
| Tech ID | NA | Operator's Name (0008,1070) (121008,DCM, "Person Observer Name") |
| Patient ID | Patient ID (0010,0020) | Patient ID (0010,0020) |
| Procedure Code | Requested Procedure ID (0040,1001) or Requested Procedure Code Sequence (0032,1064) > code value (0008,0100) or Scheduled Protocol Code Sequence (0040,0008) > code Value (0008,0100) | Procedure Code Sequence (0008,1032) > code value (0008,0100) |
| Procedure ID | Requested Procedure ID (0040,1001) | Requested Procedure ID (0040,1001) |

| User Interface Input field Label | Associated DICOM MWL IOD Element | Associated DICOM IOD Element/ TID Concept Name |
|--|---|--|
| Procedure Name | <p>Requested Procedure Description (0032,1060) will be used if Requested Procedure ID or Requested Procedure Code Sequence (0032,1064) > code value is used to populate the Procedure code field</p> <p>or</p> <p>Scheduled Procedure Step Sequence (0040,0100) > Scheduled Protocol Code Sequence (0040,0008) > Code Meaning (0008,0104) will be used if Scheduled Protocol Code Sequence > code Value is used to populate Procedure Code field)</p> <p>if the above fields are blank, the first non-blank field in the following list will be used.</p> <p>Requested Procedure Description (0032,1060)</p> <p>or</p> <p>Scheduled Procedure Step Sequence (0040,100) > Scheduled Procedure Step Description (0040,0007)</p> <p>or</p> <p>Procedure Code Sequence (0008,1032) > code value (0008,0100)</p> | Procedure Code Sequence (0008,1032) > code meaning (0008,0104) |
| Procedure Step Description | Scheduled Procedure Step Sequence (0040,0100) > Scheduled Procedure Step Description (0040,0007) | <p>Request Attributes Sequence (0040,0275) > Scheduled Procedure Step Description (0040,0007)</p> <p>If the Procedure Step Description field is modified by the user the changes will be stored in:</p> <p>Performed Procedure Step Description (0040,0254)</p> |
| Referring Physician | Referring Physician's Name (0008,0090) | Referring Physician's Name (0008,0090) |
| Requested Procedure Description | Requested Procedure Description (0032,1060) | Study Description (0008,1030) |
| Source to Image (cm) | NA | <p>Distance Source to Detector (SID) (0018,1110)</p> <p>* value converted to mm</p> |

| User Interface Input field Label | Associated DICOM MWL IOD Element | Associated DICOM IOD Element/ TID Concept Name |
|-------------------------------------|--|--|
| Source to Patient (cm) | NA | Distance Source to Patient (SOD) (0018,1111) * value converted to mm |
| Study Date | Initial Value: Scheduled Procedure Step Start Date (0040,0002) Scheduled Procedure Step Start Time (0040,0003) These values will be updated to the time/date that the technologist began the first procedure step for a study. | Study Date (0008,0020) Study Time (0008,0030) |
| View Name | NA | NA |
| View Position | NA | View Position (0018,5101) |