

KODAK INDUSTREX Processor Models M35 and M35-A



INDUSTRIAL IMAGING

PLEASE NOTE

The information contained herein is based on the experience and knowledge relating to the subject matter gained by Eastman Kodak Company prior to publication.

No patent license is granted by this information.

Eastman Kodak Company reserves the right to change this information without notice, and makes no warranty, express or implied, with respect to this information. Kodak shall not be liable for any loss or damage, including consequential or special damages, resulting from the use of this information, even if loss or damage is caused by Kodak's negligence or other fault.

CAUTION



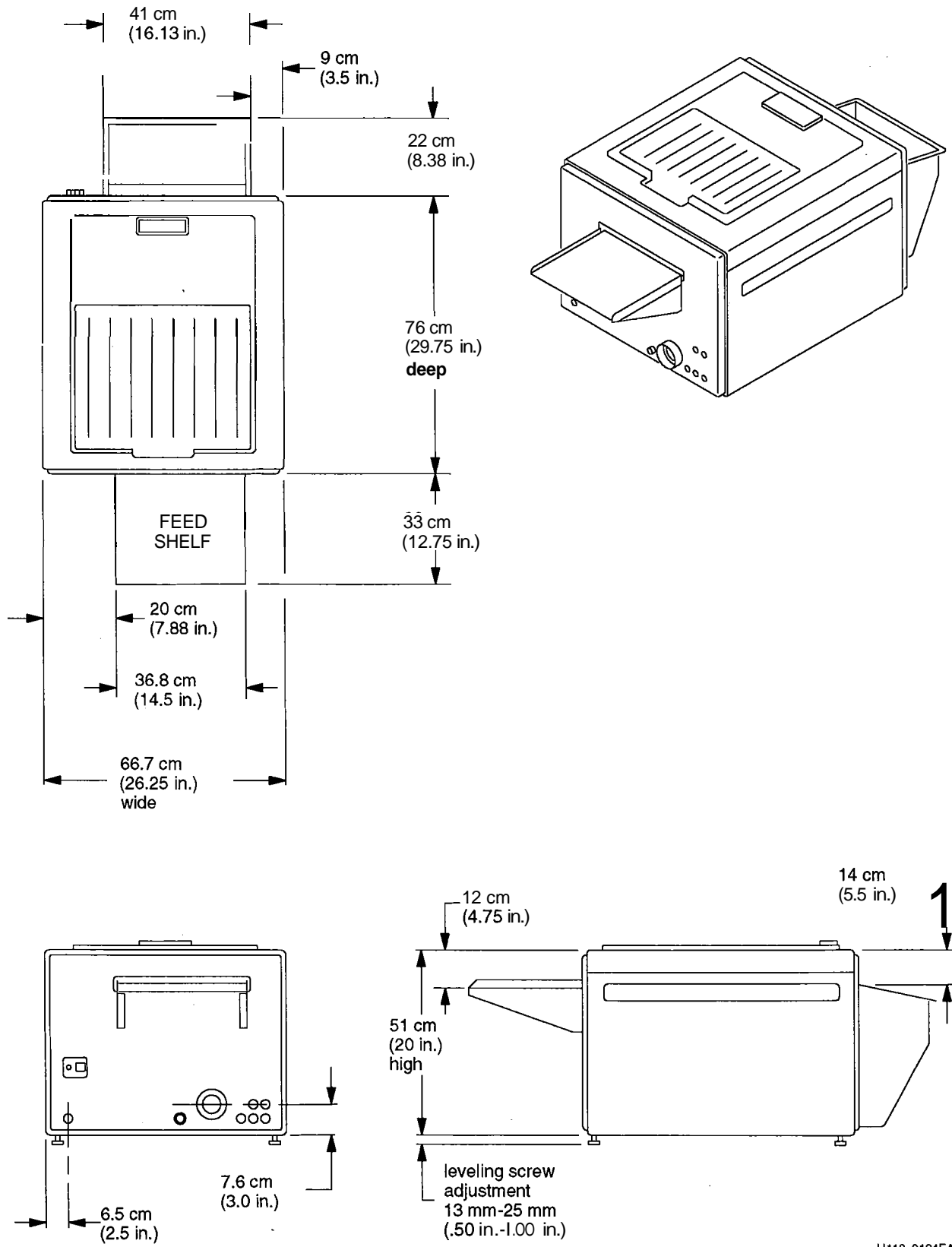
This equipment includes parts and assemblies sensitive to damage from electrostatic discharge. Use caution to prevent damage during all service procedures.

WARNING

To avoid hazardous conditions, keep floors and floor coverings around your *Kodak Industrex* Processor and associated drains clean and dry at all times. Any accumulation of fluids from mixing tanks, drain lines, etc, should be cleaned up immediately. In the event of an accumulation of liquid due to backup, overflow, or other malfunctions of the drain associated with your *Kodak Industrex* Processor, call a plumber or other contractor to correct any problem with the drain. Kodak accepts no responsibility or liability whatsoever for the serviceability of any drain connected to or associated with a *Kodak Industrex* Processor. Such drains are the sole responsibility of the customer.

Table of Contents

Description	Page
Items Required for Installation. But Not Supplied	4
Dimensions and Weight	4
Optional Accessories	6
Lighttight Feed Tray	6
Silver Recovery System.....	6
Processor Stand	7
Room Layout	8
Clearances.....	8
Replenishment Tanks	12
Automixer	13
Electrical	14
Agency Listings.....	14
Radio Interference.....	14
<i>Industrex</i> Processor. Model M35-A. Basic Requirements.....	14
<i>Industrex</i> Processor. Model M35. Basic Requirements.....	15
Main Power Disconnect.....	16
Water	17
Processor Supply.....	17
Drain.....	17
Optional Parts Available	18
Environmental Requirements	19
Room Temperature.....	19
Humidity	19
Air and Heat.....	19
Static Pressure Requirements.....	19
Seismic Kit	22
Center of Gravity.....	23
Related Publications	24



H112_0194EA

Figure 1 Processor Dimensions

Processor Stand

Use a rigid stand that can support a minimum of 225 kg (500 pounds) with the **Kodak Industrex Processor**, Models M35 and M35-A, such as the **Kodak M35 X-Omat Mounting Stand**, CAT No. 808 1176.

For maximum processor stability, it is recommended that the processor be bolted to the stand. The stand should then be leveled and fastened to the floor. Observe all local codes. **Kodak Developer-Fixer Replenisher Tank Set**, Model M7, CAT No. 150 0537, can be stored in the base of the stand.

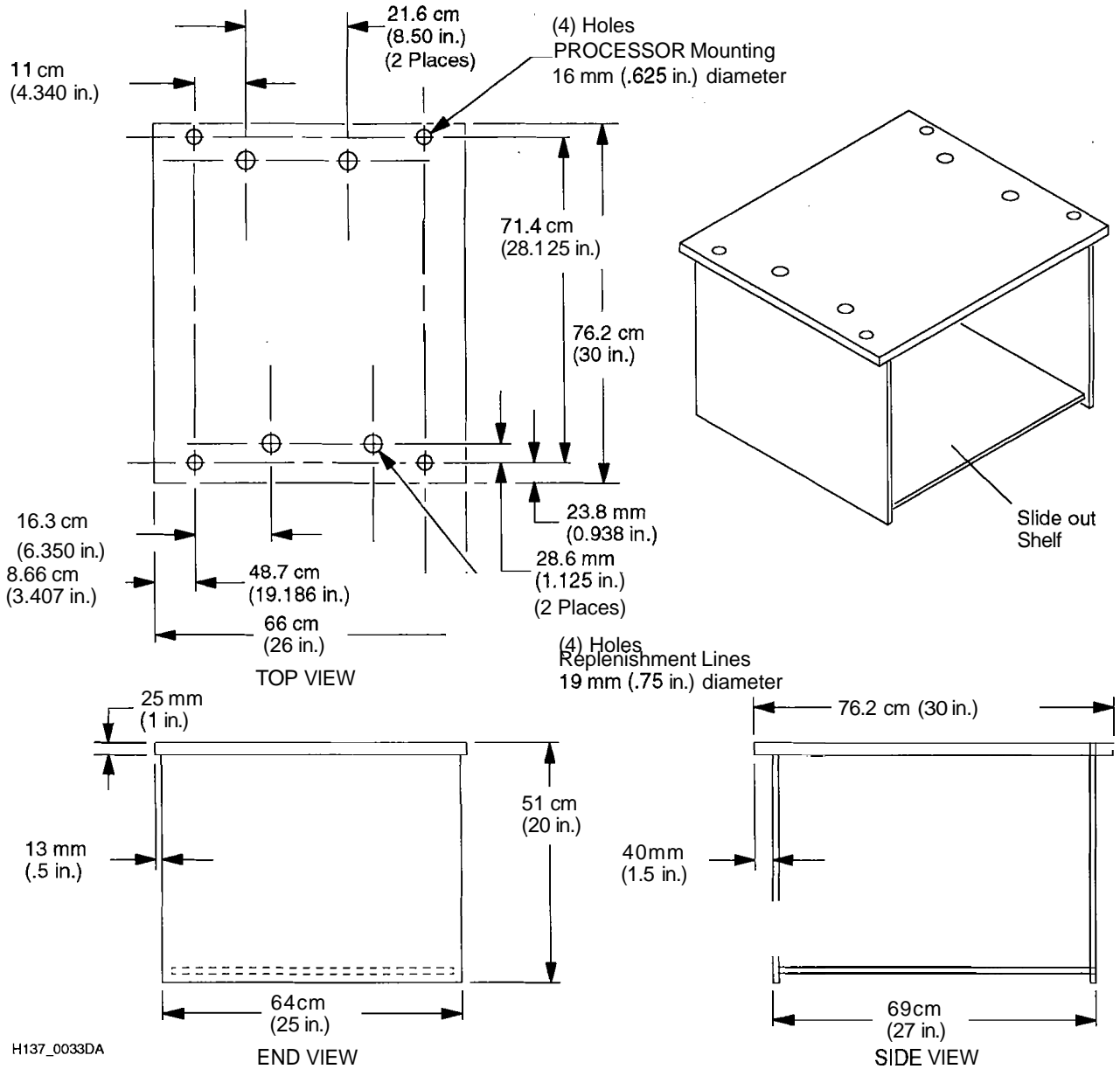


Figure 4 Dimensions of the Optional Stand

Room Layout

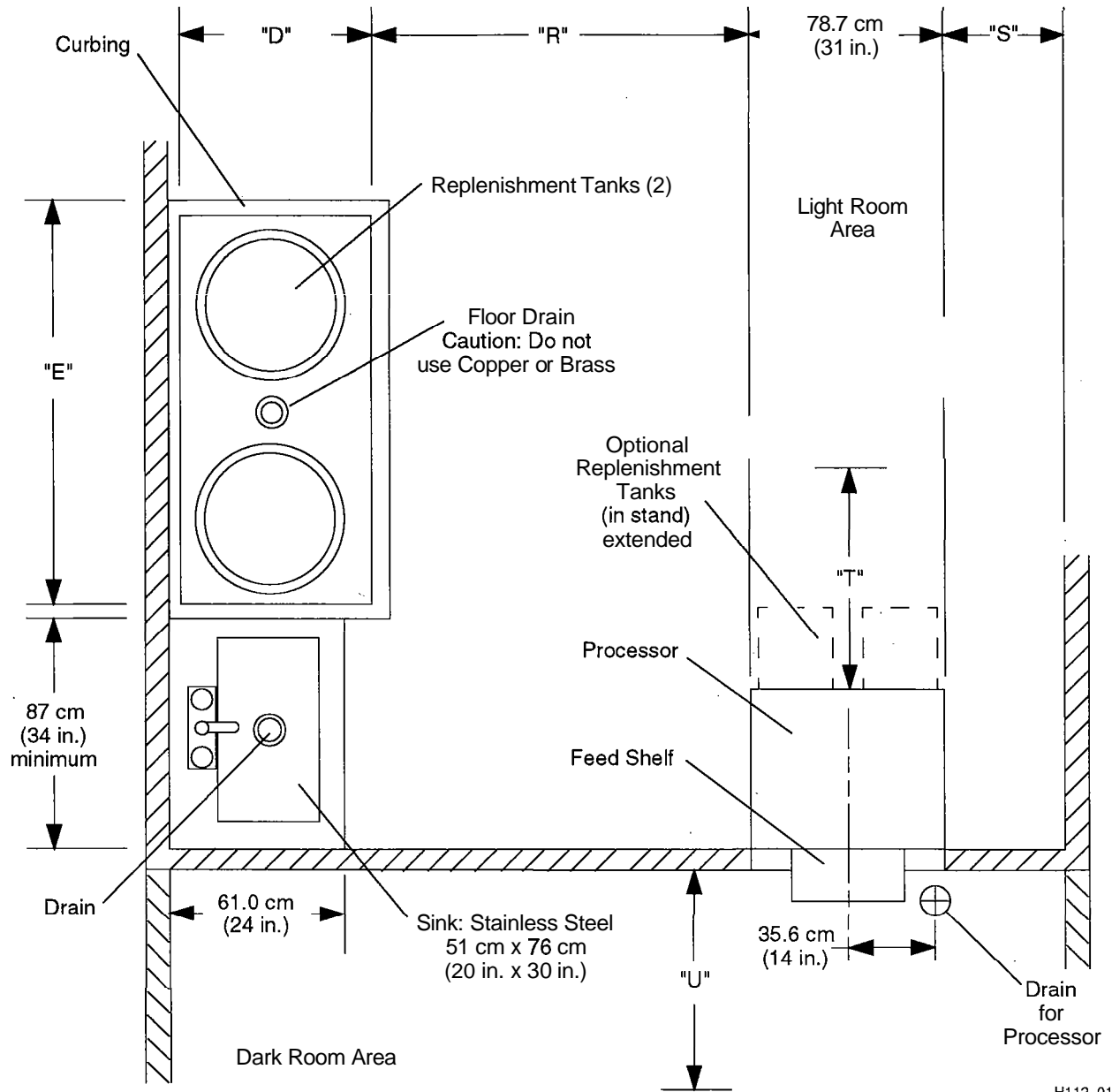
Clearances

Table 2 Maintenance and Operation Access Requirements

Symbol (See Figure 5)	Description	Recommended Minimum Distances
R	Drive side of processor	91 cm (36 in.)
S	Non-drive side of processor	91 cm (36 in.)
T	Dryer side of processor	91 cm (36 in.)
U	Feed end of processor	91 cm (36 in.)
	Top side of processor	91 cm (36 in.)

IMPORTANT

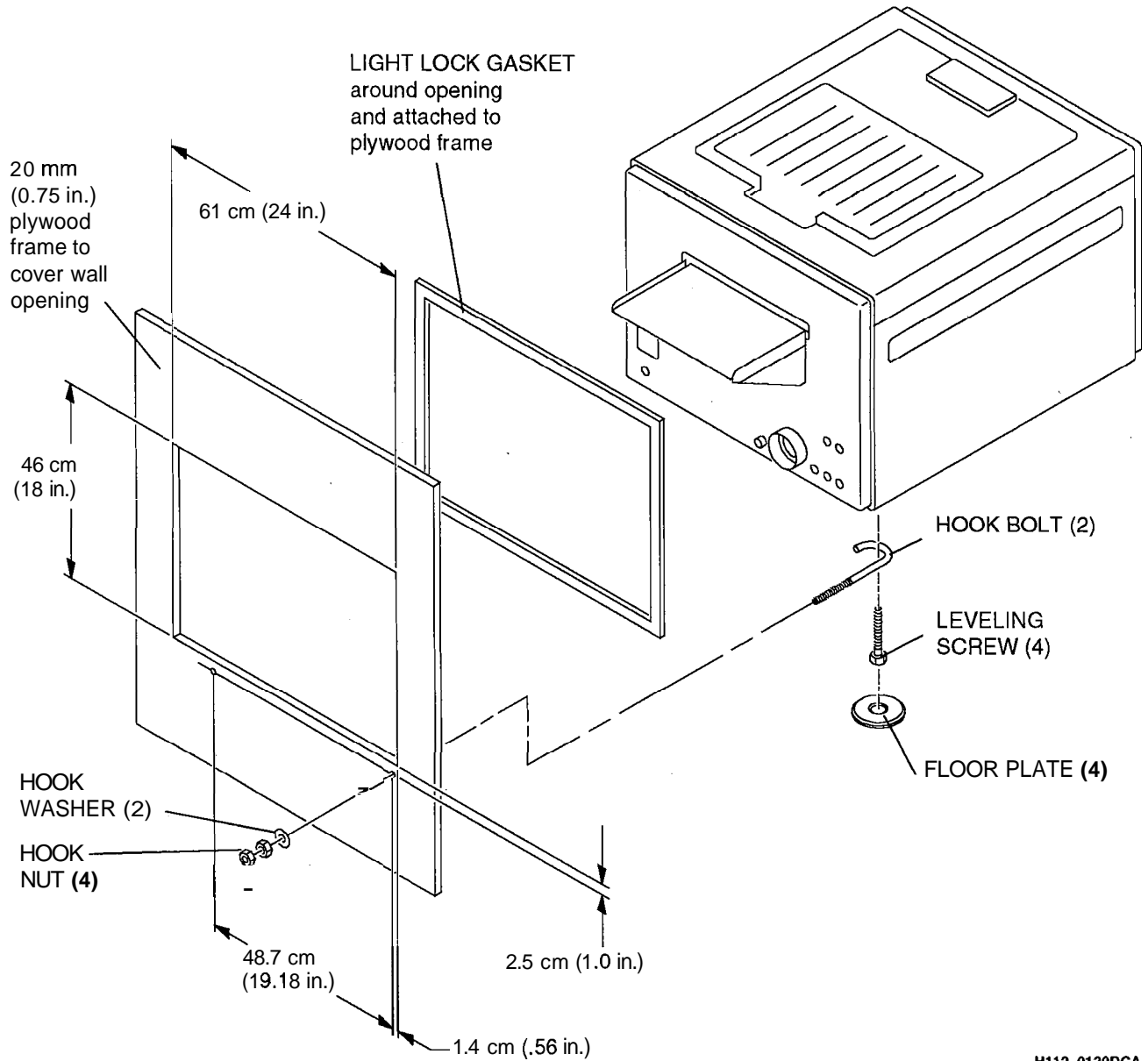
Service time — and therefore service cost — may be increased if recommended access requirements are not met.



**Figure 5 Suggested Room Layout and Drain Locations
(not drawn to scale)**

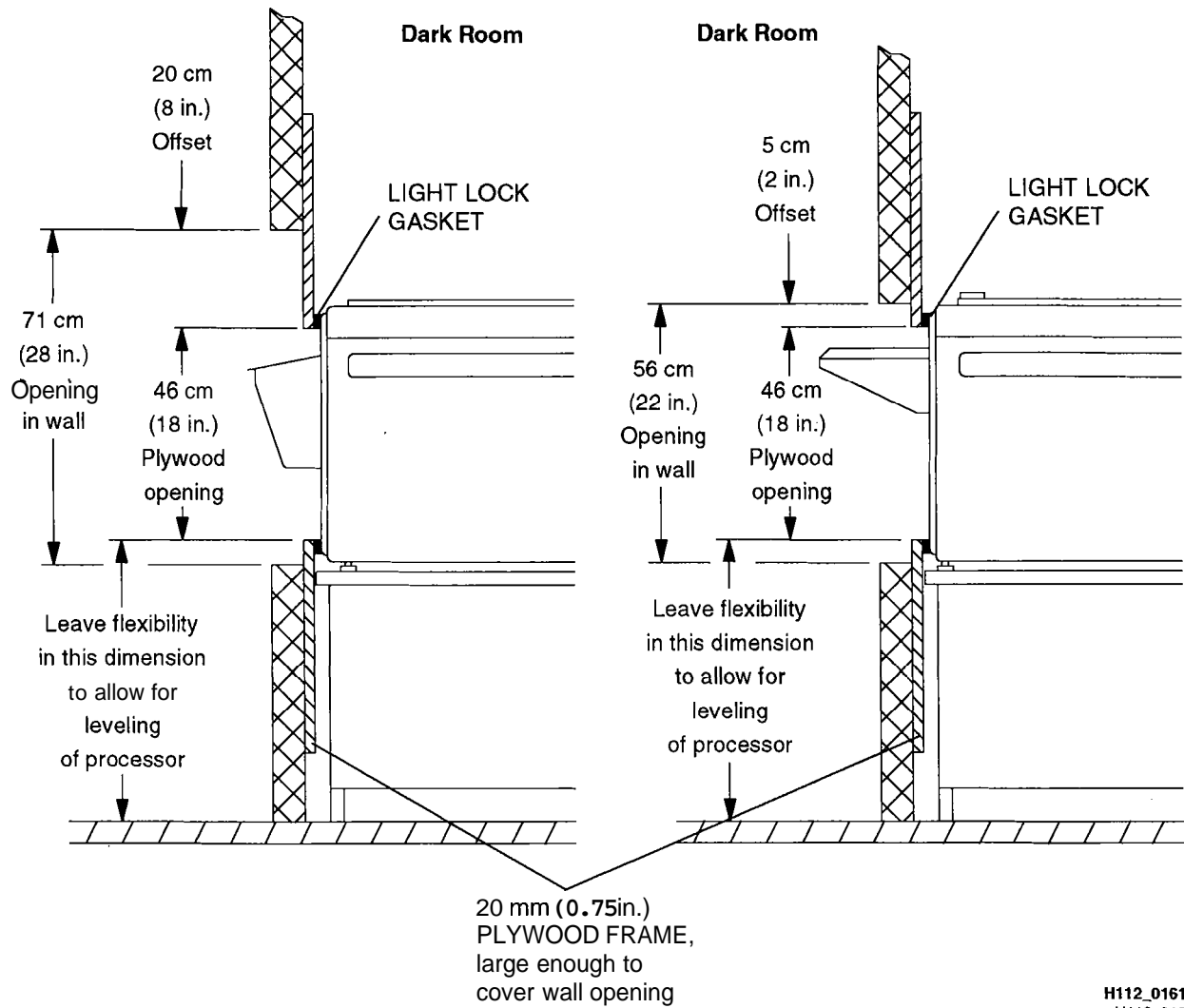
NOTE

For dimensions "R", "S", "T", and "U", see Table 2 on page 8. For "D" and "E", see the table on the top of page 12.



H112_0130DCA
H112_0130DA

Figure 6 New Wall Installation, Materials Needed



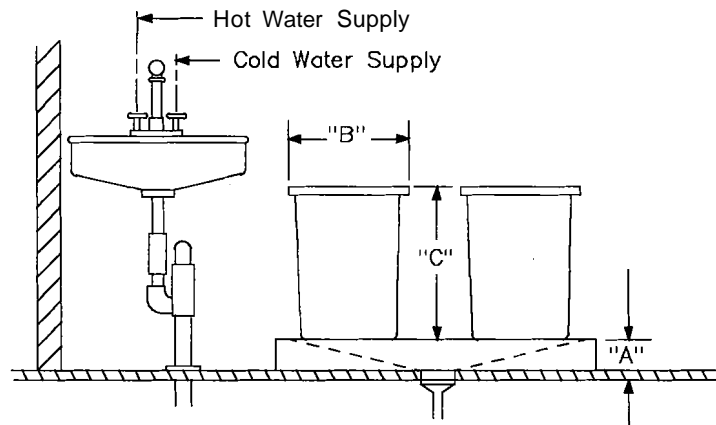
H112_0161DCA
H112_0161DA

Figure 7 Wall Installation, with either the Receiving Bin or the Feed Shelf through the Wall

Replenishment Tanks

Table 3 Dimensional Requirements for the Replenishment Tanks

Description	Dimension	Replenishment Tank Size		
		8 Gallon	14 Gallon	30 Gallon
External Replenishment Tank Area See Figure 5	"D" x "E" Minimum	--	61 x 127 cm (24 x 50 in.)	61 x 153 cm (24 x 60 in.)
Max. Platform Height	"A"		48 cm (19 in.)	35 cm (14 in.)
Tank Diameter	"B"	29 x 43 cm (12 x 17 in.)	43 cm (17 in.)	56 cm (22 in.)
Tank Height	"C"	32 cm (12.5 in.)	58 cm (23 in.)	70.5 cm (27.75 in.)

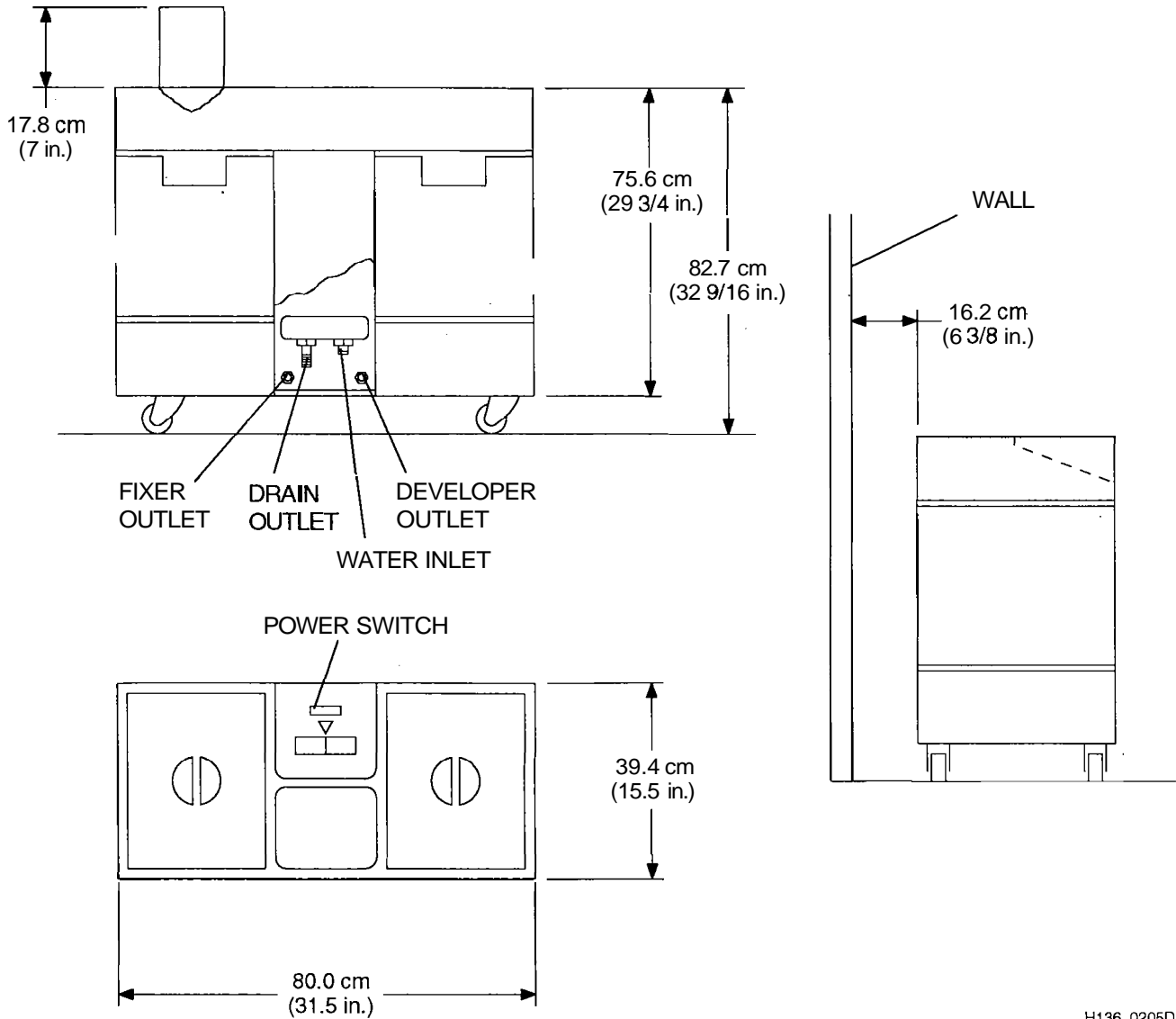


P104_0002BA

Figure 8 Replenishment Tank Dimensions and Catalog Numbers

Tank Kit	Replenishment Tank Size		
	8 Gallon	14 Gallon	30 Gallon
KODAK Developer Replenisher Tank Kit	--	151 1740	1022987
KODAK Fixer Replenisher Tank Kit	--	151 1765	102 2961
KODAK Developer-Fixer Replenisher Tank Set, Model M7 -- Can be used with the optional Mounting Stand, CAT No. 808 1176.	150 0537	--	--

Automixer



H136_0205DCA
H136_0205DA

Figure 9 Automixer Dimensions and Catalog Number

<i>Kodak Automixer II*</i>	CAT No. 707 5286
----------------------------	------------------

* This product has been discontinued.

In Europe: The KODAK Automixer II Plus (CAT 715 7050) provides fast, accurate, consistent, "no mess" mixing of 40 (factory setting) or 20 litre volumes. Concentrate insertion guides minimize human error. The concentrate bottles' safety seals and the use of the Automixer eliminate any contact with the chemicals.

In the US: Automixers with templates specific to Kodak chemicals are available from White Mountain Imaging (www.whitemountainimaging.com/ischemix.htm). Their IS-199 Chemical Mixer is available in 7.5 and 12.5-gallon capacities.

Electrical

Agency Listings

The processor has the following Agency listings—

- * UL Listed (#122, 5th edition)
 - CSA Certified (C22.2, #950-M)
 - FCC Approved (Part 15 Class A limits)
-

Radio Interference

These processors have been type tested and found to comply with:

- The limits of a Class A digital device pursuant to Part 15, Subpart J, of the Federal Communications Commission Rule of the United States
- The limits of a Class A digital apparatus as set out in the Radio Interference Regulations C108.8-M1983 of Canada
- The requirements for electrical appliances as established by European Communities Council Directive 87/308/EEC (EN55014:1987/A2:1990) and EN 55022



CAUTION

This equipment generates, uses, and can radiate radio-frequency energy. If the equipment is not installed and used according to the instructions, it may cause interference to radio communications. The equipment has been tested and found to comply with the limits for a Class A computing device pursuant to Subpart J of Part 15 of the FCC Rules, which are designed to provide reasonable protection against such interference when the equipment is operated in a commercial environment. Operation of this equipment in a residential area is likely to cause interference, in which case the user at the user's own expense will be required to take whatever measures may be required to correct the interference.

This digital apparatus does not exceed the Class A limits for radio noise emissions from digital apparatus set out in the Radio Interference Regulations of the Canadian Department of Communications.

Industrex Processor, Model M35-A, Basic Requirements

- Amperage: 20 A
- Earth ground
- A line cord and receptacle, furnished
- Main power disconnect, wall mounted, not furnished
The switch, either a single-pole, thermomagnetic circuit breaker with a solid neutral **or** a fused disconnect switch, **must be:**
 - located on a wall adjacent to the processor
 - easily accessible from the processor
 - visible from the processor
 - not more than 2 metres (7 feet) from the processor

IMPORTANT

All electrical services, *including earth ground*, must comply with local and national electrical codes.

Table 4 Model M35-A Service Options

Voltage (volts)	Frequency (Hz)	Watts	Service
120	50/60	2000	1-phase, 2-wire and earth ground

**Industrex Processor,
Model M35, Basic
Requirements**

- Amperage: 20 A
- Earth ground
- Main power disconnect, wall mounted, not furnished
The switch, either a fused disconnect switch or a 2-pole, thermomagnetic circuit breaker with a solid neutral and a common trip, must be:
 - located on a wall adjacent to the processor
 - easily accessible from the processor
 - visible from the processor
 - not more than 2 metres (7 feet) from the processor

IMPORTANT

All electrical services, *including earth ground*, must comply with local and national electrical codes.

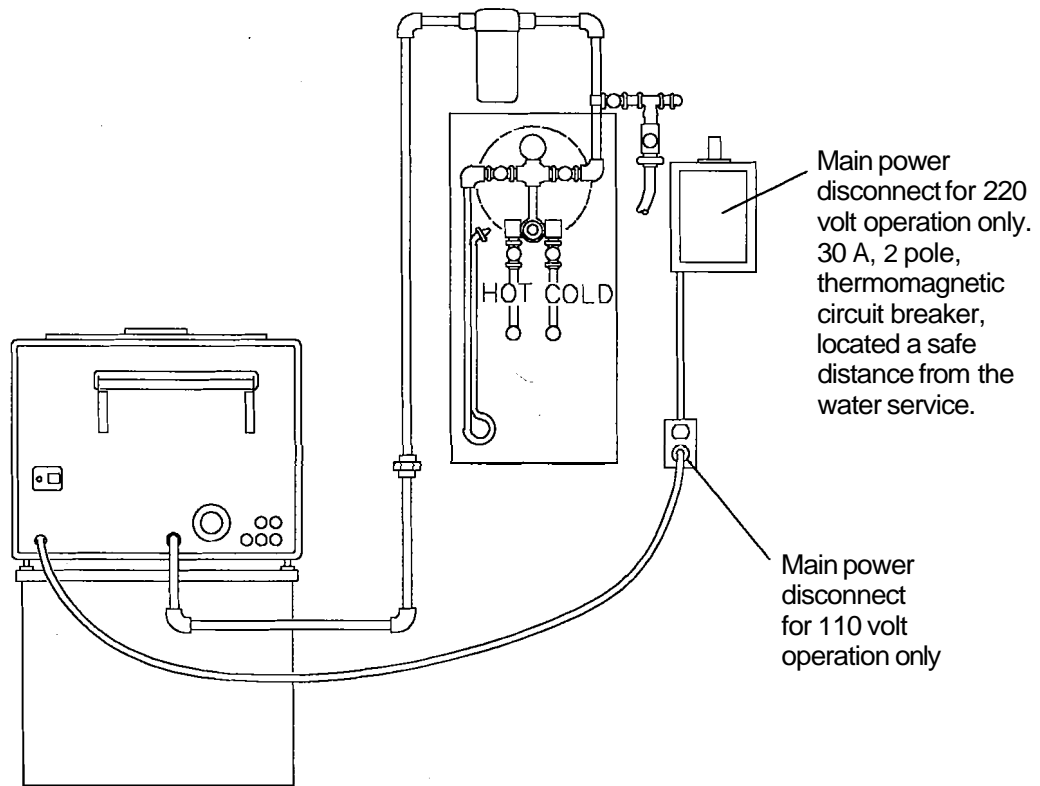
Table 5 Model M35 Service Options

Voltage (volts)	Frequency (Hz)	Watts	Service
200	50/60	3000	1-phase, 2-wire and earth ground
208	50/60	3000	1-phase, 2-wire and earth ground
220	50/60	3300	1-phase, 2-wire and earth ground
240	50/60	3300	1-phase, 2-wire and earth ground
220	50/60	3300	2-phase, 3-wire and earth ground
240	50/60	3800	2-phase, 3-wire and earth ground

Main Power Disconnect

A wall mounted main power disconnect switch, which is not furnished, is shown in Figure 10. This switch should consist of a thermomagnetic circuit breaker with solid neutral and common trip **or** a fused disconnect switch and **must be—**

- located on a wall adjacent to the processor in the lighted area
- visible and accessible from the site of the processor
- a safe distance from water
- a maximum of 2 metres-(7 feet) from the processor



H112_0138DCB
H112_0138DA

Figure 10 Locating the Main Power Disconnect

Environmental Requirements

Room Temperature	15°C (59°F) to 30°C (86°F)	
Humidity	15% to 76% Relative Humidity	
Air and Heat	Air Exhaust (full load):	Volume: 2,124 L/min (75 ft ³ /min) • Temperature: 66°C (150°F) maximum
	Processor Exhaust Adapter:	7.6 cm (3 in.)
	Heat load to room:	3400 kJ/hr (3200 Btu/hr)

Static Pressure Requirements

IMPORTANT

- If the venting is not correct, fumes will corrode the equipment. Do not install the processor or accessories if the venting is not correct. Check local codes for venting requirements.
- The air flow is correct when the fumes are flowing out of the processor through the Exhaust Hose. **Before installing the processor, or when checking the static pressure later, do the following procedure to check at the air flow is correct.**

Do the following procedure, using an Air Meter TL-2431, to check that the venting is correct.

- [1] If the processor is installed, deenergize the processor.
- [2] Disconnect the Exhaust Hose from the processor Exhaust Adapter.
- [3] Place the Rubber Hose on the Center Connector of the Air Meter.
- [4] If a replenishment J Tube TL-4803 is available, do the following. If not, advance to step 5.
 - (a) Cut off and discard the curved portion of the replenishment J Tube.
 - (b) Install the tapered end of the replenishment J Tube into the Rubber Hose.
 - (c) Advance to step 7.
- [5] If a replenishment J Tube is not available, align a Hose Support, such as a straightened coat hanger, next to the Rubber Hose. The ends of the Hose Support and the Rubber Hose must be together.
- [6] Place tape around the Hose Support and the Rubber Hose at 3 points. See the illustration.

IMPORTANT

The tape should not inhibit the air flow through the Rubber Hose.

- [7] Insert the replenishment J Tube or the Rubber Hose into the Exhaust Hose until the end is 30 cm (12 in.) from the end of the Exhaust Hose.

IMPORTANT

The Rubber Hose or J Tube must be in the center of the Exhaust Duct.

- [8] Hold the Air Meter vertical, and record the average of several readings.

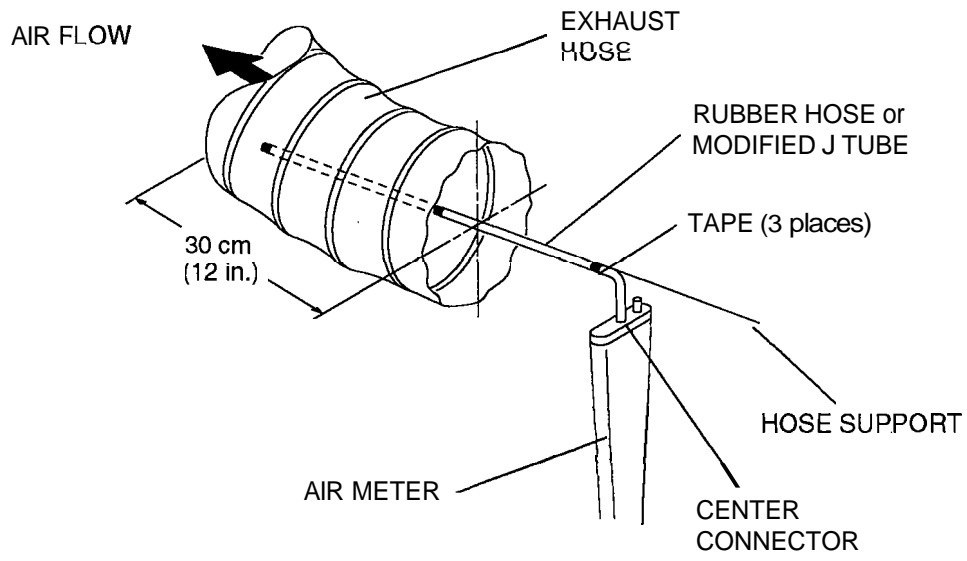


Figure 12 Using the Air Meter

[9] Compare the average reading with the table:

Table 6 Measuring the Static Pressure

Duct Diameter	Negative Static Pressure, Water Head	
	MIN	MAX
76 mm (3 in.)	0.76 mm (0.03 in.)	1.02 mm (0.04 in.)
102 mm (4 in.)	0.25 mm (0.01 in.)	0.51 mm (0.02 in.)

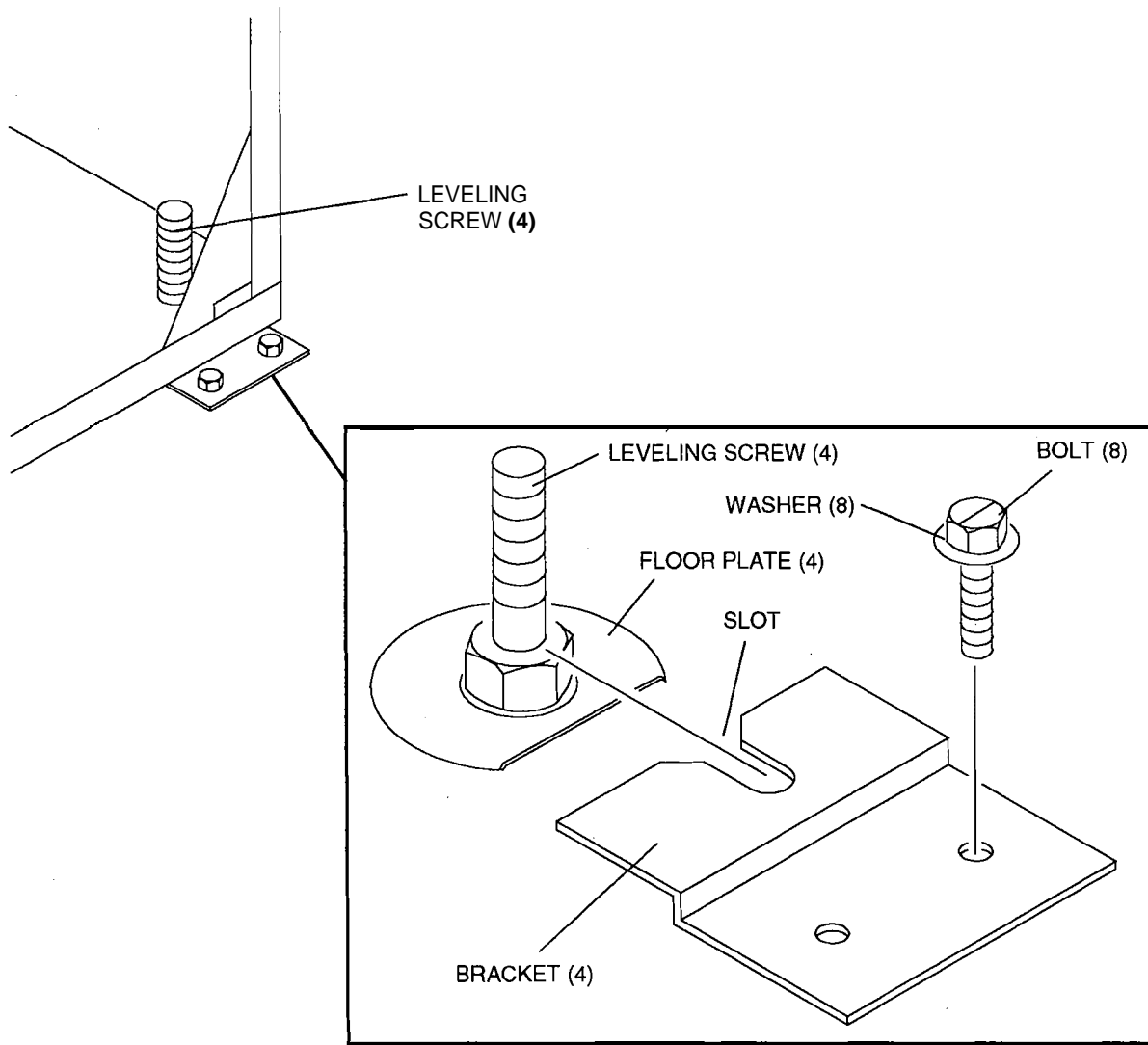
[10] Adjust one of the following to obtain the required reading:

- (a) the damper (or fan) in the building ventilation system or
- (b) the clearance between the Exhaust Duct and the Exhaust Hose to 5 cm (2 in.); see Figure 13.

Seismic Kit

Local building codes may require that Seismic Brackets be used. Install the Seismic Brackets to the processor or to the M35 Mounting Stand. **Seismic Kit, Part No. 261413**, is available.

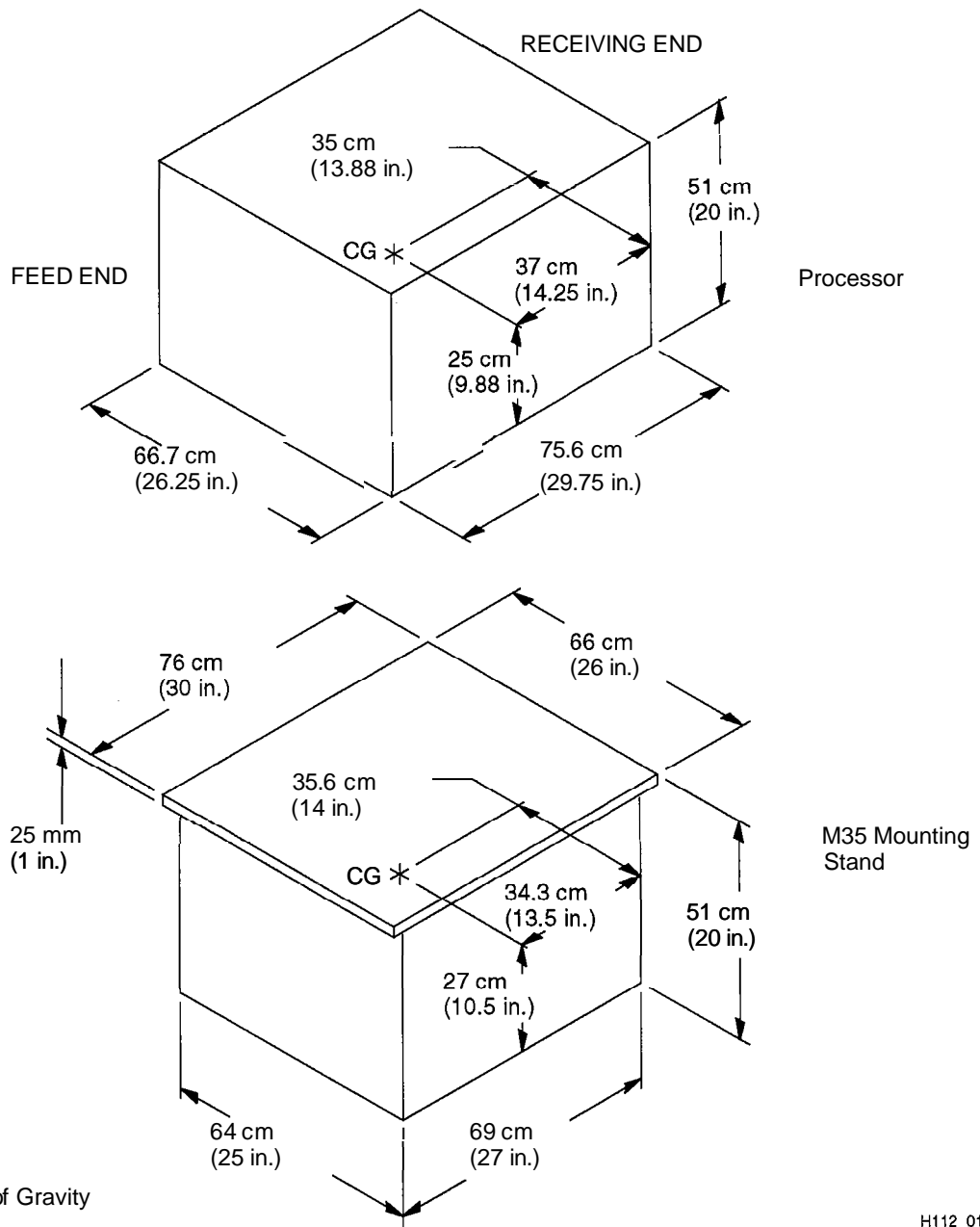
Part No.	Description	Quantity
240104	Bracket	4
261898	Floor Plate	4
261929	Anchor, not shown	8
188623	Bolt - Stainless Steel	8
173824	Washer - Stainless Steel	8
261910	Instructions	1



P108_0193DCA
P108_0193DA

Figure 14 Seismic Kit

Center of Gravity



H112_0139DA

Figure 15 Center of Gravity

BLANK PAGE

Printing and Publishing Imaging
EASTMAN KODAK COMPANY
Rochester, New York 14650

Kodak, Industrex and X-Omat are trademarks.

Printed on recycled paper containing 10% post-consumer waste fiber, using soybean-based inks.

Your competitive advantage

