

Summary Sheet | CARESTREAM Touch Ultrasound Systems | 6C2 Transducer



Figure 1: 6C2 Transducer

Frequency Range

- 2-6 MHz

Uses

- General abdominal imaging
- OB/GYN imaging
- Interventional procedures
- Tissue Harmonic imaging
- Musculoskeletal imaging
- Pelvic imaging
- Contrast imaging¹

Benefits

- Integrated one-touch Smart Select transducer activation and programmable mode select button.
- Broad bandwidth gives excellent image quality
- Fine pitch gives high contrast resolution

¹ In the USA, contrast-enhanced ultrasound has not been market-cleared by the FDA, with the exception of only select cardiac and liver imaging applications.

- Deep penetration for clear abdominal images
- Ergonomic design makes it comfortable to hold
- Easy-to-use single-use needle guides for quick, reliable puncture and biopsy procedures
- Compatible with modern reprocessing methods

Needle Guidance

- Carestream offers the Ultra-Pro, in-plane Ultrasound Needle Guide starter kit CAT 1740026, which includes a reusable (plastic) bracket and Single-use puncture attachment kit from CIVCO. Additional Single-use consumables can be sourced directly from CIVCO. 1740026 has a variable diameter accepting a range of sizes including 8.5 Fr, 14-23 GA (19 GA not included). The needle may be positioned at a fixed angle of 18° or 36.5° to the image axis.
- The sterile procedure kit includes a reusable bracket, disposable Ultra-Pro II needle guide, transducer cover, gel packet and colored elastic bands.

Cleaning, Disinfecting and Sterilizing

6C2 can be reprocessed using methods listed under *Specifications*.

- 6C2 can be supplied with an optional watertight plug lid that fits over the connector plug to protect it during reprocessing procedures (including washing) that involve liquids. When the lid is attached, the transducers can be fully immersed. The lid must not be attached when gas processing methods are used.

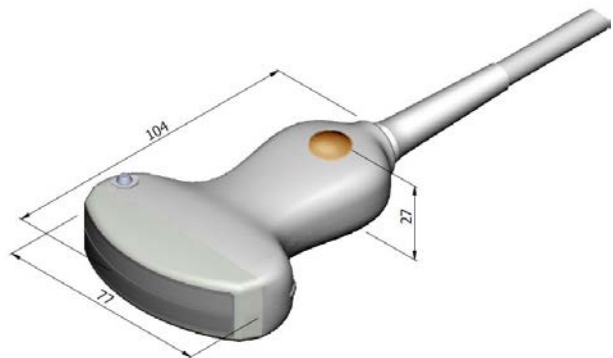


Figure 2: Dimensions (mm)