



Figure 1: 18L5s Transducer

Frequency Range

- 5-18 MHz

Uses

- Intraoperative imaging
- Peripheral vessel imaging
- Musculoskeletal (conventional/superficial) imaging
- Small organ (small part) imaging
- Interventional procedures

Benefits

- Integrated one-touch Smart Select transducer activation and programmable mode select button
- Unique small, flexible tip gives easy access in hard to reach areas
- 15 MHz imaging frequency for very high resolution in the extreme near field
- Uniquely designed puncture guide facilitates interventional procedures in difficult to access areas
- Very high Doppler sensitivity gives excellent visualization of blood flow
- Compatible with modern reprocessing methods

Cleaning, Disinfecting and Sterilizing

18L5s can be reprocessed using methods listed under *Specifications*.

18L5s can be supplied with an optional watertight plug lid that fits over the connector plug to protect it during reprocessing procedures (including washing) that involve liquids. When the lid is attached, the transducers can be fully immersed. The lid must not be attached when gas processing methods are used.

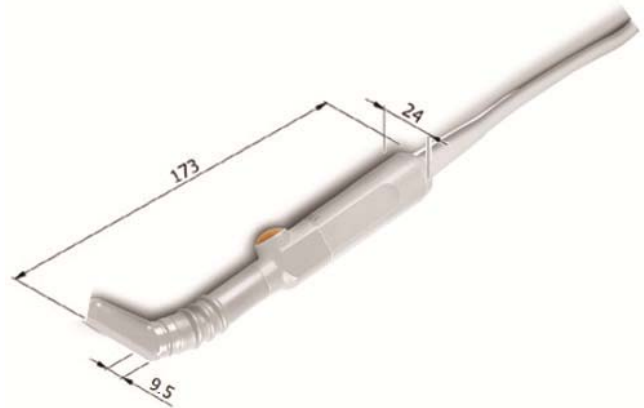


Figure 2: Dimensions (mm)