

Summary Sheet | CARESTREAM Touch Ultrasound Systems | 18L5 Transducer



Figure 1: 18L5 Transducer

Frequency Range

- 5-18 MHz

Uses

- Musculoskeletal imaging
- Peripheral Vessel (Peripheral Vascular) imaging
- Small Organ (Small Parts)
- Interventional procedures
- Doppler examinations
- Regional anesthesia imaging
- Elastography

Benefits

- Integrated one-touch Smart Select transducer activation and programmable mode select button
- Broad bandwidth gives excellent image quality in the entire image
- High frequency gives superb near-field images with many details
- Fine pitch gives high contrast resolution
- High Doppler sensitivity, including steerable Doppler
- Easy-to-use needle guide for quick, reliable puncture and biopsy procedures

- Compatible with modern reprocessing methods

Cleaning, Disinfecting and Sterilizing

18L5 can be reprocessed using methods listed under *Specifications*.

- 18L5 can be supplied with an optional watertight plug lid that fits over the connector plug to protect it during reprocessing procedures (including washing) that involve liquids. When the lid is attached, the transducers can be fully immersed. The lid must not be attached when gas processing methods are used.

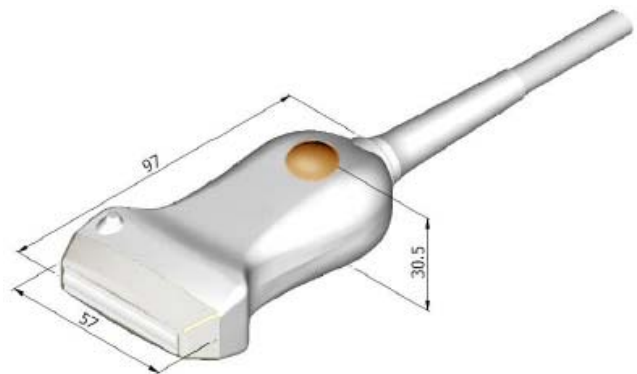


Figure 2: Dimensions (mm)