

Summary Sheet | CARESTREAM Touch Ultrasound Systems | 9C2 Transducer



Figure 1: 9C2 Transducer

Frequency Range

- 2-9 MHz

Uses

- Abdominal imaging
- OB/GYN imaging
- Musculoskeletal imaging
- Interventional procedures
- Peripheral vessel (vascular) imaging
- Pediatric imaging
- Elastography

Benefits

- Integrated one-touch Smart Select transducer activation and programmable mode select button
- Broad bandwidth gives excellent image quality
- Fine pitch gives high contrast resolution
- Deep penetration for clear abdominal images
- Ergonomic design makes it comfortable to hold
- Easy-to-use needle guide for quick, reliable puncture and biopsy procedures
- Built-in control button gives complete control
- Compatible with modern reprocessing methods

Cleaning, Disinfecting and Sterilizing

9C2 can be reprocessed using methods listed under *Specifications*.

- 9C2 can be supplied with an optional watertight plug lid that fits over the connector plug to protect it during reprocessing procedures (including washing) that involve liquids. When the lid is attached, the transducers can be fully immersed. The lid must not be attached when gas processing methods are used.

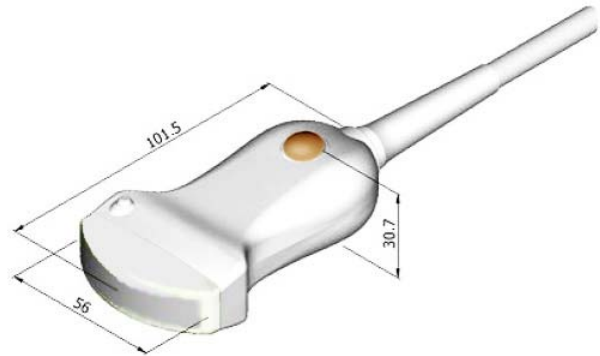


Figure 2: Dimensions (mm)