

Summary Sheet | CARESTREAM Touch Ultrasound Systems | E10C4 Transducer



Figure 1: E10C4 Transducer

Frequency Range

- 4-10 MHz

Uses

- Endovaginal imaging
- Transrectal imaging
- Spectral and CFM Doppler examinations
- OB/GYN imaging
- Elastography

Benefits

- Superior resolution
- Multifrequency imaging
- Ergonomic design for easier imaging and greater operator comfort
- Sleek design of the transducer minimizes patient discomfort
- Needle guide for puncture and biopsy (reusable and single-use)

Needle Guidance

- Carestream offers a disposable Ultra-Pro, in-plane Ultrasound Needle Guide starter kit CAT 1740018 from CIVCO. Additional Single-use consumables can be sourced directly from CIVCO. 1740018 features large funnel for easy instrument insertion and accepts a range of sizes including 8.5 Fr, 14-23 GA (19 GA not available). The insertion angle is 0.9° with respect to the long axis of the transducer. 1740018 clicks easily and securely into place on the transducer.
- The sterile procedure kit contains disposable Ultra-Pro II needle guide, transducer cover, gel packet and colored elastic bands.

Cleaning, Disinfecting and Sterilizing

E10C4 can be reprocessed using methods listed under *Specifications*.

- E10C4 can be supplied with an optional watertight plug lid that fits over the connector plug to protect it during reprocessing procedures (including washing) that involve liquids. When the lid is attached, the transducers can be fully immersed. The lid must not be attached when gas processing methods are used.
- Sterile transducer covers are available.

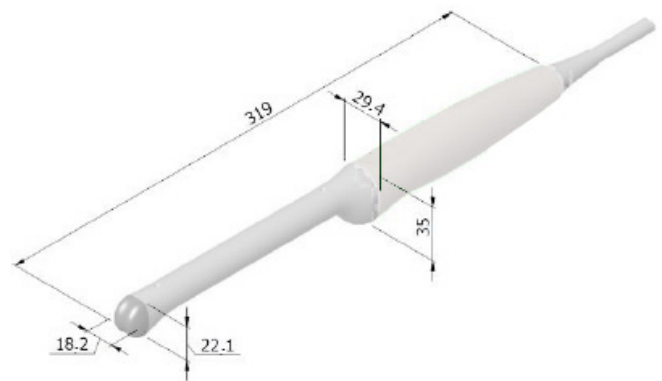


Figure 2: Dimensions (mm)